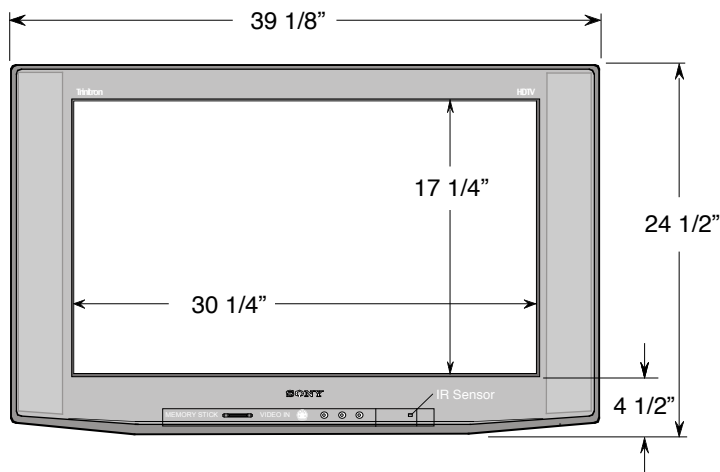


SONY KV-34XBR800

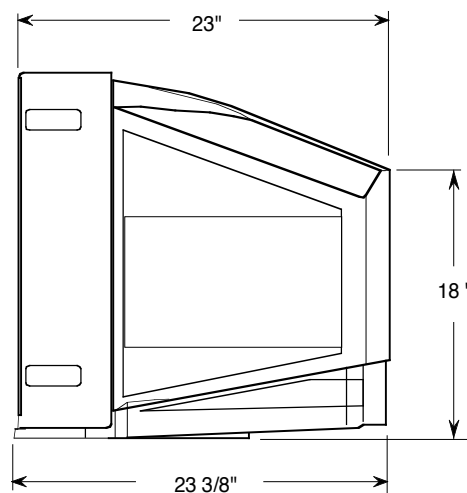
DESCRIPTION: 34" Trinitron® Monitor/Receiver
 DIMENSIONS (WHD): 39 1/8" x 24 1/2" x 23 3/8"
 WEIGHT: 206 lbs

POWER REQUIREMENTS: 120V AC 60Hz
 CONSUMPTION: 330w(max) 4w(stby)

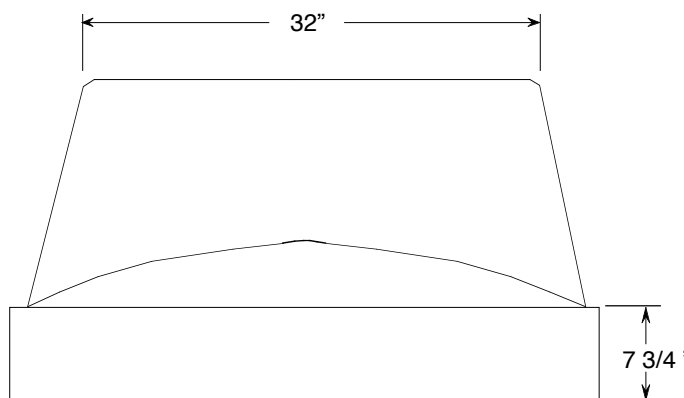
FRONT VIEW



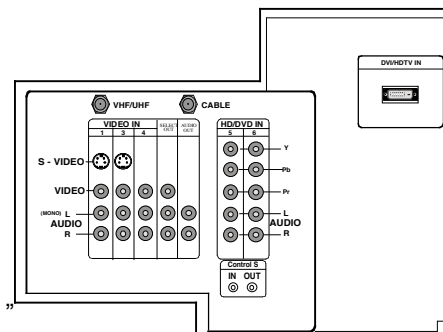
SIDE VIEW



TOP VIEW



JACK PACK



REVISED 09/10/02

NOTE :
 WHERE THERE ARE CLOSE TOLERANCES INVOLVED IN CABINET BUILDING OR APPLICATIONS WHICH REQUIRE A GREAT DEGREE OF PRECISION WE RECOMMEND THAT THE PRODUCT ITSELF BE USED TO MAKE THE ACTUAL MEASUREMENTS. SONY WILL NOT BE RESPONSIBLE FOR INACCURACIES IN THE DESIGN OR MANUFACTURE OF ENCLOSURES .