

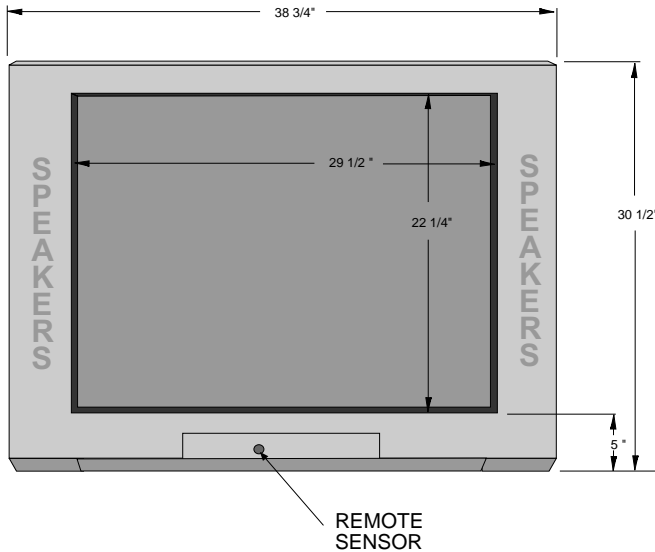
SONY KV-36FS100/200

DESCRIPTION: 36" Wega®
 DIMENSIONS: Monitor/Receiver
 (WHD): 38 3/4" x 30 1/2" x 25"
 WEIGHT: 220 lbs 7 oz

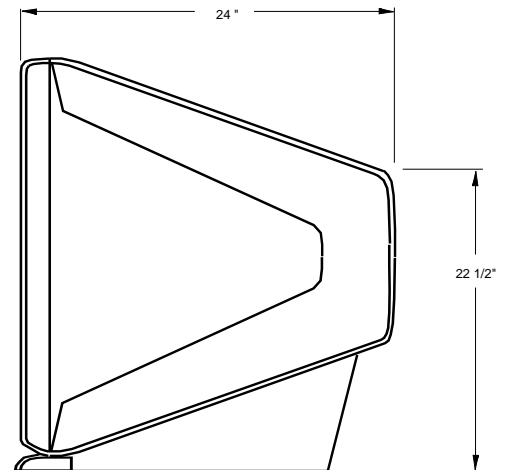
POWER REQUIREMENTS: 120VAC
 60Hz
 POWER CONSUMPTION: 230w
 1w(stby)

(FS100) RM-Y180 REMOTE
 (FS200) RM-Y181 REMOTE

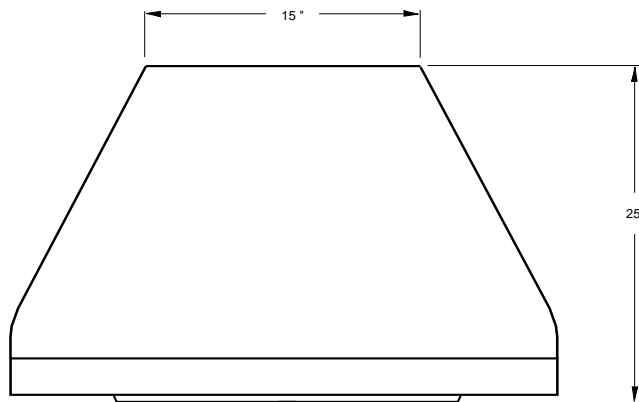
FRONT VIEW



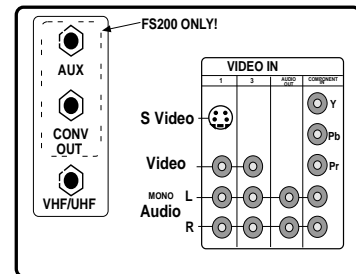
SIDE VIEW



TOP VIEW



JACK PACK



OPTIONAL STAND SU-36FS1

NOTE:
 WHERE THERE ARE CLOSE TOLERANCES INVOLVED IN CABINET BUILDING OR APPLICATIONS WHICH REQUIRE A GREAT DEGREE OF PRECISION WE RECOMMEND THAT THE PRODUCT ITSELF BE USED TO MAKE THE ACTUAL MEASUREMENTS. SONY WILL NOT BE RESPONSIBLE FOR INACCURACIES IN THE DESIGN OR MANUFACTURE OF ENCLOSURES .