

# SONY

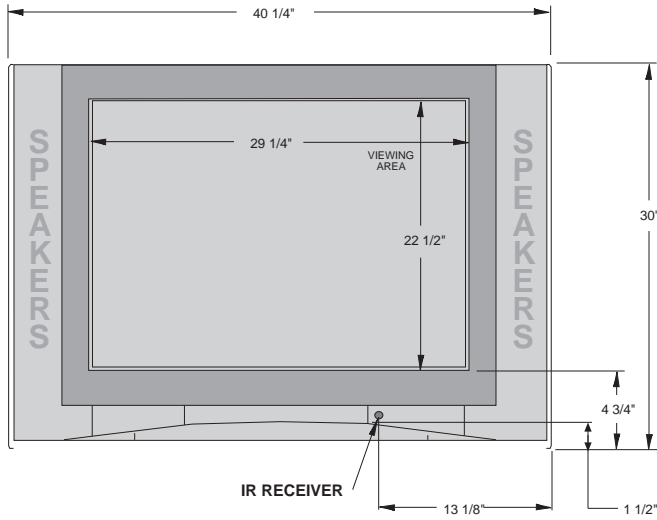
## KV-36FS320

### RM-Y180 REMOTE CONTROL

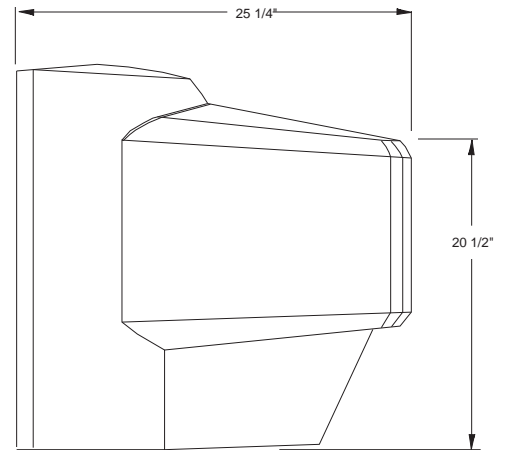
DESCRIPTION: 36" Wega®  
 DIMENSIONS Monitor/Receiver  
 (WHD): 40 1/4" x 30" x 25 1/4"  
 WEIGHT: 223 lbs

POWER REQUIREMENTS: 120VAC  
 60Hz  
 POWER CONSUMPTION: 200w  
 1w(stby)

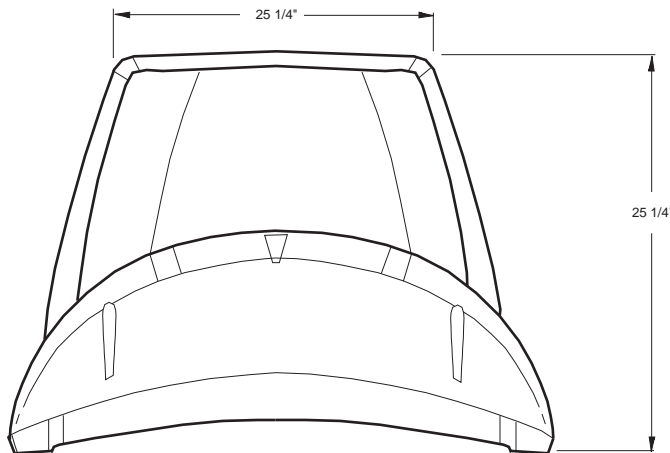
#### FRONT VIEW



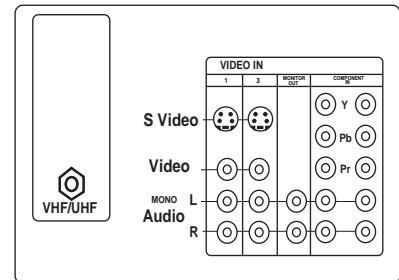
#### SIDE VIEW



#### TOP VIEW



#### JACK PACK



#### NOTE :

WHERE THERE ARE CLOSE TOLERANCES INVOLVED IN CABINET BUILDING OR APPLICATIONS WHICH REQUIRE A GREAT DEGREE OF PRECISION WE RECOMMEND THAT THE PRODUCT ITSELF BE USED TO MAKE THE ACTUAL MEASUREMENTS. SONY WILL NOT BE RESPONSIBLE FOR INACCURACIES IN THE DESIGN OR MANUFACTURE OF ENCLOSURES .