

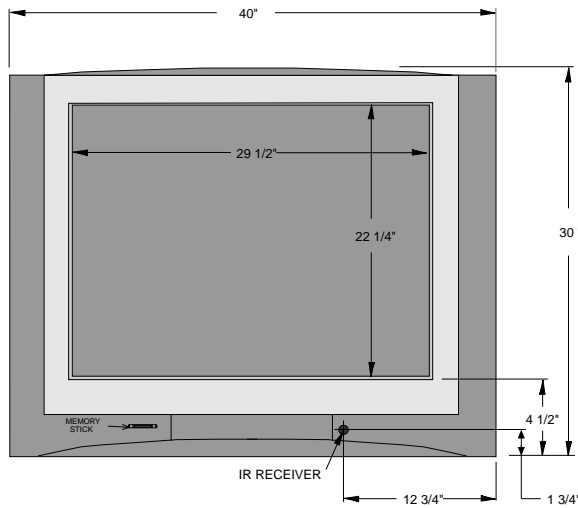
SONY

KV-36HS500

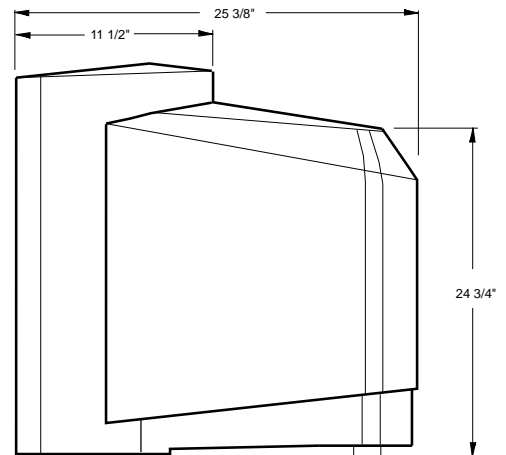
DESCRIPTION: 36" Wega® POWER
DIMENSIONS Monitor/Receiver REQUIREMENTS: 120VAC
(WHD): 40" x 30" x 25 3/8" POWER 60Hz
WEIGHT: 230 lbs CONSUMPTION: 200w
1w(stby)

RM-Y186 REMOTE CONTROL

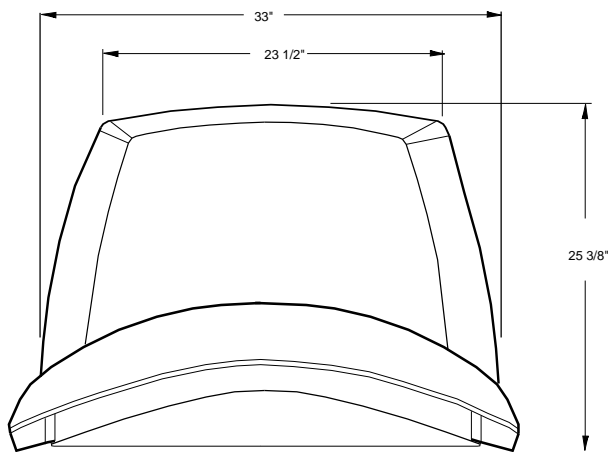
FRONT VIEW



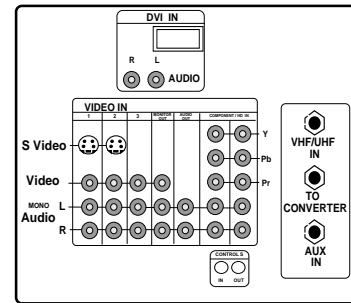
SIDE VIEW



TOP VIEW



JACK PACK



SU-36HV1 OPTIONAL STAND

NOTE:
WHERE THERE ARE CLOSE TOLERANCES INVOLVED IN CABINET BUILDING OR APPLICATIONS WHICH REQUIRE A GREAT DEGREE OF PRECISION WE RECOMMEND THAT THE PRODUCT ITSELF BE USED TO MAKE THE ACTUAL MEASUREMENTS. SONY WILL NOT BE RESPONSIBLE FOR INACCURACIES IN THE DESIGN OR MANUFACTURE OF ENCLOSURES .