

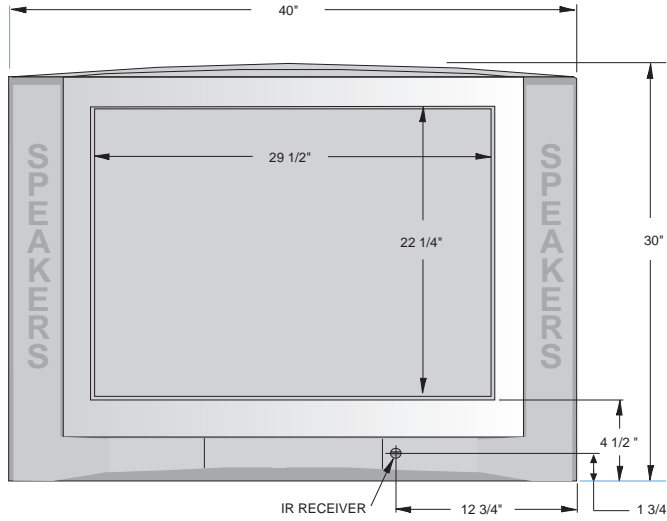
# SONY

## KV-36HS510

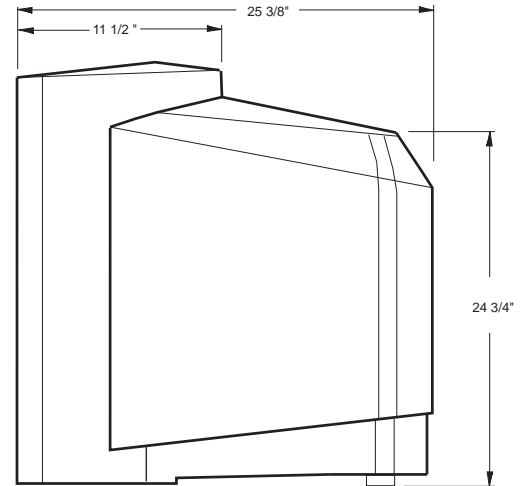
DESCRIPTION: 36" Wega®  
DIMENSIONS Monitor/Receiver  
(WHD): 40" x 30" x 25 3/8"  
WEIGHT: 230 lbs 6 oz

POWER REQUIREMENTS: 120VAC  
60Hz  
POWER CONSUMPTION: 280w  
1w(stby)

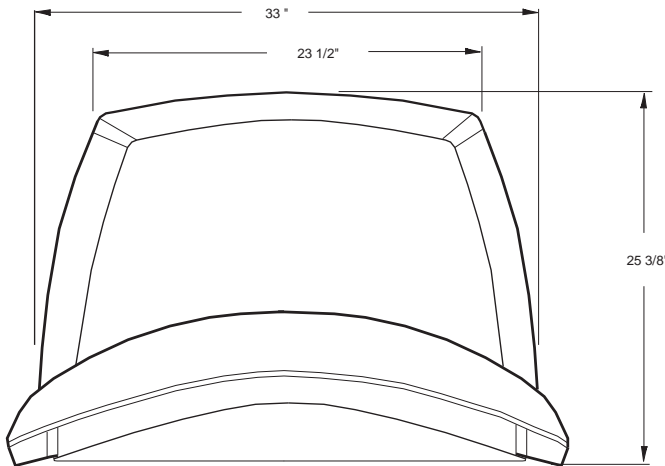
### FRONT VIEW



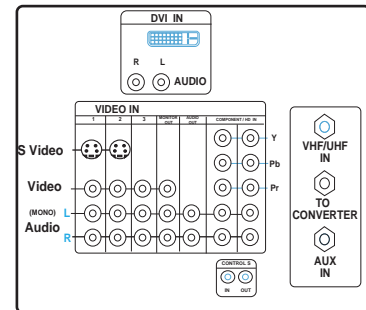
### SIDE VIEW



### TOP VIEW



### JACK PACK



**RM-Y188 SUPPLIED REMOTE**  
**OPTIONAL STAND SU-36HS1**  
**(WHD) 41 1/2" x 18 1/8" x 28 3/4"**

#### NOTE:

WHERE THERE ARE CLOSE TOLERANCES INVOLVED IN CABINET BUILDING OR APPLICATIONS WHICH REQUIRE A GREAT DEGREE OF PRECISION WE RECOMMEND THAT THE PRODUCT ITSELF BE USED TO MAKE THE ACTUAL MEASUREMENTS. SONY WILL NOT BE RESPONSIBLE FOR INACCURACIES IN THE DESIGN OR MANUFACTURE OF ENCLOSURES .