

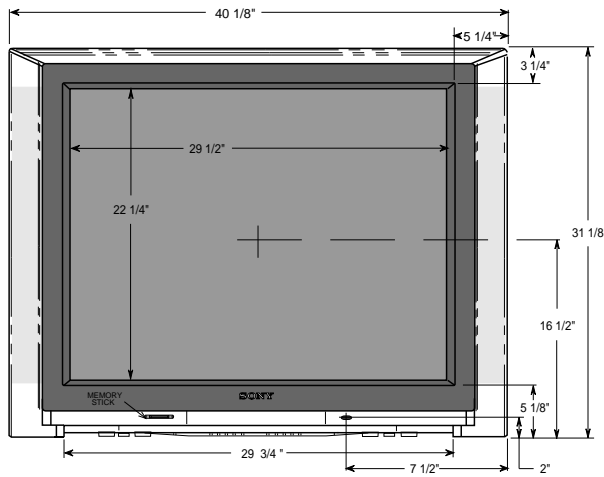
SONY

KV-36XBR800

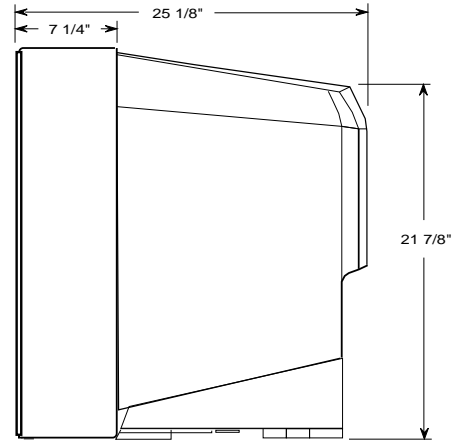
RM-Y187 REMOTE CONTROL

DESCRIPTION: 36" Wega® XBR Monitor/Receiver
DIMENSIONS (WHD): 40 1/8" x 31 1/8" x 25 1/8"
WEIGHT: 240 lbs
POWER REQUIREMENTS: 120VAC 60Hz
POWER CONSUMPTION: 245w 1w(stby)

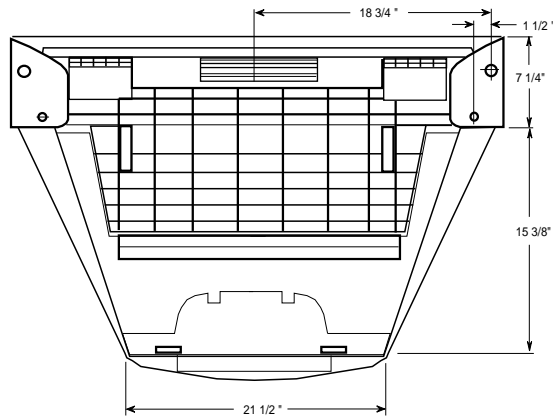
FRONT VIEW



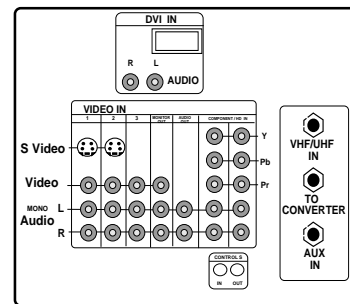
SIDE VIEW



BOTTOM VIEW



JACK PACK



MATCHING STAND SU-36XBR8

NOTE :
WHERE THERE ARE CLOSE TOLERANCES INVOLVED IN CABINET BUILDING OR APPLICATIONS WHICH REQUIRE A GREAT DEGREE OF PRECISION WE RECOMMEND THAT THE PRODUCT ITSELF BE USED TO MAKE THE ACTUAL MEASUREMENTS. SONY WILL NOT BE RESPONSIBLE FOR INACCURACIES IN THE DESIGN OR MANUFACTURE OF ENCLOSURES .