

SONY

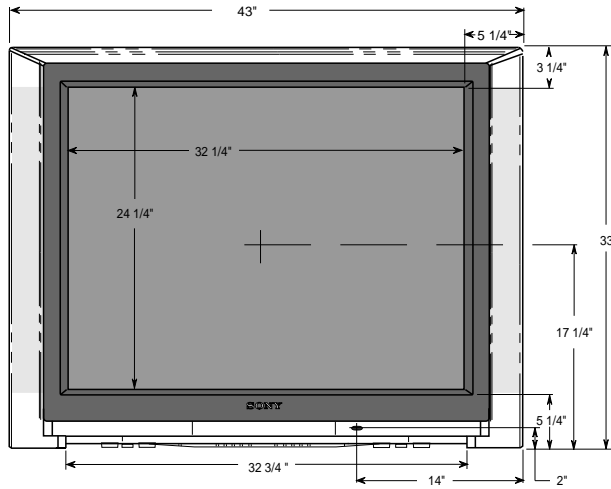
KV-40XBR800

RM-Y187 REMOTE CONTROL

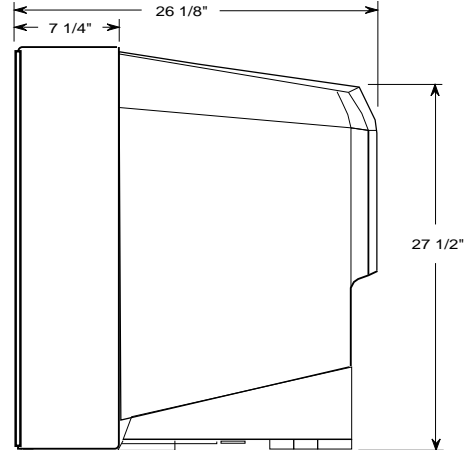
DESCRIPTION: 40" Wega® XBR Monitor/Receiver
 DIMENSIONS (WHD): 43 1/8" x 33" x 26 1/8"
 WEIGHT: 304 lbs

POWER REQUIREMENTS: 120VA/60Hz
 POWER CONSUMPTION: 245w
 1w(stby)

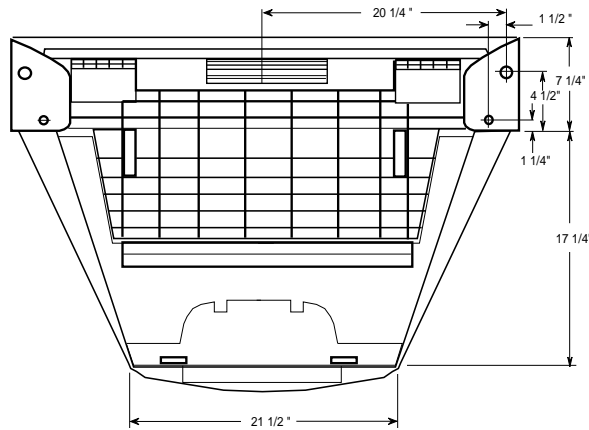
FRONT VIEW



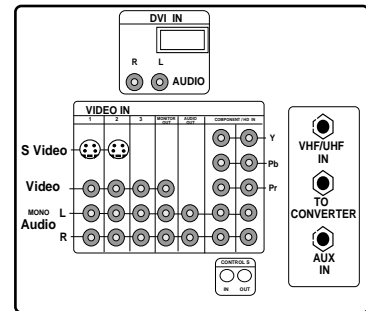
SIDE VIEW



TOP VIEW



JACK PACK



MATCHING STAND SU-40XBR8

NOTE :

WHERE THERE ARE CLOSE TOLERANCES INVOLVED IN CABINET BUILDING OR APPLICATIONS WHICH REQUIRE A GREAT DEGREE OF PRECISION WE RECOMMEND THAT THE PRODUCT ITSELF BE USED TO MAKE THE ACTUAL MEASUREMENTS. SONY WILL NOT BE RESPONSIBLE FOR INACCURACIES IN THE DESIGN OR MANUFACTURE OF ENCLOSURES .