



Quick Start Guide

LocationFree Base Station LF-B20

* For more details, please refer to the Operating Instructions installed on the CD-ROM which is enclosed in the package.

"LocationFree" is a trademark of Sony Corporation.
"PlayStation" and "PSP" are registered trademarks of Sony Computer Entertainment Inc.
Microsoft and Windows are registered trademarks of Microsoft Corporation in the United States and other countries.
All other company names and product names mentioned here may be the trademarks or registered trademarks of their respective companies.
The symbols for ™ and ® are omitted in these instructions.

©2006 Sony Corporation Printed in Japan

Before you start setting up the LocationFree Base Station, please check the followings

Check the content of the package

- LF-B20 LocationFree Base Station
- AC-LX1B AC adapter
- Power cord
- LocationFree Base Station stand
- LocationFree Player software CD-ROM LFA-PC20 (It includes an Operating Instructions and a serial key)
- IR blaster
- Quick Start Guide
- Warranty

The sticker on the surface of the LocationFree Base Station contains the information which is necessary for setting up the LocationFree Base Station.

Note: Please be sure to handle the information, which is necessary for registering your client device(s) to the LocationFree Base Station, with care. Disclosing such information to stranger(s) may result in allowing them to register their client device(s) without your permission. For more details, please refer to the Operating Instructions which is installed on the LocationFree Player CD-ROM.

Preparation of the LocationFree client device

Please prepare one of the following LocationFree client devices (some of the client devices listed below may require a LFA-PC20 LocationFree Player software which is enclosed in the package).

- **Windows PC**
If you intend to use a wireless connection to connect the LocationFree Base Station to your wireless router, you will need a LFA-PC20 LocationFree Player software which is enclosed in the package.
- **PSP® (PlayStation® Portable)**
Please upgrade the software installed on a PSP® to the latest version.
- **Please refer to the following website for more details about other LocationFree client devices.**
URL: sony.com/locationfree

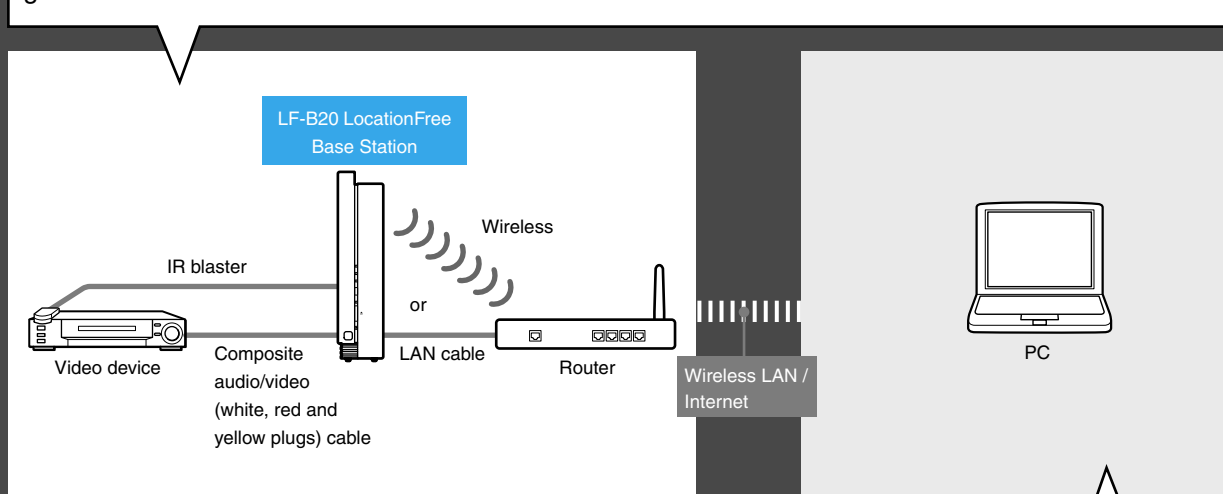
Other necessary items

- LAN cable**
Use the LAN cable to connect the LocationFree Base Station to your router. Use the LAN cable also to tentatively connect the LocationFree Base Station to your wireless router for the initial setup.
- Composite audio / video cable**
Use the composite audio/video cable to connect the LocationFree Base Station to your audio / video devices.
- Broadband router (for use on the go)**
Use the broadband router to access the video content from the LocationFree Base Station over the Internet (a Uppnp-enabled router is recommended. Please visit our website for more details: sony.com/locationfree)

How to use this guide

Connecting / Setting up the LocationFree Base Station

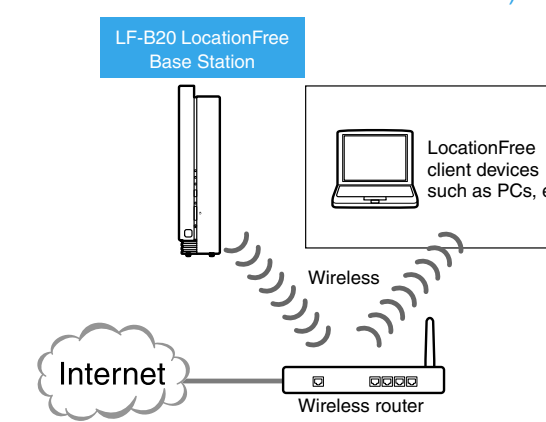
Connect the LocationFree Base Station to your audio/video devices and to your network based on this guide.



For connecting your client device(s) to the LocationFree Base Station and for the settings of your client device(s), please refer to the Operating Instructions installed on the CD-ROM which is enclosed in the package.

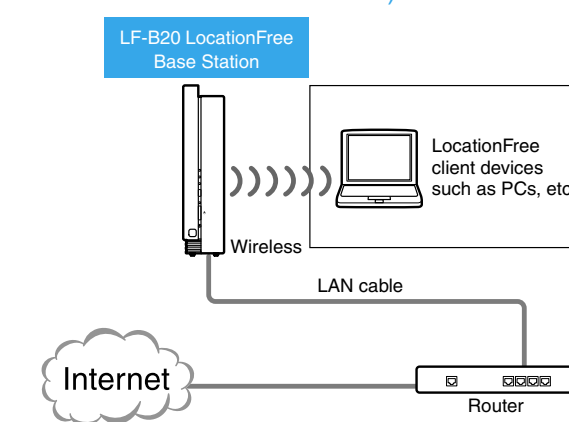
Check the connection of the LocationFree Base Station to your LocationFree client devices

TYPE A Connect the LocationFree Base Station to your wireless router wirelessly (switch the LocationFree Base Station to "CLIENT" mode).



- 1 Connecting the LocationFree Base Station to your wireless router.
- 2 Plugging the LocationFree Base Station.

TYPE B Connect the LocationFree Base Station to your router using a LAN cable (switch the LocationFree Base Station to "AP" mode).

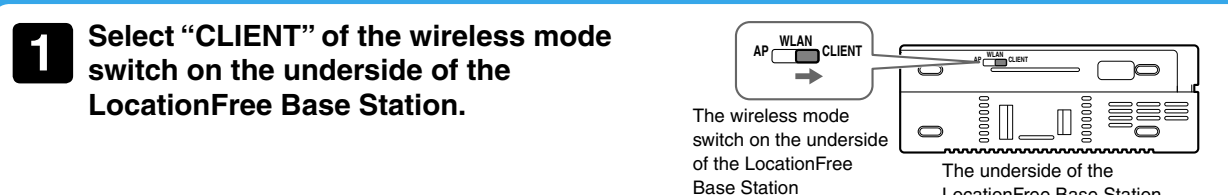


- 1 Plugging the LocationFree Base Station.
- 2 You do not need to connect the LocationFree Base Station to your router if you intend to connect the LocationFree Base Station directly to your client device(s).

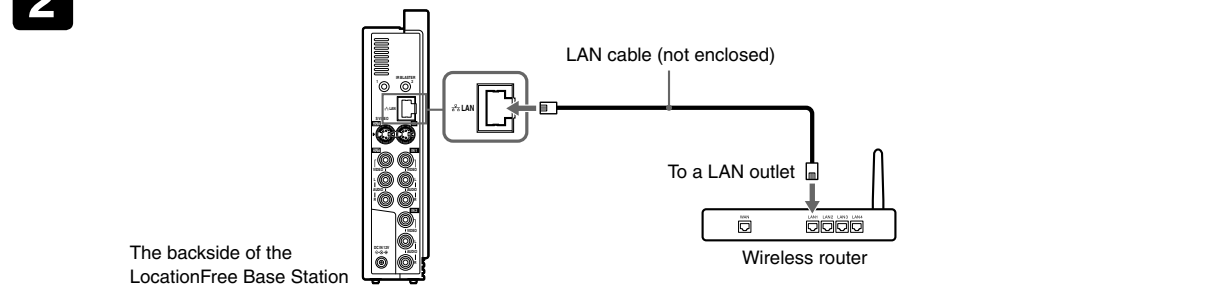
1 Connecting the LocationFree Base Station to your wireless router

Tentatively connect the LocationFree Base Station to your wireless router to complete the necessary settings. After you complete the settings, move the LocationFree Base Station close to your audio / video device(s). Proceed to the "2 Plugging the LocationFree Base Station" and complete the necessary settings.

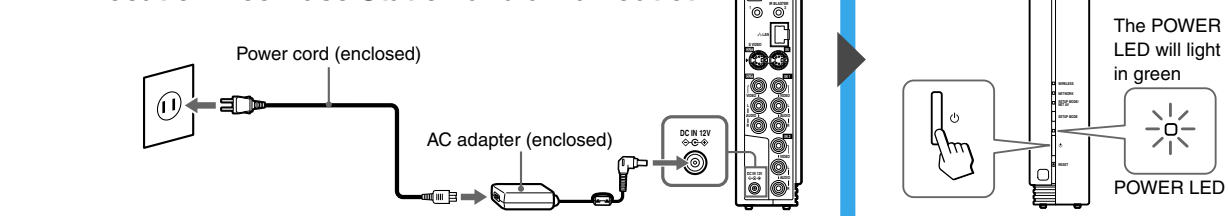
Use the LFA-PC20 LocationFree Player software for Windows PC to complete the settings.



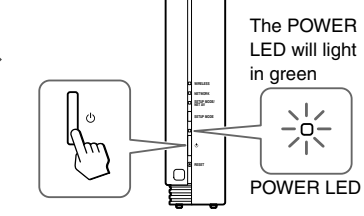
2 Connect the LocationFree Base Station to your wireless router using a LAN cable.



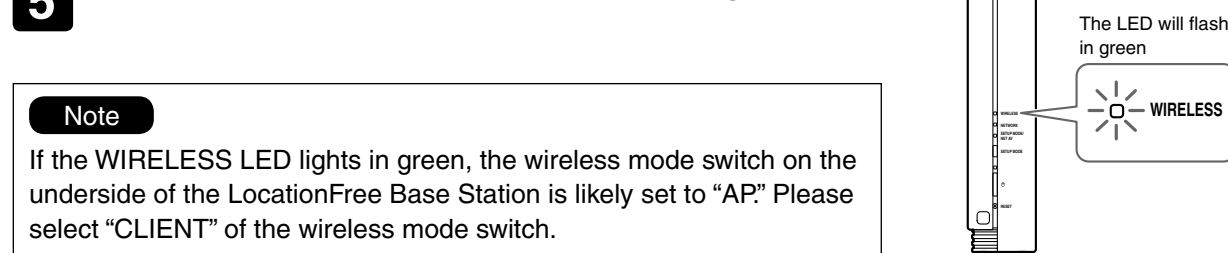
3 Connect the power cord and the adapter to the connector on the back panel of the LocationFree Base Station and a wall outlet.



4 Turn on the power.



5 Check to see if the WIRELESS LED flashes in green.

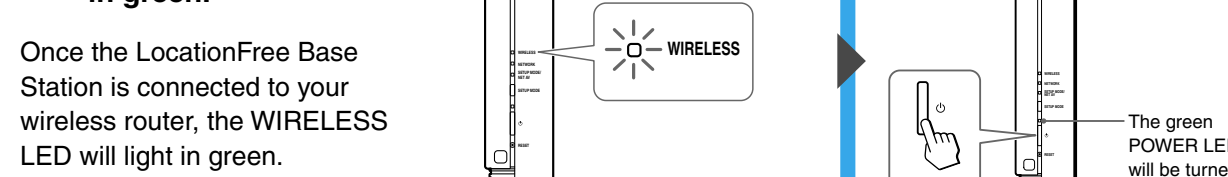


6 Install the LFA-PC20 LocationFree Player software on your PC to connect the LocationFree Base Station to your wireless router wirelessly.

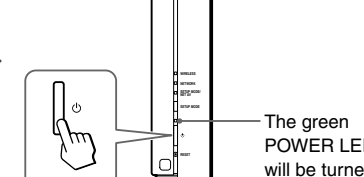
Insert the LFA-PC20 LocationFree Player disc into the disc drive of your PC, open the Player software and follow the steps which will appear automatically. Follow the instructions on the LocationFree Base Station Settings page for the Wireless CLIENT settings via a web browser on your PC.



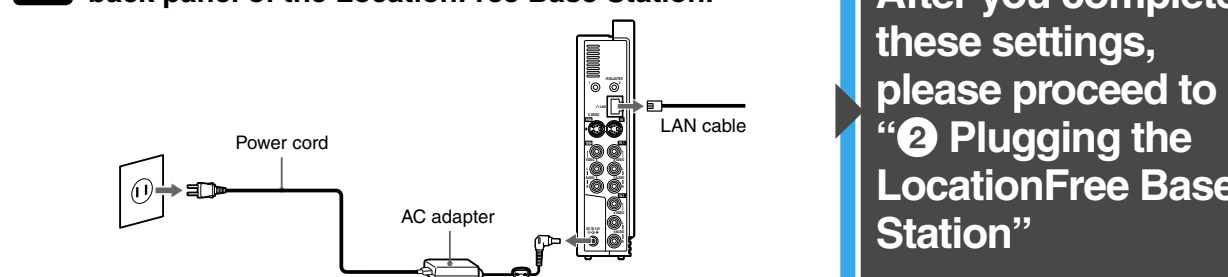
7 Check to see if the WIRELESS LED lights in green.



8 Turn off the power.



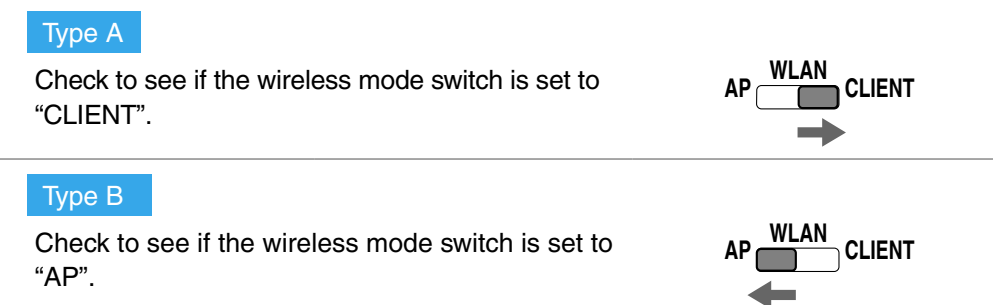
9 Unplug the LAN cable and the AC adapter from the back panel of the LocationFree Base Station.



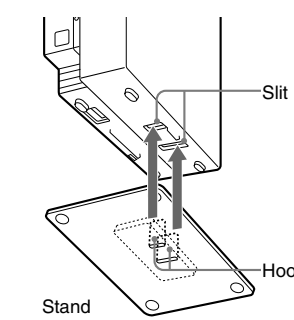
After you complete these settings, please proceed to "2 Plugging the LocationFree Base Station"

2 Plugging the LocationFree Base Station

1 Check the wireless mode switch on the underside of the LocationFree Base Station.



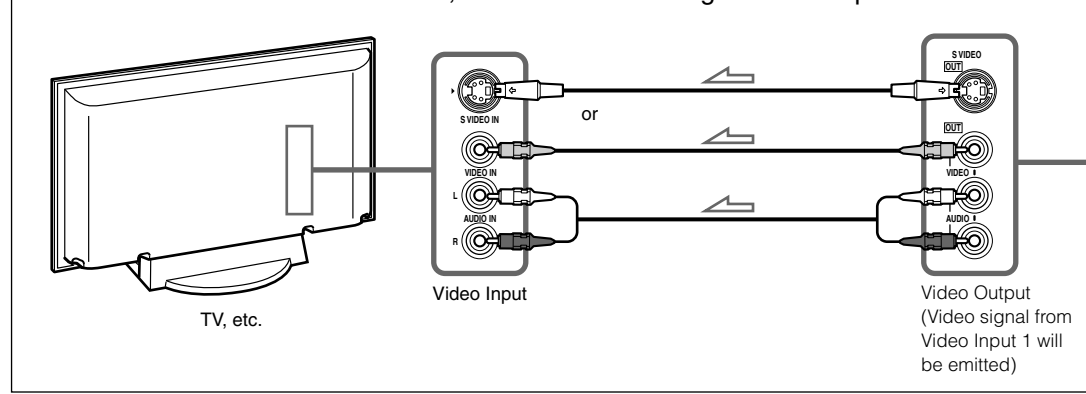
2 Attach the LocationFree Base Station stand to the LocationFree Base Station.



3 Connect the LocationFree Base Station to your audio/video devices.

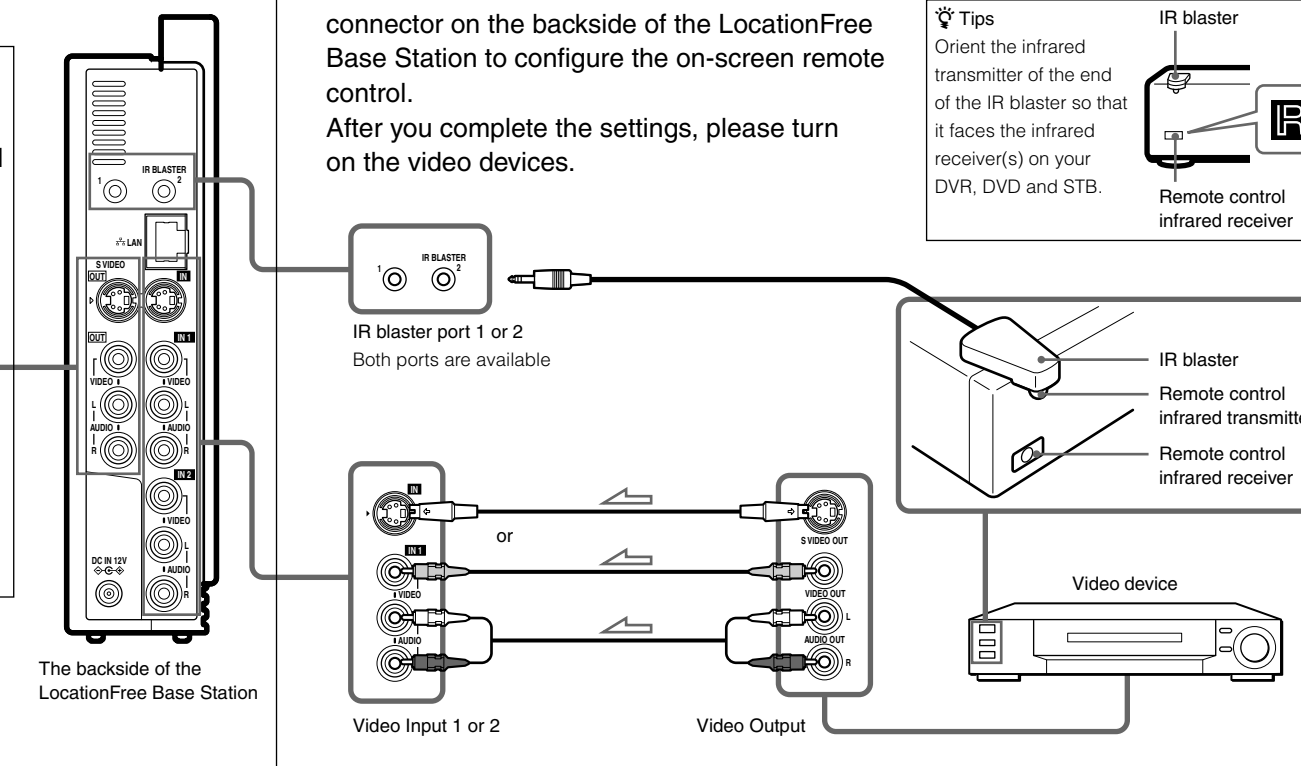
Connect an STB and/or a DVR to the output plug on the back panel of the LocationFree Base Station.

Video signal from the video device, which is plugged to Video Input 1 on the back panel of the LocationFree Base Station, will be emitted through Video Output.

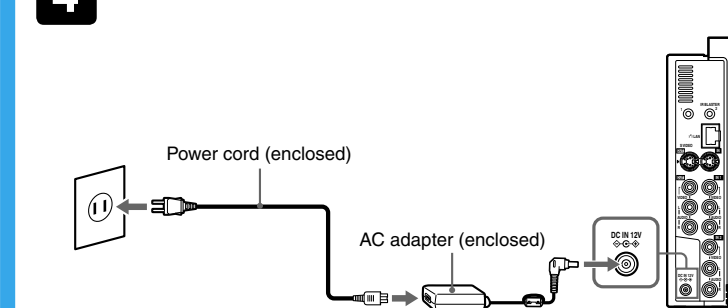


Connecting the LocationFree Base Station to your video devices.

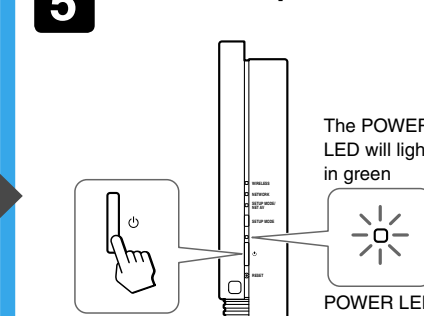
Connect the LocationFree Base Station to your DVR and STB. Connect the IR blaster to the IR blaster connector on the backside of the LocationFree Base Station to configure the on-screen remote control. After you complete the settings, please turn on the video devices.



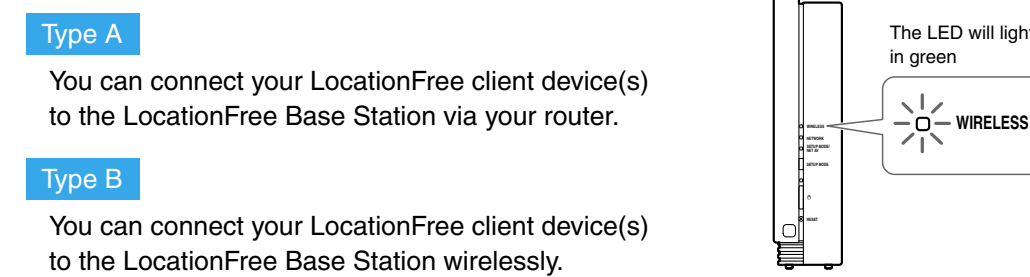
4 Plug the power cord.



5 Turn on the power.



6 Make sure that the WIRELESS LED lights in green.



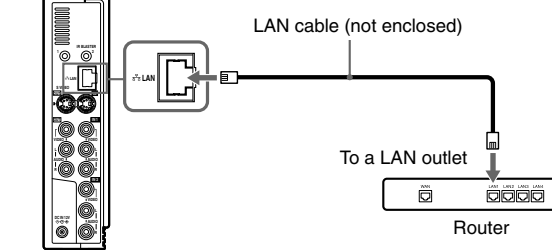
Note: The flashing WIRELESS LED will be lit eventually. If the WIRELESS LED keeps on blinking, that indicates the LocationFree Base Station is not receiving the electric wave from your router. Please check to see if the LocationFree Base Station and your router are closely located.

Tips: The WIRELESS LED will light in green when using the IEEE802.11g wireless connection within the 2.4 GHz bandwidth. The WIRELESS LED lights in orange when using the IEEE802.11a wireless connection within the 5 GHz bandwidth. The bandwidth can be set in the wireless settings of the LocationFree Base Station.

Your setup to watch video content at home is complete. Please proceed to the next steps if you wish to watch video content on the go.

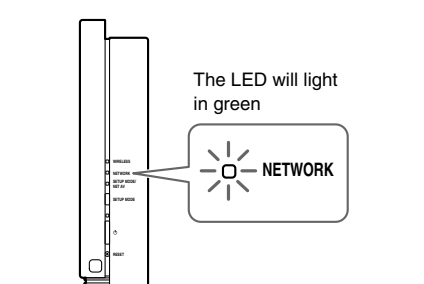
7 Use a LAN cable to connect the LocationFree Base Station to your router.

For Type B users only. For Type A users, skip to step 8



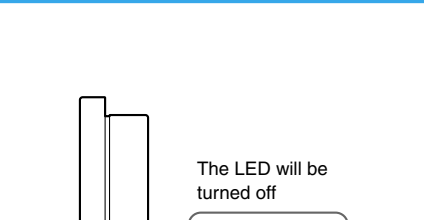
8 Make sure that the NETWORK LED lights in green.

Note: The NETWORK LED will flash in green while the IP address is being obtained. Obtaining the IP address may take a while.



9 Make sure that the SETUP MODE / NET AV LED turns off.

The flashing SETUP MODE/NET AV LED will be turned off when you complete the settings for watching video content from the LocationFree Base Station on the go.



Note: The settings are incomplete when the SETUP MODE/NET AV LED lights in orange. Please read the Operating Instructions installed on the CD-ROM which is enclosed in the package.

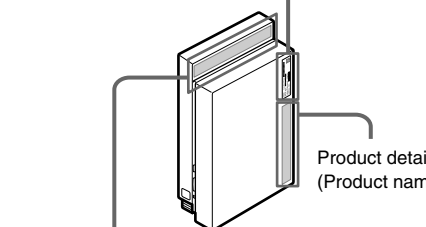
Before you begin to set up the LocationFree Base Station:

Please install the LFA-PC20 LocationFree Player software (the enclosed CD-ROM) on your PC.

After you complete the software installation, click the LocationFree icon on your PC desktop and start the LocationFree Player. Follow the instructions after the LocationFree Player window opens.

SSID: LocationFree, *****
WEP Key: *****
Login/Password: ABCD
SERIAL NO.: 0000000

Type B Using a wireless connection to connect the LocationFree Base Station to your PC: Before you start the LocationFree Player, please connect your PC to the LocationFree Base Station wirelessly using the information (e.g. SSID, WEP Key) indicated on the sticker which is attached to this guide or to the side of the LocationFree Base Station.



* For more details about the wireless connection settings, please refer to the Operating Instructions of your wireless LAN device such as your PC or LAN card.

For Help: Please refer to the Operating Instructions installed on the LFA-PC20 LocationFree Player CD-ROM or visit our website at : sony.com/locationfree

