


# Quick Start Guide

---


## for LocationFreeTV LF-X1/LF-X5


To set up your LocationFreeTV, follow these steps:

- 

Connecting to a TV Antenna, Set Top Box (STB) or Other Devices.
  - 

Connecting the Power Cord, Inserting the Battery into the Monitor.
  - 

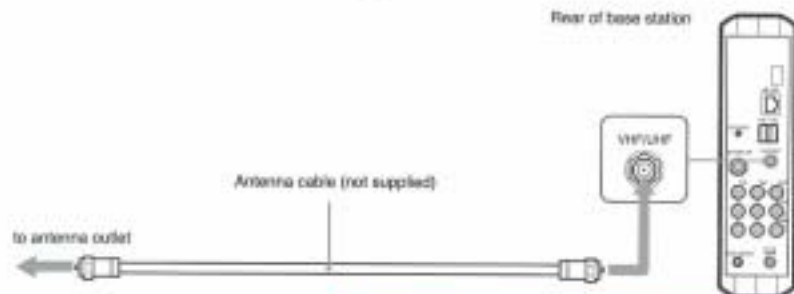
Turning on the Power.
  - 

Setting up TV Channels and On-screen Remote.
  - 

Connecting to the Internet.
- Set up is finish.  
Let's start enjoying LocationFreeTV.

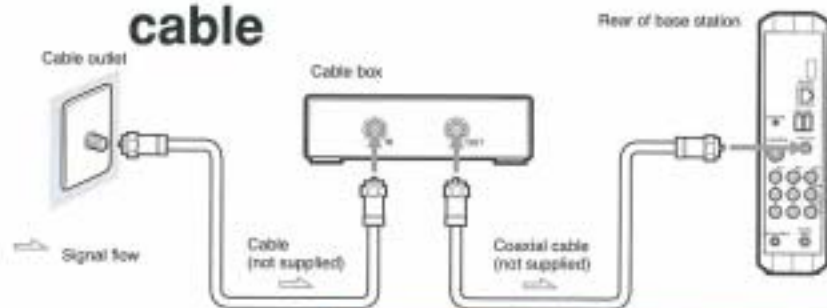
# ① Connecting to a TV Antenna, Set Top Box (STB)\* or Other Devices \*Cable and Satellite Set Top Box

## A. Connecting TV antenna



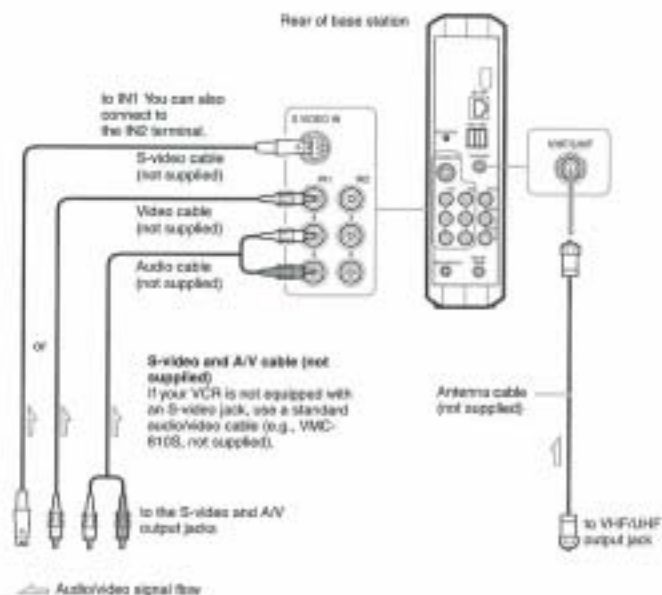
→ for further set up, please see ④A.

## B. Connecting external TV tuner (STB) or VCR via antenna cable



→ for further set up, please see ④A, B&C.

## C. Connecting other devices via A/V cable

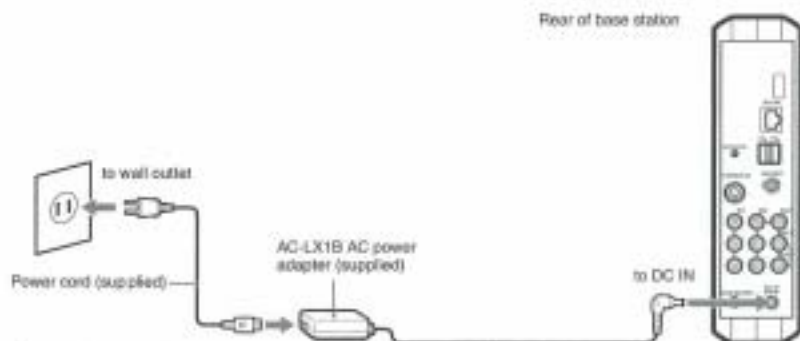


→ for further set up, please see ④B&C.

## ② Connecting the Power Cord, Inserting the Battery into the Monitor

### 1. Connecting the power cord to the base station

**Note** Power turns on automatically when plugging in for the first time.



Connect the power cord to the base station AC power adapter (AC-LX1B), and the AC power adapter to the DC IN jack on the base station, then plug the power cord into a wall outlet.

### 2. Inserting the battery into the monitor

Place the monitor on a soft cloth with the LCD screen down.

**LF-X1**

Ribbed surface should be facing upward.



Slide the battery into the compartment as far as it goes (keep the monitor stand closed when inserting the battery).

**LF-X5**

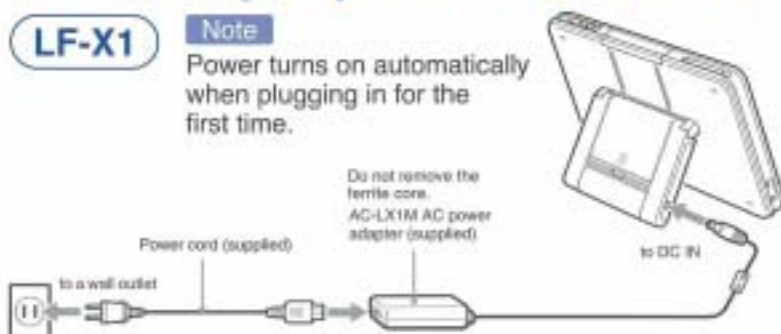


From the bottom of the compartment, slide the battery into the monitor until it clicks into place. Slide the LOCK/UNLOCK latch into the LOCK position.

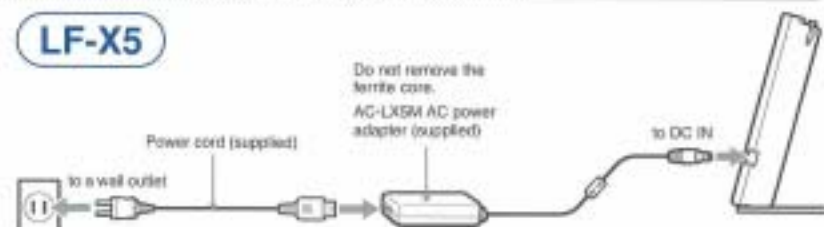
### 3. Connecting the power cord to the monitor

**LF-X1**

**Note** Power turns on automatically when plugging in for the first time.



**LF-X5**

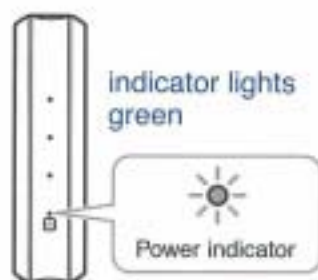
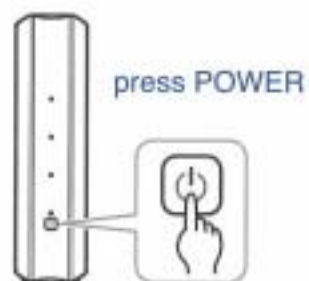


AC power adapter for

Base station — **AC-LX1B**  
 Monitor (LF-X1) — **AC-LX1M**  
 (LF-X5) — **AC-LX5M**

### ③ Turning on the Power

#### base station



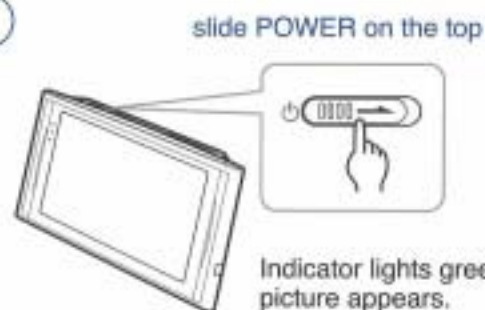
#### monitor

##### LF-X1



Indicator lights green and TV picture appears.

##### LF-X5



Indicator lights green and TV picture appears.

## ④ Setting up TV Channels and On-screen Remote

### A. Setting up TV channels

1. Remove stylus, then touch anywhere on the screen.

LF-X1



LF-X5



2. Select [Settings] at the bottom right of the screen.



3. Select [TV/Video] → [Channel Settings] → Select [Cable] [ON] or [OFF], then [Auto Program].



Scanning may take several minutes.

•if you connect STB as ① B, please select [CABLE] [OFF], turn on STB power switch and then [Auto Program]

4. When scanning completed, message "Automatic channel scan has finished" appears. Select OK and go back.

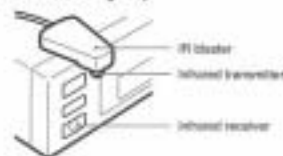
### B. Setting up IR blaster

An IR blaster allows you to make LocationFreeTV remote controlling other devices.

1. Connect the IR blaster to the IR BLASTER port on the base station.



2. Position the IR blaster above the infrared receiver on the external device. (do not remove the backing from the IR blaster yet)



3. After checking the operation (see C.), remove the backing paper from the IR blaster and place in a appropriate position.



## ④ Setting up TV Channels and On-screen Remote (Continued)

### C. Setting On-screen Remote

1. Touch screen and select [Settings] at the bottom right of the screen.



#### Note

If you are connected to a STB or VCR using ① B, be sure the picture showing is coming from either devices. If not, please see the instruction manual for the connection.

2. Select [TV/Video]  
→ [Remote Settings]  
→ select [TV], [Video1]  
or [Video2] depending  
on which connect  
the equipment.



3. Lists for the make and type of devices will appear. Make the appropriate selections and then select [Power].



4. When the device is configured correctly, you can turn it on and off by selecting [Power]. If selecting [Power] several times doesn't turn on and off the connected device, make sure the make and type you have selected are correct.

#### Note

Some devices may not have a [Power] button (e.g. DVR). In this case, as well, use the on-screen remote to display [Video1] or [Video2] and confirm that the buttons are enabled.

5. Press [Index] button, select [TV], or the type of the connected device then touch anywhere on the screen. The on-screen remote control appears.



## ⑤ Connecting to the Internet

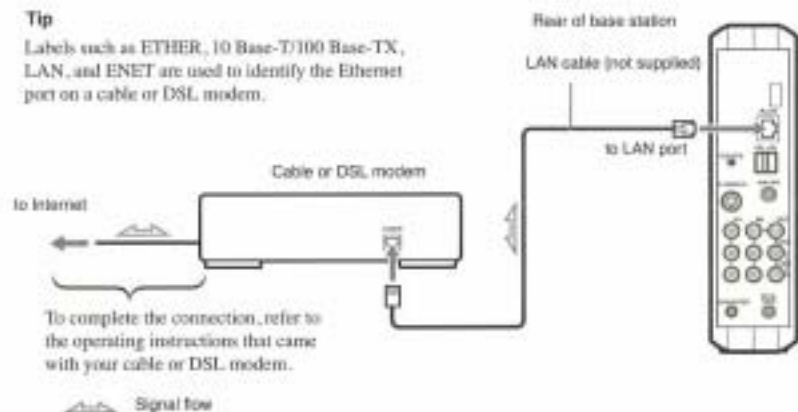
Connecting to the internet varies depending on your internet service provider (ISP). You may need to contact ISP for further information.

### A. Connecting through a LAN cable

If your cable/DSL modem is connected to another device (such as a PC), you will have to purchase a router and refer to ⑥B.

#### Tip

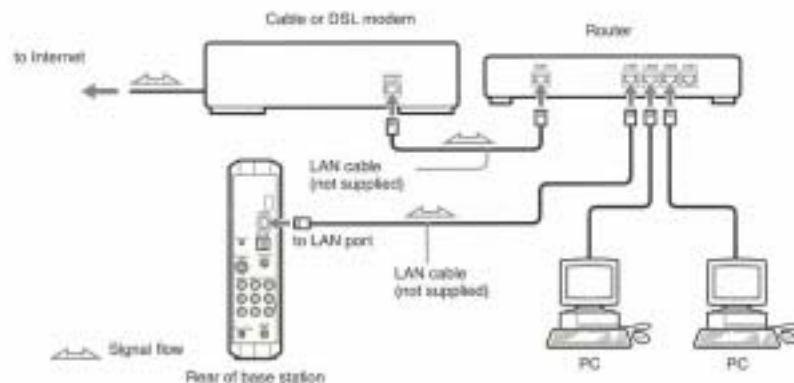
Labels such as ETHER, 10 Base-T/100 Base-TX, LAN, and ENET are used to identify the Ethernet port on a cable or DSL modem.



To complete the connection, refer to the operating instructions that came with your cable or DSL modem.

 Signal flow

### B. Connecting two or more devices to a modem with a router



When the LAN cable is connected properly, the internet LED on the front will start blinking. Then it will turn light green when an internet connection is established.

## Contact for further information

If you have additional questions related to the use of your LocationFreeTV after reading this Quick Start Guide and the Operating Instructions, please call our Customer Information Services Center.

**Please call at:**

**Customer Information Services Center:**

**1-800-222-SONY(7669)** (US residents only) or

**1-877-899-SONY(7669)** (Canadian residents only)

**LocationFreeTV website:**

**[www.sony.com/locationfree/](http://www.sony.com/locationfree/)**