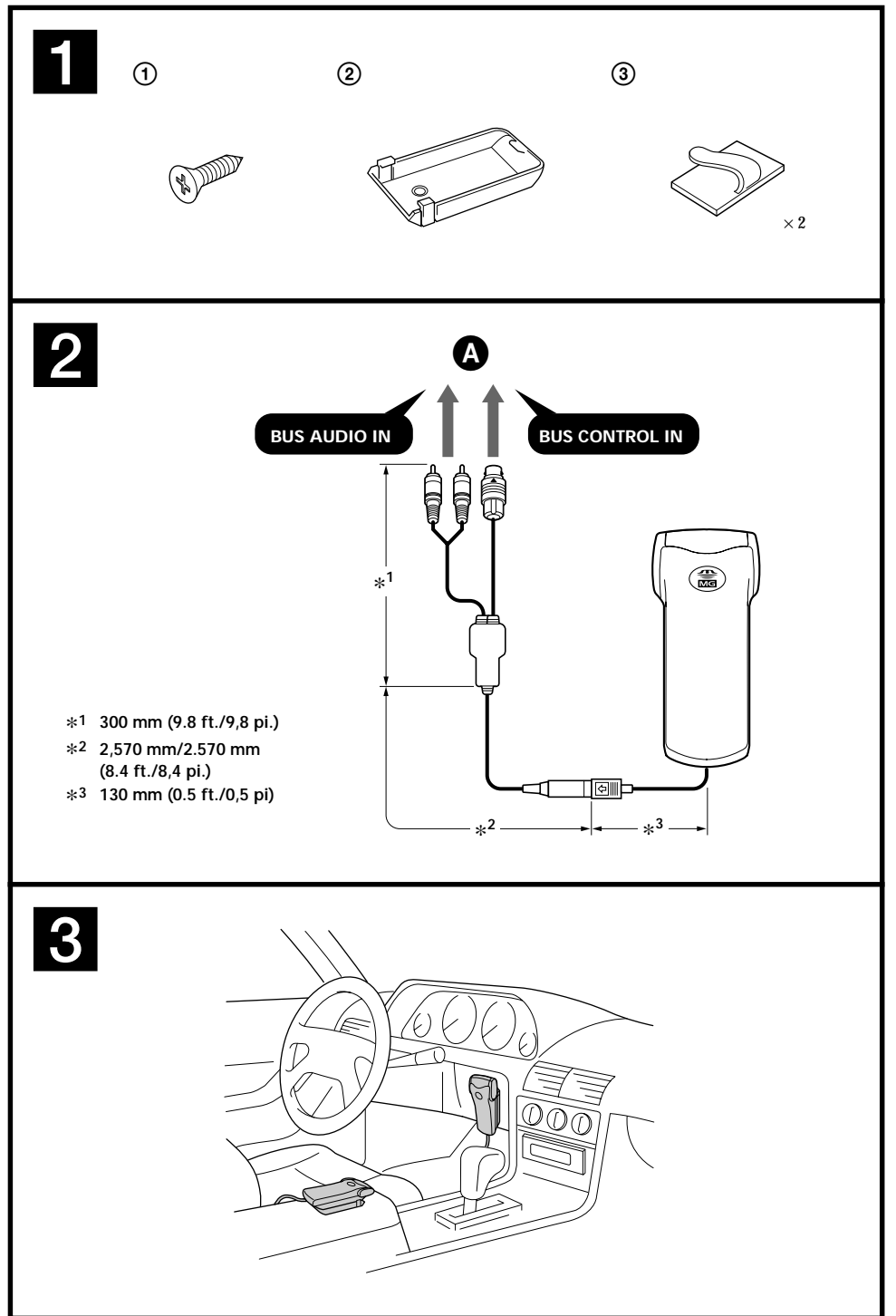


# MG Memory Stick System-up Player

Installation/Connections  
 Installation/Connexions  
 Instalación/Conexiones  
 Installation/Anschluß  
 Montage/Aansluitingen  
 Installazione/Collegamenti

## MGS-X1

Sony Corporation © 2001 Printed in Japan



### Parts list (1)

The numbers in the list are keyed to those in the instructions.

### Connection (2)

For details, refer to the Installation/Connections manual of each product. For specifications of optional accessories, consult your dealer.

- ➊ To the car audio (the master unit) or the source selector compatible with the Sony Bus.

**Notes**

- You can only connect one MGS-X1 to the source selector (optional).
- Be sure to insert each connector securely, as vibration through driving may cause a poor connection.
- To connect this unit to the CD/MD changer, the source selector XA-C30 (optional) is necessary.

### Mounting example (3)

Installing the unit in the centre console etc. for easy operation.

### Liste des composants (1)

Les numéros de la liste correspondent à ceux des instructions.

### Connection (2)

Pour plus de détails, consulter le manuel d'installation/connexions de chaque produit. ##<FR-1>##

- ➊ Vers le système audio voiture (appareil principal) compatible avec le bus Sony ou le sélecteur de source.

**Remarques**

- ##<FR-2>##
- ##
- ##

### Exemple de montage (3)

##<FR-3>##

### Lista de componentes (1)

Los números de la lista corresponden a los de las instrucciones.

### Connection (2)

Con respecto a los detalles, consulte el manual de instalación/conexiones de cada producto. ##<ES-1>##

- ➊ Al sistema de audio del automóvil (unidad principal) compatible con el Bus de Sony o con el selector de fuente.

**Notas**

- ##<ES-2>##
- ##
- ##

### Ejemplo de montaje (3)

##<ES-3>##

### Teilleiste (1)

Die Nummern in der Liste sind dieselben wie im Erläuterungstext.

### Connection (2)

Einzelheiten entnehmen Sie der Installations-/Anschlußanleitung des betreffenden Geräts. ##<DE-1>##

- ➊ an Autoanlage (Hauptgerät), die mit dem Sony-Bus oder dem Signalquellenwähler kompatibel ist.

**Hinweis**

- ##<DE-2>##
- ##
- ##

### Anschlußbeispiel (3)

##<DE-3>##

### Onderdelenlijst (1)

De nummers in de afbeelding verwijzen naar die in de montage-aanwijzingen.

### Connection (2)

Zie voor nadere bijzonderheden de gebruiksaanwijzing voor installatie en aansluitingen van de aan te sluiten apparatuur. ##<NL-1>##

- ➊ Op het car audiosysteem (hoofdtoestel) dat compatibel is met Sony Bus of de bronkeuzeschakelaar

**Opmerkingen**

- ##<NL-2>##
- ##
- ##

### Voorbeeldaansluitingen (3)

##<NL-3>##

### Elenco dei componenti (1)

I numeri nell'elenco corrispondono a quelli riportati nelle istruzioni.

### Connection (2)

Per i dettagli, fare riferimento al manuale di installazione/collegamenti dell'autoradio. ##<IT-1>##

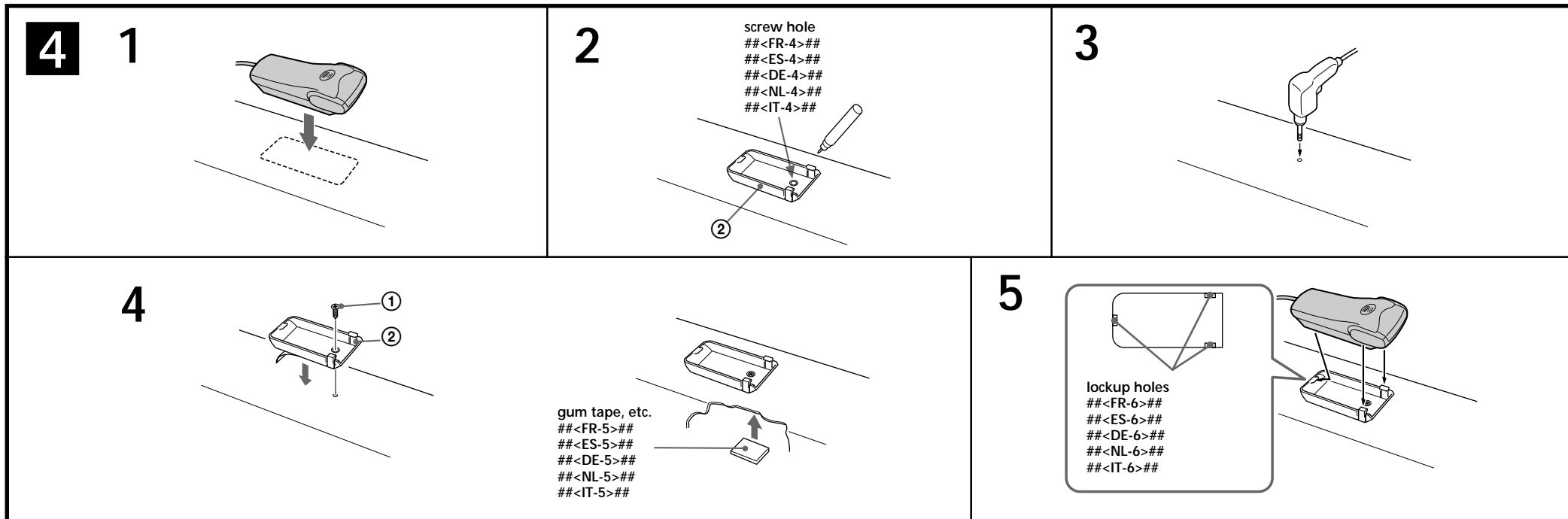
- ➊ All'autoradio (unità principale) compatibile con bus Sony o con il selettore di sorgente.

**Notas**

- ##<IT-2>##
- ##
- ##

### Esempi di collegamento (3)

##<IT-3>##



**4** 1

**2**  
 screw hole  
 ##<FR-4>##  
 ##<ES-4>##  
 ##<DE-4>##  
 ##<NL-4>##  
 ##<IT-4>##

**3**

**4**

gum tape, etc.  
 ##<FR-5>##  
 ##<ES-5>##  
 ##<DE-5>##  
 ##<NL-5>##  
 ##<IT-5>##

**5**  
 lockup holes  
 ##<FR-6>##  
 ##<ES-6>##  
 ##<DE-6>##  
 ##<NL-6>##  
 ##<IT-6>##

**Precautions**

- Choose the mounting location carefully, observing the following:
  - Do not install the unit where;
    - it will interfere with normal driving operations.
    - it will injure driver or passengers.
    - the ambient temperature exceeds 55 °C (131 F°).
    - it will be exposed to direct sunlight or hot air from a heater.
    - it will be exposed to rain, water, or high humidity.
    - it will be exposed to a lot of dust.
    - it will become magnetized.
    - it will be subject to excessive vibration.
    - there are wire harnesses or pipelines under the place.
    - it will jam any working parts of the car.
    - it will get the wires under a screw, or caught in moving parts.
- Use only the supplied mounting hardware for a safe and secure installation.
- If the unit is installed at an angle, when inserting and removing the “MG Memory stick,” take care not to drop it.

**Precauciones**

- ##<ES-7>##

**Instalación (4)**

##<ES-8>##

**Voorzorgsmaatregelen**

- ##<NL-7>##

**Installeren (4)**

##<NL-8>##

**Installation (4)**

- 1 Deciding installation position, and cleaning the installation area.**  
 Clean the installation area of any dirt or oil before applying installed tape on the holder ② (see above illustration 4-4).  
*Note*  
 Be sure nothing obstructs the handle, lever, etc.
- 2 Mark the position of screw holes in the installation position.**  
 Use the screw hole of the holder ② as a template.
- 3 Make a hole of 2 mm at the marked position.**
- 4 Warm up the surface of the installation position and installed tape on the holder ② to between 20 °C and 30 °C. Adjust the holder to the desired position, press down firmly, and install the supplied screw ①.**  
 After installing the screw, cover the protruding end of the screw to avoid damage to cords. Gum tape may be used for this purpose.
- 5 To install, align the 3 lockup holes on the bottom of the unit with the 3 holder catches.**  
 Secure the long cord with the supplied cord clamp ③ so that it does not interfere with driving. Take extra care that the cord does not become twisted around the gear lever as an accident may occur.

**Vorsichtsmaßnahmen**

- ##<DE-7>##

**Installation (4)**

##<DE-8>##

**Precauzioni**

- ##<IT-7>##

**Installazione (4)**

##<IT-8>##

**Précautions**

- ##<FR-7>##

**Installation (4)**

##<FR-8>##