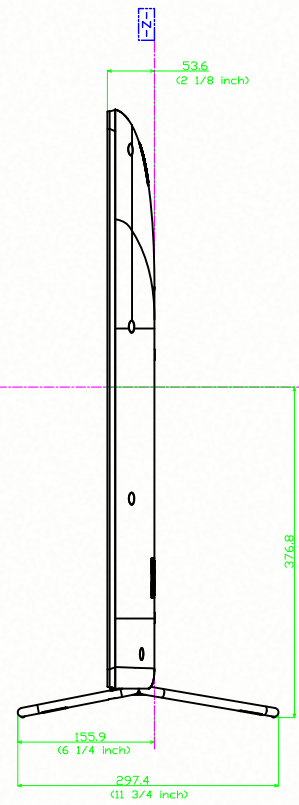
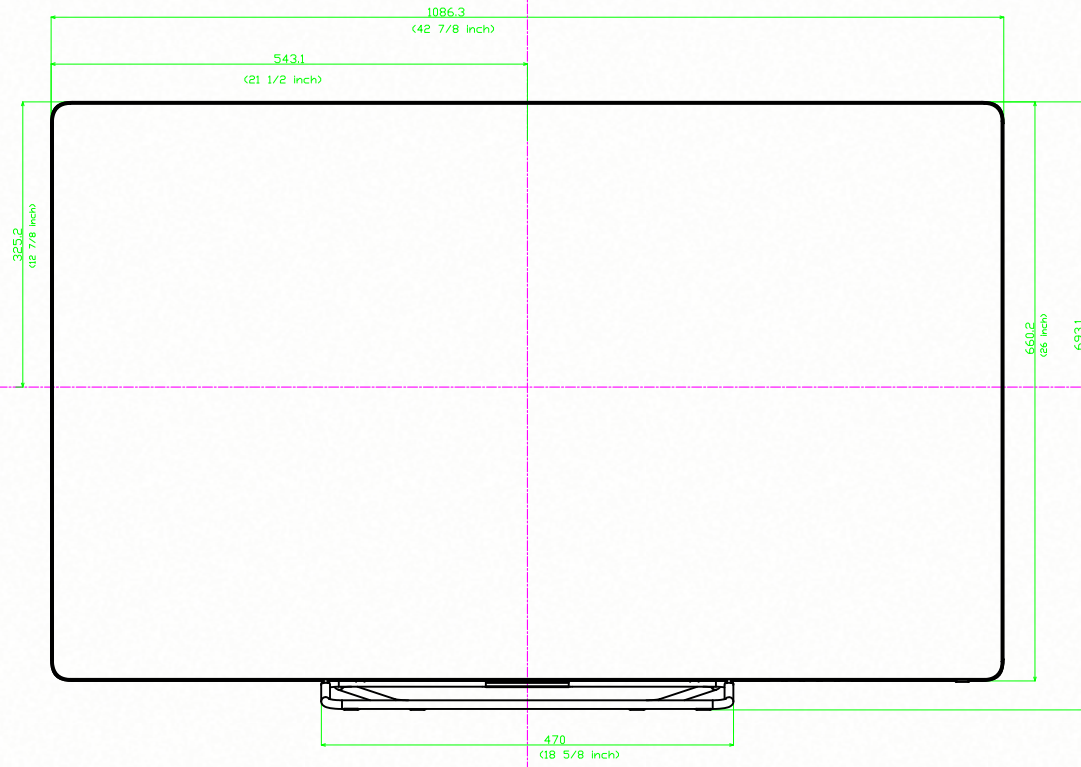
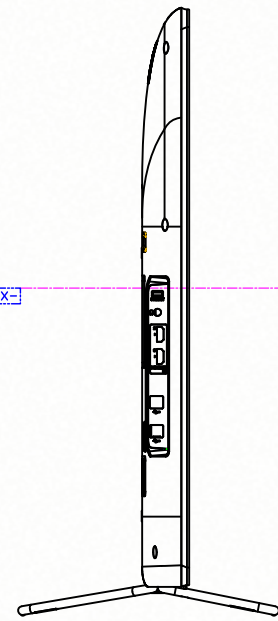
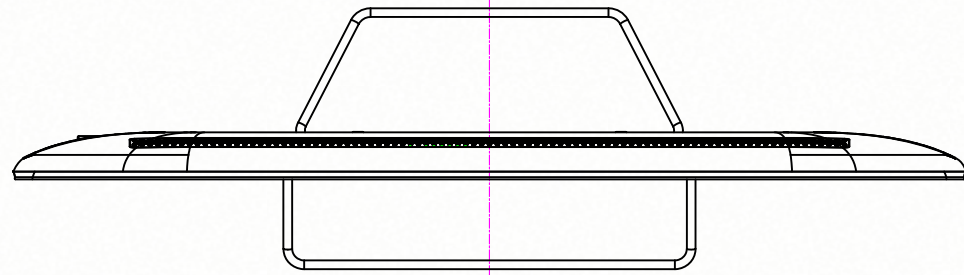
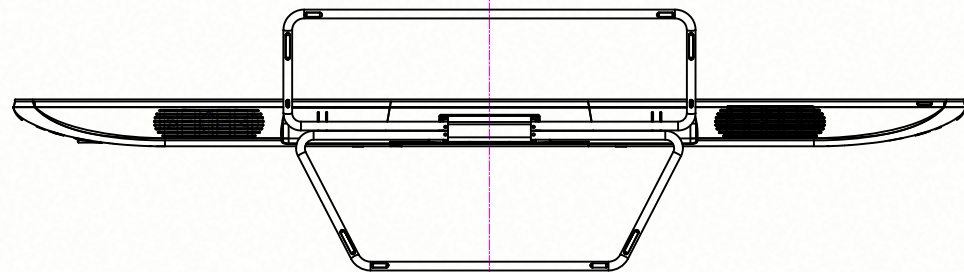
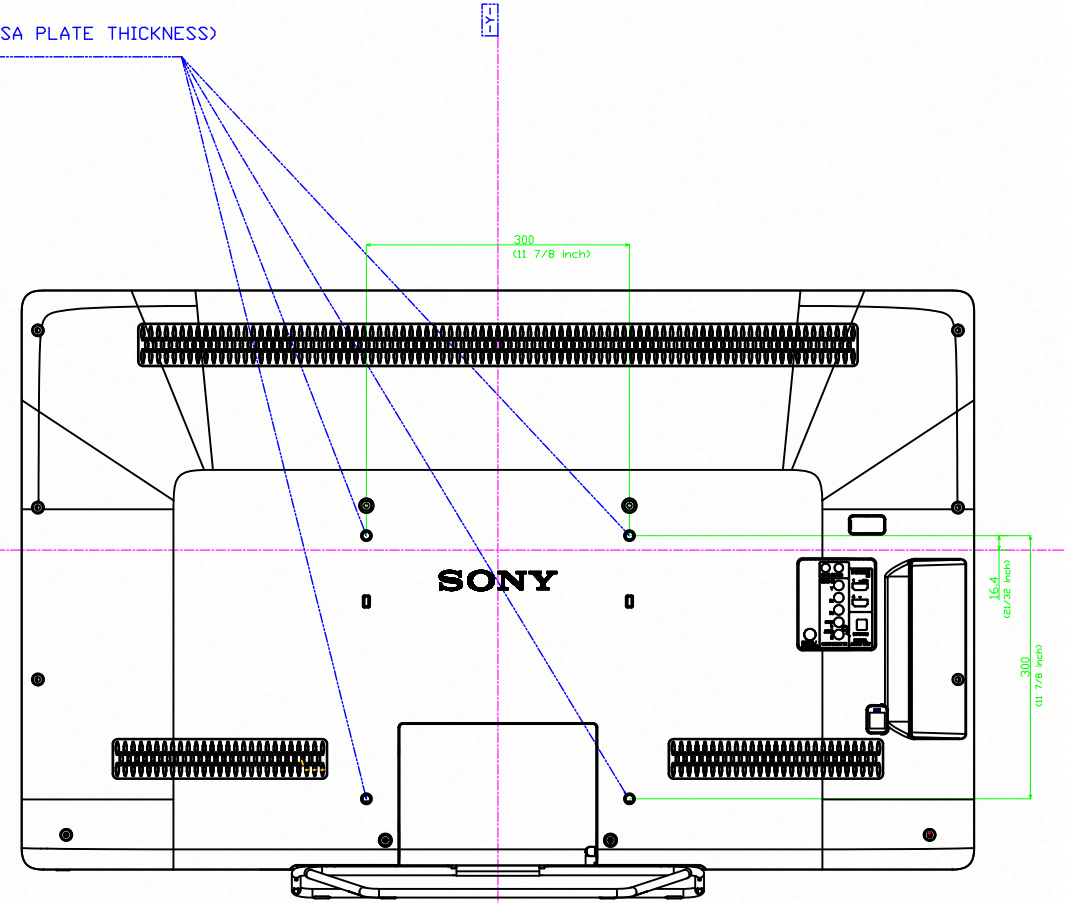


Screen size (Inches measured diagonally)	46 inches
Display Resolution	1,920 dots (horizontal) x 1,080 (vertical)
Speaker	45 x 130
Full range with speaker (mm) (Inches)	1.13/16 x 5.1/8
Dimensions	
with stand (mm) (Inches)	1087 x 694 x 298 42.7/8 x 27.3/8 x 11.3/4
without stand (mm) (Inches)	1087 x 661 x 54 42.7/8 x 26.1/8 x 2.1/4
wall-mount hole pattern (mm)	300 x 300
wall-mount screw size (mm)	M6 x 16
Mass	
with stand (kg)/(lb.)	22.7/50.1
without stand (kg)/(lb.)	21/46.4

REV.	ECN.	NO.	APPD.
X2			



M6x(8 to 12+t)(t)VESA PLATE THICKNESS



L64 ±0.1	X ^c ±	UNITS	MM	NAME (INTENDED USE)	FOXCONN HON HAI PRECISION IND. CO., LTD. TAIPEI, TAIWAN, R.O.C.
4K ±0.15	X ^c ±	MAT'L		PART NO. (INTENDED USE)	
16K ±0.2	X ^c ±	FINISH		APPD:	TITLE: ASURA_EXTERIOR_VIEW_DRAWING(46)
63K ±0.25	X ^c ±	Q'TY		CHR'D:	DWG NO.:
250K ±0.3	X ^c ±			DR:	SCALE SHEET REV. 1:3 1/2 X2

THESE DRAWINGS AND SPECIFICATIONS ARE THE PROPERTY OF HON HAI PRECISION IND. CO., LTD. AND SHALL NOT BE REPRODUCED, COPIED, OR USED IN ANY MANNER WITHOUT THE PRIOR WRITTEN CONSENT OF HON HAI PRECISION IND. CO., LTD.