

## Overview

### Special Features

- ❑ **Stylish and Professional** — Powerful and integrated CD-RW/DVD combo drive in a slim and light body
- ❑ **Watch DVD Movies on Flight** — Integrated CD-RW/DVD combo drive provides entertainment on the go
- ❑ **Got Wireless?** — Built-in IEEE 802.11b wireless technology for truly mobile network connections\*
- ❑ **Enjoy Pictures** — Create digital photo albums with Sony's exclusive PictureGear Studio™ software

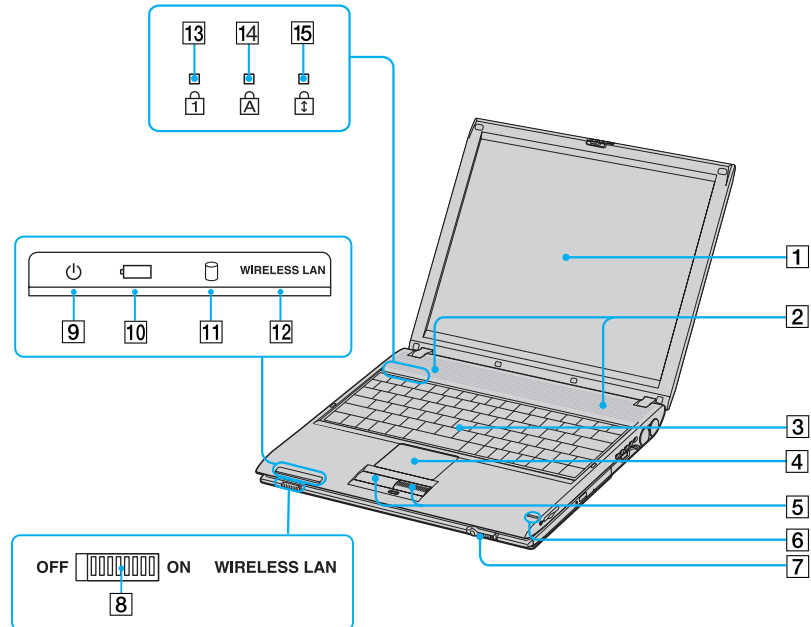
### Software

- ❑ **Microsoft® Windows® operating system** — Includes Microsoft® Windows® XP Home Edition, Microsoft® Windows® XP Professional, or Microsoft® Windows® 2000 Professional operating system
- ❑ **Audio and Video Authoring, Viewing, and Sharing** — Powerful software for creating and sharing movies and managing audio files

### Hardware

- ❑ **Exceptional Performance** — Fast Mobile Intel® Pentium® Processor 2 or 2.40 GHz†-M with Enhanced Intel SpeedStep® technology
- ❑ **Power** — High-capacity lithium-ion battery
- ❑ **Portability** — Approximately 4.39 pounds light (with battery) and approximately 1.35" thin
- ❑ **Usability** — Large display, generous hard drive, expandable memory:
  - ❑ 12.1" XGA TFT display (LCD)
  - ❑ 40 or 60 GB‡ hard disk drive
  - ❑ 256 MB, 512 MB, or 1 GB DDR SDRAM (max. 1 GB\*\*)
- ❑ **Connectivity** —
  - ❑ Built-in wireless LAN<sup>1</sup>
  - ❑ i.LINK®<sup>††</sup> S400 port (4-pin)
  - ❑ USB 2.0<sup>‡‡</sup> ports (2)
  - ❑ Monitor port (VGA)
  - ❑ 10BASE-T/100BASE-TX Ethernet port (RJ-45)
  - ❑ Modem line jack (RJ-11)
  - ❑ Memory Stick® media slot
  - ❑ Port replicator connector

#### Front



#### Front

- |   |                               |    |                           |
|---|-------------------------------|----|---------------------------|
| 1 | Display (LCD)                 | 9  | Power indicator           |
| 2 | Speakers                      | 10 | Battery indicator         |
| 3 | Keyboard                      | 11 | Hard disk drive indicator |
| 4 | Touch pad                     | 12 | Wireless LAN indicator    |
| 5 | Left and right buttons        | 13 | Num lock indicator        |
| 6 | Memory Stick® media indicator | 14 | Caps lock indicator       |
| 7 | Power switch                  | 15 | Scroll lock indicator     |
| 8 | Wireless LAN switch           |    |                           |

\* Built-in wireless LAN is available on selected models only. Wireless LAN access point sold separately. Sony cannot fully guarantee the security of wireless communications.

† GHz denotes maximum microprocessor internal clock speed; other factors may affect application performance. CPU speeds will be reduced to a lower operating speed under certain conditions.

‡ GB means 1 billion bytes when referring to hard disk drive capacity. Five GB of hard disk space is reserved as a recovery partition. Accessible capacity may vary.

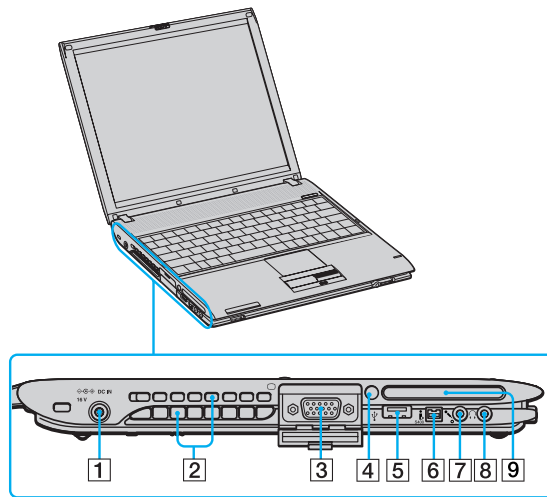
\*\* One GB is equal to 1,024 MB.

†† i.LINK is a trademark of Sony used to designate that a product contains an IEEE 1394 connection. The i.LINK connection may vary, depending on the software applications, operating system, and compatible i.LINK devices. All products with an i.LINK connection may not communicate with each other. Please refer to the documentation that came with your compatible i.LINK device for information on operating conditions and proper connection. Before connecting compatible i.LINK PC peripherals to your system, such as a CD-RW or hard disk drive, confirm their operating system compatibility and required operating conditions.

‡‡ High, full, and low speeds supported.

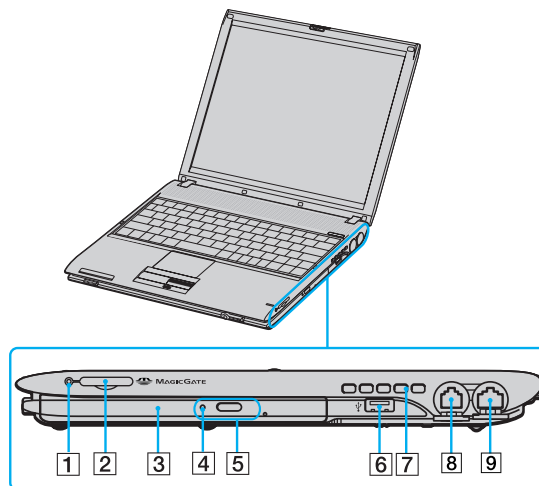
**Left**

- 1 DC IN port
- 2 Air vent
- 3 Monitor port (VGA)
- 4 PC Card eject button
- 5 USB 2.0 port
- 6 i.LINK® S400 port (4-pin)
- 7 Microphone jack
- 8 Headphones jack
- 9 PC Card slot



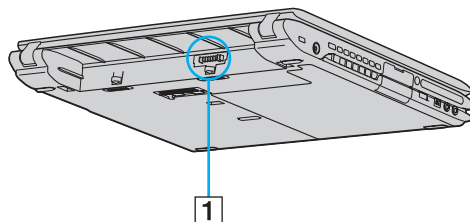
**Right**

- 1 Memory Stick® media indicator
- 2 Memory Stick® media slot
- 3 Optical drive
- 4 Manual eject hole
- 5 Optical drive eject button
- 6 USB 2.0 port
- 7 Air vent
- 8 Modem line jack (RJ-11)
- 9 10BASE-T/100BASE-TX Ethernet port (RJ-45)



**Back**

- 1 Battery port



## Standard Features

| <b>Feature</b>                                | <b>Description PCG-V505 Series</b>  |
|---|---|
| <b>Processor</b>                              | Available: Mobile Intel® Pentium® 4 processor 2 or 2.40 GHz <sup>1</sup> -M   |
| <b>L2 Cache Memory</b>                        | 512 KB (CPU Integrated)   |
| <b>Operating System</b>                       | Available: Microsoft® Windows® XP Home Edition<br>Microsoft® Windows® XP Professional<br>Microsoft® Windows® 2000 Professional  |
| <b>Hard Disk Drive</b>                        | Available: 40 or 60 GB <sup>2</sup>   |
| <b>Standard RAM</b>                           | Available: 256, 512, or 1 GB (Expandable to 1 GB <sup>3</sup> )<br>(PC2100 DDR SDRAM)   |
| <b>LCD Screen</b>                             | 12.1" XGA TFT (1,024 x 768 resolution)  |
| <b>Graphics</b>                               | 16 MB video DDR SDRAM<br>ATI MOBILITY™ RADEON™  |
| <b>Sound Capabilities</b>                     | Windows® sound system compatible<br>Integrated stereo speakers  |
| <b>Optical Drive</b>                          | CD-RW/DVD combo drive   |
| <b>Modem</b>                                  | V.90 data/fax modem <sup>4</sup>  |
| <b>Wireless LAN Communication<sup>5</sup></b> | Available: IEEE 802.11b; 2.4 GHz band frequency <sup>6</sup><br>Max. 11 Mbps data transfer speed (approximation)<br>Max. 100 meter communication distance (approximation)<br>Wireless channels 1 to 11  |
| <b>Expansion Capabilities</b>                 | One slot that supports Type I or II PC Cards, with CardBus support  |
| <b>Built-in Capabilities</b>                  | Stereo speakers<br>Touchpad<br>Memory Stick® media slot   |
| <b>Connection Capabilities</b>                | Modem line jack (RJ-11)<br>i.LINK® <sup>7</sup> S400 port (4-pin)<br>10BASE-T/100BASE-TX Ethernet port (RJ-45)<br>USB 2.0 ports <sup>8</sup> (2)<br>Memory Stick® media slot<br>Microphone jack<br>Headphones jack<br>Monitor port (VGA)<br>Port replicator connector |
| <b>Supplied Accessories</b>                   | Rechargeable Lithium-ion battery<br>AC adapter and power cord   |
| <b>Power Source</b>                           | 16V DC/AC 100-240V  |
| <b>Power Management</b>                       | Energy Star® compliant<br>Advanced Configuration and Power Interface (ACPI)   |
| <b>Dimensions (approximate)</b>               | 10.9" (w) x 1.32/1.38" (h) x 9.54" (d)<br>(277 mm x 33.5/35 mm x 242.4 mm)  |

## **Standard Features (Continued)**

| <b>Feature</b>               | <b>Description PCG-V505 Series</b>   |
|------------------------------|--|
| <b>Weight (approximate)</b>  | 4.39 lbs. (2 kg) with standard battery   |
| <b>Operating Temperature</b> | 40° F to 95° F (5° C to 35° C)   |
| <b>Operating Humidity</b>    | 20% to 80% (not condensed), provided that humidity is less than 65% at 95° F (35° C), hygrometer reading of less than 84° F (29° C)  |
| <b>Storage Temperature</b>   | -4° F to 140° F (-20° C to 60° C) temperature gradient less than 18° F (-10° C) per hour   |
| <b>Storage Humidity</b>      | 10% to 90% (not condensed), provided that humidity is less than 20% at 140° F (60° C), hygrometer reading of less than 95° F (35° C) |

- 1 Processor speed will be reduced under certain operating conditions. GHz denotes microprocessor internal clock speed; other factors may affect application performance.
- 2 GB means 1 billion bytes when referring to hard disk drive capacity. Accessible capacity may vary. Five GB of hard disk space is reserved as a recovery partition for models with Microsoft® Windows® XP operating systems only.
- 3 One GB is equal to 1,024 MB.
- 4 Maximum speed for faxing is 14.4 Kbps. Your modem is capable of downloading at 56 Kbps using V.90. Your online service or Internet Service Provider may not support this technology or operate at this speed.
- 5 Built-in wireless LAN is available on selected models only. Wireless LAN access point sold separately. Sony cannot fully guarantee the security of wireless communications.
- 6 Maximum data communication/transfer speed per IEEE 802.11b standard. Speed and communication distance will be reduced under certain operating and environmental conditions.
- 7 i.LINK is a trademark of Sony used to designate that a product contains an IEEE 1394 connection. The i.LINK connection may vary, depending on the software applications, operating system, and compatible i.LINK devices. All products with an i.LINK connection may not communicate with each other. Please refer to the documentation that came with your compatible i.LINK device for information on operating conditions and proper connection. Before connecting compatible i.LINK PC peripherals to your system, such as a CD-RW or hard disk drive, confirm their operating system compatibility and required operating conditions.
- 8 High, full, and low speeds supported.

## Available Configurations

To view additional configurations, visit [www.sony.com/VAIOB2B](http://www.sony.com/VAIOB2B)

| <i>Model Name</i>   | <i>Processor Speed</i>                                   | <i>Screen</i> | <i>Memory</i>    | <i>HDD</i>         | <i>Optical Drive</i>  | <i>Operating System</i>               |
|---------------------|--|---------------|------------------|--------------------|-----------------------|---------------------------------------|
| <b>PCG-V505BC2</b>  | Mobile Intel® Pentium® 4 Processor 2 GHz <sup>1</sup> -M | 12.1" XGA     | 256 MB           | 40 GB <sup>2</sup> | CD-RW/DVD combo drive | Microsoft® Windows® XP Home Edition   |
| <b>PCG-V505BCP1</b> | Mobile Intel® Pentium® 4 Processor 2 GHz-M               | 12.1" XGA     | 256 MB           | 40 GB              | CD-RW/DVD combo drive | Microsoft® Windows® XP Professional   |
| <b>PCG-V505BCP7</b> | Mobile Intel® Pentium® 4 Processor 2 GHz-M               | 12.1" XGA     | 512 MB (512 x 1) | 60 GB              | CD-RW/DVD combo drive | Microsoft® Windows® XP Professional   |
| <b>PCG-V505BCP6</b> | Mobile Intel® Pentium® 4 Processor 2.40 GHz-M            | 12.1" XGA     | 256 MB           | 40 GB              | CD-RW/DVD combo drive | Microsoft® Windows® XP Professional   |
| <b>PCG-V505BCP4</b> | Mobile Intel® Pentium® 4 Processor 2 GHz-M               | 12.1" XGA     | 256 MB           | 60 GB              | CD-RW/DVD combo drive | Microsoft® Windows® XP Professional   |
| <b>PCG-V505BCK1</b> | Mobile Intel® Pentium® 4 Processor 2 GHz-M               | 12.1" XGA     | 256 MB           | 40 GB              | CD-RW/DVD combo drive | Microsoft® Windows® 2000 Professional |

1 Processor speed will be reduced under certain operating conditions. GHz denotes microprocessor internal clock speed; other factors may affect application performance.

2 GB means 1 billion bytes when referring to hard disk drive capacity. Accessible capacity may vary.

## Options

| <i>Option</i>                                | <i>Description</i>   | <i>Model</i>                                      |
|--|--|---|
| <b>Memory</b>                                | 256 MB memory upgrade (open slot)<br>512 MB memory upgrade (open slot)<br>Use PC2100 DDR SDRAM only  |   |
| <b>Monitors</b>                              | A Sony VAIO® monitor or Sony LCD projector may be connected as an external display. Display cable(s) required  |   |
| <b>Drives</b>                                | External USB floppy disk drive   | PCGA-UFD5   |
| <b>i.LINK®(IEEE 1394) Cables<sup>1</sup></b> | Only compatible i.LINK devices may be connected, using the following i.LINK cables:<br>1.5-meter, 4-pin connector<br>1.5-meter, 4-pin connector to 6-pin connector<br>3.5-meter, 4-pin connector                         | VMC-IL4415A<br>VMC-IL4615A<br>VMC-IL4435A         |
| <b>Accessories</b>                           | Port replicator<br>Sony USB mouse<br>Sony USB optical mouse with Memory Stick® media slot<br>Sony USB mobile mouse   | PCGA-PRV1<br>PCGA-UMS5<br>MSAC-US5<br>PCGA-UMS3/V |
| <b>Memory Stick® Media<sup>2</sup></b>       | 32 MB<br>64 MB<br>128 MB   | MSA-32A<br>MSA-64A<br>MSA-128A                    |
| <b>Multimedia</b>                            | External speakers<br>USB Visual Communication Camera <sup>3</sup><br>Sony Digital Handycam® camcorder<br>Sony digital still camera<br>Sony Mavica® camera<br>Sony projector<br>External microphone or other audio device | PCGA-SP1<br>PCGA-UVC10                            |
| <b>Wireless Connectivity</b>                 | 802.11b Wireless LAN Pro Access Point<br>802.11g Wireless LAN Router Access Point  | PCWA-A200<br>PCWA-AR300                           |
| <b>Network Connectivity</b>                  | Network compatible with third-party PC card network interface  |   |
| <b>Other Connectivity</b>                    | Personal Digital Assistant (PDA) or Sony CLIE™ handheld device   |   |
| <b>Power</b>                                 | AC adapter<br>Standard lithium-ion battery<br>Double-capacity lithium-ion battery  | PCGA-AC16V6<br>PCGA-BP2V<br>PCGA-BP4V             |

| <i>Option</i>         | <i>Description</i>  | <i>Model</i> |
|-----------------------|---|--------------|
| <b>Carrying Cases</b> | VAIO® Carrying Case<br>Ample room to hold notebook computer, AC adapter, extra battery, and floppy or optical disc drive with additional compartments and pockets. Compatible with any VAIO notebook. | PCGA-CCR5    |
|                       | VAIO® Notebook Backpack<br>Ergonomically designed backpack with padded shoulder straps and ribbed contour padding on the back for maximum comfort.  | PCGA-CCP1    |
|                       | VAIO® Notebook & AC Adapter Cases (neoprene)<br>Protect your PC from spills, nicks, and scratches.  | PCGA-CCN2    |

1 i.LINK is a trademark of Sony used only to designate that a product contains an IEEE 1394 connection. The i.LINK connection may vary, depending on the software applications, operating system, and compatible i.LINK devices. All products with an i.LINK connection may not communicate with each other. Refer to the documentation that came with your compatible i.LINK device for information on operating conditions and proper connection. Before connecting compatible i.LINK PC peripherals to your system, such as an optical disc drive or hard disk drive, confirm their operating system compatibility and required operating conditions.

2 Data storage capacity may vary as a portion of the memory is used for data management functions.

3 Available on models with Microsoft® Windows® XP operating systems only.

## Memory and Storage

| <i>Item</i>            | <i>Description</i>   |
|------------------------|--|
| <b>L2 Cache Memory</b> | 512 KB (CPU Integrated)  |
| <b>Hard Disk Drive</b> | Available: 40 or 60 GB <sup>1</sup>  |
| <b>Standard RAM</b>    | Available: 256, 512, or 1 GB <sup>2</sup> (Expandable to 1 GB)<br>(PC2100 DDR SDRAM) |

1 GB means 1 billion bytes when referring to hard disk drive capacity. Accessible capacity may vary. Five GB of hard disk space is reserved as a recovery partition for models with Microsoft® Windows® XP operating systems only.

2 One GB is equal to 1,024 MB.

### Typical Expansion Memory Configuration

The amount of memory installed on your computer may vary, depending on the model you purchased.

| <i>Total System Memory (MB)</i> | <i>Slot 1 (MB)</i> | <i>Slot 2 (MB)</i> |
|---------------------------------|--------------------|--------------------|
| 256                             | 256                | 0                  |
| 512                             | 256                | 256                |
| 512                             | 512                | 0                  |
| 768                             | 256                | 512                |
| 1,024                           | 512                | 512                |



## Software

Preinstalled software may not be identical to retail versions or have all documentation.

| <b>Application</b>  | <b>Description</b>   |
|---|--|
| <b>Adobe® Acrobat® Reader®</b><br><i>Adobe Systems Inc.</i>   | Acrobat Reader software enables you to view, navigate, and print electronic documents in Adobe's Portable Document Format (PDF), an open file format intended to preserve the fidelity of documents created on many major computer platforms.  |
| <b>America Online®<br/>(Broadband or Dial-Up)<sup>1</sup></b><br><i>America Online, Inc.</i>              | America Online is a popular Internet online service. Stay in touch with family and friends with easy-to-use e-mail. Manage your personal finances, get the latest news and sports scores, and chat with thousands of others who share your interests.  |
| <b>AT&amp;T WorldNet® Service</b><br><i>AT&amp;T Corp.</i>  | AT&T WorldNet Service offers fast, reliable Internet access. Customer benefits include Web-based e-mail, video e-mail, multiple e-mail accounts, free Web pages, online and live agent technical support, instant messaging, and parental controls.  |
| <b>Boingo Wireless™</b><br><i>Boingo Wireless, Inc.</i>   | Boingo Wireless offers Wi-Fi access in hundreds of hot spot locations, including airports, hotels, coffee shops and other public spaces. Experience the Internet up to 100 times faster than dial-up, and enjoy being totally mobile.  |
| <b>DVgate™ Plus</b><br><i>Sony Electronics Inc.</i>   | Connect a compatible digital video camera to your computer's i.LINK® port and capture video clips and still images. Edit clips from your video, add new clips, and combine clips into new movie segments. Save your movies back to your digital video came or in a variety of popular file formats.  |
| <b>EarthLink<sup>SM</sup> Total Access®<br/>2003 (DSL or Dial-Up)</b><br><i>EarthLink, Inc.</i>           | EarthLink, one of the world's largest Internet Service Providers, offers dial-up and broadband access to the Internet. Member benefits include e-mail, newsgroups, a Personal Start Page, free storage space for your personal Web site, a member magazine, and 24-hour technical support.   |
| <b>McAfee Internet SecurityCenter*<br/>(trial version)</b><br><i>Networks Associates Technology, Inc.</i> | The McAfee.com SecurityCenter combines a set of must-have tools with simplified world class managed security services. The McAfee.com SecurityCenter is an easy-to use environment where McAfee subscribers can launch, manage and configure their security subscriptions. The SecurityCenter also acts as a source of information for virus alerts, product information, support, subscription information and one-click access to tools and news hosted at www.mcafee.com. Includes VirusScanOnline, Personal Firewall Plus, Privacy Service and SpamKiller. This is a trial version of the McAfee SecurityCenter. |
| <b>Microsoft® Age of Empires II:<br/>The Age of Kings</b><br><i>Microsoft Corp.</i>                       | The Age of Kings is the sequel to the award-winning, best-selling realtime strategy game Age of Empires. Age of Empires II spans a thousand years, from the fall of Rome through the Middle Ages in which players lead one of 13 civilizations into greatness. The game keeps the epic scope of Age of Empires' game play while evolving the combat and economic features. Rated TEEN by the ESRB: Content may be suitable for persons ages 13 and older. May contain violent content, mild or strong language, and/or suggestive themes.  |
| <b>Microsoft® Encarta® Online<sup>2</sup></b><br><i>Microsoft Corp.</i>                                   | Encarta Online, the online version of the popular encyclopedia, includes more than 47,000 encyclopedia articles, many with multimedia features such as video and audio clips. You'll also find links to trusted Web sites with even more information. An interactive world atlas lets you zoom in on a particular region or country.   |
| <b>Microsoft® Money 2003 Standard<sup>3</sup></b><br><i>Microsoft Corp.</i>                               | Microsoft Money 2003 Standard provides a quick and easy way to organize and manage your personal finances. New features include auto-balancing, a bills estimator, spending comparison reports, and investment reminders. Save time organizing and managing your cash flow and balancing your checkbook. Create and track a budget, pay your bills, organize your finances, and view a complete picture of your financial health all in one place.   |

## Software (Continued)

Preinstalled software may not be identical to retail versions or have all documentation.

| <b>Application</b>  | <b>Description</b>  |
|---|---|
| <b>Microsoft® Movie Maker 2</b><br><i>Microsoft Corp.</i>         | Windows® Movie Maker 2 makes home movies amazingly fun. With Movie Maker 2 you can create, edit and share your home movies right on your PC. Build your movie with a few simple drag-and-drops. Delete bad shots and include only the best scenes. Add special effects, music and narration. Then share your movie via the Web, e-mail, on your PC, CD, or even DVD. You can also save your edited movie back to the DV tape in your camera to play on a TV or even on the camera itself.   |
| <b>Microsoft® MSN 8*</b><br><i>Microsoft Corp.</i>                | MSN 8.0 combines fast, reliable service with innovative Microsoft software to make the Web more useful for you and your family. The new MSN 8 includes smart features such as automatic e-mail virus protection services, an intelligent junk mail filter, powerful parental controls, and easy switching tools.  |
| <b>Microsoft® Windows Media® Player</b><br><i>Microsoft Corp.</i> | Get fast and flexible playback with the best audio and video quality for Windows and the Web. Includes special new features optimized for Windows XP. You can use Microsoft Windows Media® Player to play and organize digital media files on your computer and on the Internet. In addition, you can use the Player to listen to radio stations from all over the world, play and copy CDs, create your own CDs, play DVDs, and copy music and videos to portable devices, such as portable digital audio players and handhelds. |
| <b>Microsoft® Works</b><br><i>Microsoft Corp.</i>                 | Works lets you quickly and easily create high-quality, fun documents. Works provides the core tools you need to create documents, manage lists and schedules, create reports and budgets and organize information from many sources. Works includes Word Processor, Works Database, Works Spreadsheet, Works Portfolio, and Works Calendar.   |
| <b>MoodLogic</b><br><i>MoodLogic, Inc.</i>                        | MoodLogic is the world's largest descriptive database of song information. The information is provided from music lovers like you. MoodLogic allows you to browse the songs by artist and genre, narrow your selections by tempo or year, save your favorite playlist and transfer it to a portable player.   |
| <b>Network Smart Capture</b><br><i>Sony Electronics Inc.</i>      | Network Smart Capture captures images and video from any Sony Digital Camcorder that supports a standard i.LINK connection. Send your video or still images through e-mail or upload them to the ImageStation(SM) service. You can use the Web camera function to automatically upload your captured images.  |
| <b>PictureGear Studio™</b><br><i>Sony Electronics Inc.</i>        | PictureGear Studio still image management software displays still images from your hard drive or a Sony digital still camera. The still images appear in a convenient light-table format so that you can easily view the contents of an entire folder, create your own photo albums and make prints.  |
| <b>Quicken® 2003 New User Edition</b><br><i>Intuit Inc.</i>       | Quicken software is a fast, easy way to organize your finances. Quicken software works just like your checkbook, so it's easy to learn and use. You can even pay your bills online. Quicken software manages all of your finances, bank accounts, credit cards, investments, and loans. (Users of earlier versions of Quicken software must upgrade for a fee.) Upgrade possible to Quicken® Deluxe, and other versions.  |
| <b>QuickTime®</b><br><i>Apple Computer, Inc.</i>                  | The versatile QuickTime software plays many, many different kinds of media files, including video, audio, and virtual reality (VR) movies. You can play QuickTime files (referred to as "QuickTime movies") using QuickTime Player or any other application, such as a Web browser or word processor, that supports QuickTime software.   |
| <b>RealOne™ Player</b><br><i>RealNetworks, Inc.</i>               | RealOne™ Player is an all-in-one digital media player that lets you find everything and play anything. RealOne Player fuses a streaming media player, jukebox, browser and new content discovery services all in one application. Play CDs, MP3s and internet radio stations from anywhere in the world. View video clips and movies with the same player. Download music directly to your Sony MiniDisc™ Walkman or your Sony Memory Stick™ Walkman.   |

**Software (Continued)**

Preinstalled software may not be identical to retail versions or have all documentation.

| <b>Application</b>  | <b>Description</b>  |
|---|---|
| <b>SonicStage™</b><br><i>Sony Electronics Inc.</i>                      | The SonicStage jukebox application gives you all the tools you need to manage music on your computer. SonicStage software sports high-quality digital audio storage, a music visualizer, a sleek player skin design, audio CD burning capability (on computer models that include a CD recording device), and a parametric equalizer for fine-tuning audio playback.  |
| <b>Sony on Yahoo!</b><br><i>Yahoo! Inc.</i>                             | Personalize your own Web portal with Sony on Yahoo! Get a free Web mail account, customized news and local weather reports, comics, instant messaging, and more.  |
| <b>Sony® VAIO® Product Registration</b><br><i>Sony Electronics Inc.</i> | VAIO Product Registration is an integrated registration application for both Sony Electronics and Microsoft. By registering with Sony, you enable Sony to notify you of software and hardware issues that may affect your user experience. Microsoft directs the data to Sony Electronics. Sony uses the registration data for warranty and product support purposes and the analysis of customer feedback on Sony computer features. |
| <b>TurboTax® for the Web</b><br><i>Intuit, Inc.</i>                     | Quickly and easily prepares and files tax returns without downloading or installing any software. From the easy-to-use interview to features such as Instant Data Entry, also found in the TurboTax desktop products, TurboTax for the Web offers easy, fast and customized tax preparation.  |
| <b>VAIO® Hints and Tips</b><br><i>Sony Electronics Inc.</i>             | VAIO Hints and Tips provides helpful information about using your computer's preinstalled hardware and software. You can find suggestions on improving system performance, answers to frequently asked questions, and creative ways to tap into your computer's multimedia capabilities. As you become familiar with your computer's features, your creative VAIO® computer experience expands.                                       |
| <b>VAIO Media™</b><br><i>Sony Electronics Inc.</i>                      | VAIO Media™ software brings multimedia to your network, enabling you to share music, video, and still image files between your VAIO computers. You can set up one or more computers as "media servers," which store your multimedia files and make them available to other VAIO computers on your wired or wireless network.  |
| <b>VAIO Support Agent</b><br><i>Sony Electronics Inc.</i>               | VAIO Support Agent provides immediate, interactive online support with information about your preinstalled software and answers to frequently asked questions.  |
| <b>WinDVD 4 for VAIO®</b><br><i>InterVideo, Inc.</i>                    | WinDVD is a simple-to-use DVD player that offers all the features you would expect to find in a standard consumer DVD player, including advanced display and navigation features such as zoom, pan, bookmark, and time search.  |

- 1 Requires a fee for use.
- 2 Limited duration trial subscription to Microsoft's current online version. Internet access required; additional fees, including telephone or long-distance charges, may apply.
- 3 Certain features are time limited.

## **To Contact Sony**

Visit the Sony VAIO® B2B Web site at: [www.sony.com/VAIOB2B](http://www.sony.com/VAIOB2B)

SONY ELECTRONICS INC. PROVIDES NO WARRANTY WITH REGARD TO THIS DOCUMENT, AND HEREBY EXPRESSLY DISCLAIMS ANY IMPLIED WARRANTIES OF MERCHANTABILITY OR FITNESS FOR ANY PARTICULAR PURPOSE WITH REGARD TO SONY COMPUTER PRODUCTS. IN NO EVENT SHALL SONY ELECTRONICS INC. BE LIABLE FOR ANY INCIDENTAL, CONSEQUENTIAL, OR SPECIAL DAMAGES, WHETHER BASED ON TORT, CONTRACT, OR OTHERWISE, ARISING OUT OF OR IN CONNECTION WITH THIS DOCUMENT, THE SOFTWARE, OR OTHER INFORMATION CONTAINED HEREIN OR THE USE THEREOF.

Sony Electronics Inc. reserves the right to make any modification to this document or the information contained herein at any time without notice. The software on devices described herein is governed by the terms of separate agreements.

Updates and additions to software may require an additional charge. Subscriptions to online service providers may require a fee and credit card information. Financial services may require prior arrangements with participating financial institutions.

Certain software product(s) included with this computer may include features such as copy protection and content management technology. USE OF THE SOFTWARE PRODUCT(S) REQUIRES AGREEMENT TO APPLICABLE END USER AGREEMENTS AND FULL COMPLIANCE WITH APPLICABLE PRODUCT ACTIVATION PROCEDURES. Product activation procedures and privacy policies will be detailed during initial launch of the software product(s), or upon certain reinstallations of the software product(s) or reconfigurations of the computer, and may be completed by Internet or telephone (toll charges may apply).

© 2003 Sony Electronics Inc. Reproduction in whole or in part without written permission is prohibited. All rights reserved. Sony, VAIO, the VAIO logo, VAIO Media, DVgate, Handycam, PictureGear, i.LINK, MagicGate, Memory Stick, Mavica, CLIÉ, SonicStage, and Click to DVD are trademarks of Sony. Microsoft and Windows are trademarks or registered trademarks of the Microsoft Corporation. All other trademarks are trademarks or registered trademarks of their respective owners.