

# Wireless LAN Converter

## (2.4 GHz/5 GHz IEEE 802.11a/b/g)

### Quick Start Guide

Before reading this guide, be sure to read the "Read This First" supplement.

This guide provides an overview of the Wireless LAN Converter PCWA-DE80 features and the necessary configuration.



©2004 Sony Corporation Printed in Japan

## Capabilities

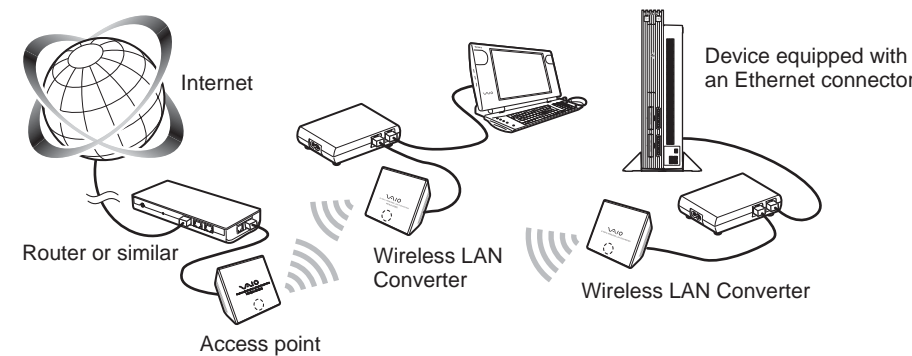
### Wireless access to the Internet for devices with Ethernet connectors

The Wireless LAN Converter PCWA-DE80 (hereafter referred to as the Wireless LAN Converter) is designed to allow devices such as desktop computers or printers equipped with Ethernet connectors to become part of a wireless network.

#### Notes

- Only use an Ethernet cable to connect the Wireless LAN Converter to the Ethernet device.
- The Wireless LAN Converter does not function as an access point.
- When setting up the Wireless LAN Converter without the Quick Setup switch, a computer running the Windows Me, Windows 2000, or Windows XP operating system is required.
- Only one device can be connected to the Wireless LAN Converter. You cannot use a hub to connect to several devices.

### Connection example



#### Hint

The Wireless LAN Converter also allows computers equipped with Wireless LAN Converters to communicate directly when using the Peer to Peer Network connection mode, without using a wireless LAN access point. The Access Point Network connection mode settings are described in this document. Refer to Help for information about the Peer to Peer Network connection mode settings.

### Configuring the Wireless LAN Converter with the Quick Setup switch

You can use the settings of the Sony Wireless Broadband Router PCWA-AR800 or PCWA-AR300 to automatically configure the **hardwired (Ethernet)** Wireless LAN Converter by using the Quick Setup switch.

The access point sends the following to the Wireless LAN Converter.

- Network name (SSID)
- Security settings

### Wireless LAN security

Making security settings for the wireless LAN is extremely important. Sony assumes no responsibility for any security problems that may arise from the use of the wireless LAN.

## Configuring the Wireless LAN Converter

You can configure the Wireless LAN Converter by performing one of the following.

#### • With the Quick Setup switch

When the Wireless LAN Converter is connected to the Wireless Broadband Router PCWA-AR800 or PCWA-AR300, you can use the Quick Setup switch to configure the Wireless LAN Converter. For details, see "Configuration with the Quick Setup Switch".

#### • With the utility software

When the Wireless LAN Converter is connected to an access point other than the PCWA-AR800 or PCWA-AR300, you cannot use the Quick Setup switch to configure the Wireless LAN Converter. For details, see "Configuration with the Utility Software" overleaf.

#### Hint

You can use the utility software to configure the Wireless LAN Converter even if it is connected to the PCWA-AR800 or PCWA-AR300.

#### Hint

In this document, each procedure is preceded by a box. Before proceeding to the next procedure, confirm that you performed all the necessary tasks by ticking the box.

Example:  
 Procedure 1

## Configuration with the Quick Setup Switch

When the Wireless LAN Converter is connected to the PCWA-AR800 or PCWA-AR300, you can use the Quick Setup switch to configure it. When the Wireless LAN Converter is connected to another type of access point, see "Configuration with the Utility Software" overleaf.

### Procedure 1

### Complete the access point setup

Refer to the documentation provided with your access point for details about how to complete the setup. If your access point data encryption (WEP or WPA-PSK) is not configured, we strongly suggest that you configure it before proceeding.

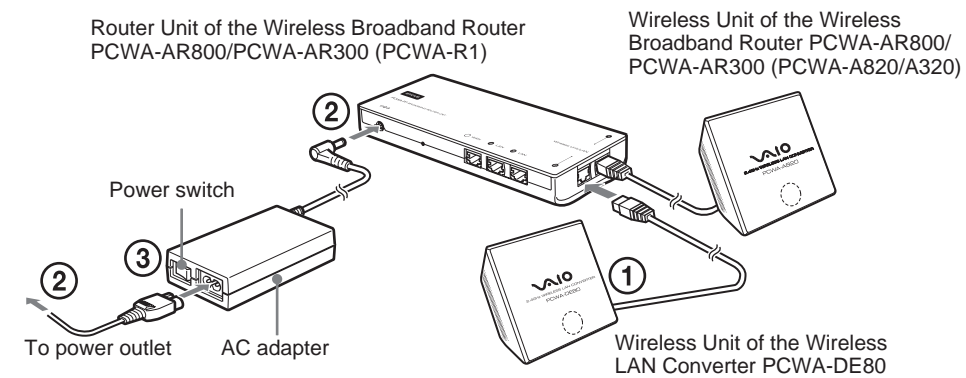
#### Note

If the security settings of your access point use WPA or IEEE 802.1X, you cannot configure the PCWA-DE80.

### Procedure 2

### Connect the PCWA-AR800/PCWA-AR300

- 1 Connect the Wireless Unit of the Wireless LAN Converter to a Wireless Unit/LAN connector of the PCWA-AR800 or PCWA-AR300 Router Unit.
- 2 Connect the AC adapter to the PCWA-AR800 or PCWA-AR300 and the power outlet.
- 3 Press the power switch to turn on the AC adapter.



#### Hint

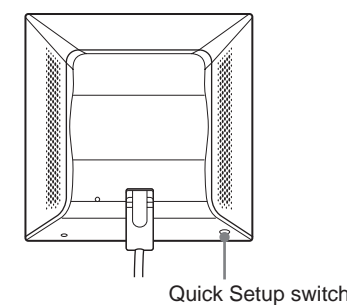
The connections above are used in configuring the Wireless LAN Converter with the Quick Setup switch. For details about connections to use the Wireless LAN Converter in wireless communication, see procedure 4.

### Procedure 3

### Perform quick setup

- 1 Wait until the PCWA-AR800 or PCWA-AR300, and the Wireless LAN Converter starts.
- 2 Press the Quick Setup switch of the PCWA-AR800 or PCWA-AR300 Wireless Unit for at least one second.

When the Status indicator on the PCWA-AR800 or PCWA-AR300 starts flashing red, it has entered Quick Setup standby mode.



#### Hint

- The Wireless LAN Converter only remains in Quick Setup standby mode for 30 seconds.
- Press the Quick Setup switch one more time for at least one second to cancel the procedure.

- 3 Press the Wireless LAN Converter Quick Setup switch for at least one second.

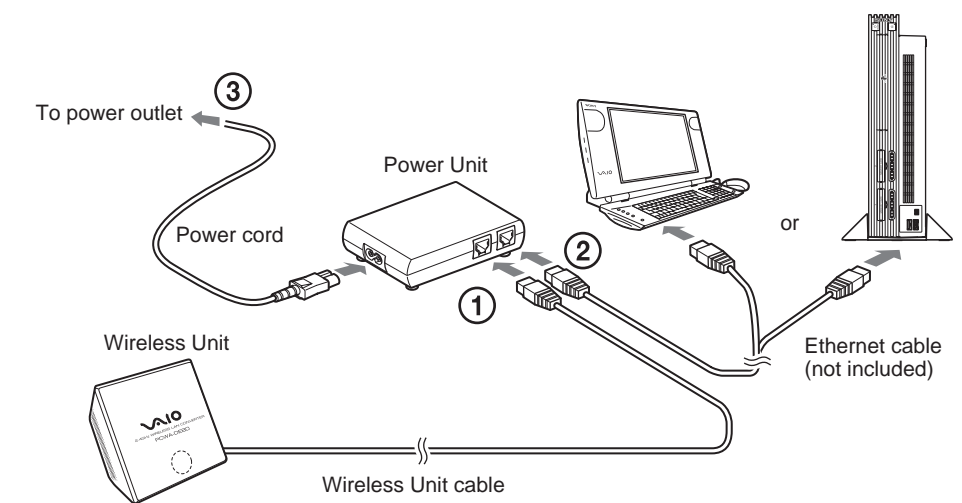
When the Status indicator on the PCWA-AR800 or PCWA-AR300 stops flashing red and the Wireless LAN Converter's begins flashing white, quick setup is complete.

- 4 Disconnect the power cord of the Wireless LAN Converter to turn it off.

### Procedure 4

### Connect the Wireless LAN Converter to the device that you want to use for wireless communication

- 1 Connect the Wireless Unit and Power Unit.
- 2 Connect the Power Unit to the computer or other device capable of wireless communication using an Ethernet cable.
- 3 Connect the Power Unit to an AC outlet using the power cord.



#### Hint

The Wireless LAN Converter does not have a power switch.

When the Status indicator of the Wireless LAN Converter changes to white when you connect the wireless communication device, configuration is complete.

#### Hint

If you want to reset the Wireless LAN Converter, see "Reset to Factory Defaults", overleaf.

### For details about the Wireless LAN Converter setup, refer to the Help.

#### To display Help

Click the "Start" button, point to "Programs" (when using the Windows XP operating system, point to "All Programs"), point to "Wireless LAN", and then click "Converter Setup Help".

#### To display Help for the Wireless LAN Converter Setup Page

Click [Help](#) or [?](#) on the Wireless LAN Converter Setup Page.

• Sony, VAIO, CarrierGate, and the Eco Info logo are trademarks of Sony Corporation.  
 • Microsoft and Windows are registered trademarks of Microsoft Corporation in the United States and/or other countries.  
 • In this document, Microsoft® Windows® Millennium Edition is referred to as Windows Me, Microsoft® Windows® 2000 Professional is referred to as Windows 2000, Microsoft® Windows® XP Home Edition and Microsoft® Windows® XP Professional are referred to as Windows XP.  
 • Netscape is registered trademark of Netscape Communications Corporation.  
 • All other names of systems, products and services are trademarks of their respective owners.  
 • In the document, the ™ or © marks are not specified.

# Configuration with the Utility Software

## Procedure 1

### Verifying the computer used for setup and configuring necessary settings

Before starting setup of the Wireless LAN Converter with the Converter Setup Utility, verify the following points.

#### Verify the Ethernet connector of the computer used for setup

Verify the Ethernet connector of the computer to be used for setup and provide the required Ethernet cable.

#### Hint

You can use an Ethernet cable with straight-through or crossover wiring.

#### Adjust the firewall settings of your computer

If you are using the Windows XP "Internet Connection Firewall" function or a personal firewall provided by virus scanning software, it may be necessary to adjust its security level. To display the Router Unit Setup page or Access Point Setup page, you may also need to change the proxy settings of your Web browser. Refer to "Case 14: Computer firewall function and browser proxy settings" in the separate Troubleshooting Guide.

#### Enable the Java settings of your Web browser

## Procedure 2

### Connecting the Wireless LAN Converter to the computer used for setup

Connect the Wireless LAN Converter and the computer.

#### Hint

For details about how to connect the device that you want to use for wireless communication, see "Configuration with the Quick Setup Switch", procedure 4.

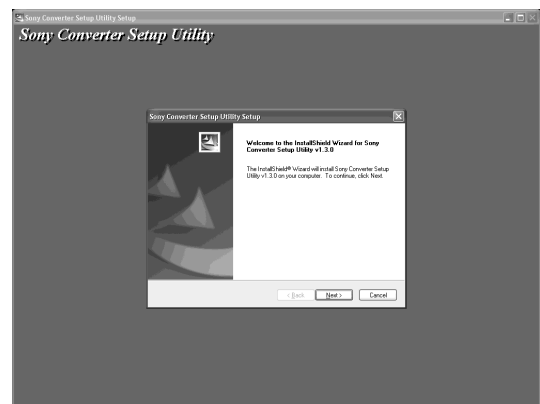
## Procedure 3

### Installing the utility software

Install the utility software to configure the Wireless LAN Converter (Converter Setup Utility) on the computer used for setup.

- 1 Insert the supplied CD-ROM into the CD-ROM drive of the computer where the Wireless LAN Converter is connected.
- 2 With computers running the Windows Me or Windows 2000 operating system, double-click the "My Computer" icon on your desktop. With computers running the Windows XP operating system, click "Start" and click "My Computer".
- 3 In the "My Computer" window, double-click "Setup.exe" on the supplied CD-ROM.

The installation program starts. Follow the instructions on the screen and install the utility software.



#### Hint

Depending on the settings of your computer, the file name "Setup.exe" may be displayed as "Setup". If there are multiple files named "Setup" in the same folder, double-click the one with the following icon.



## Procedure 4

### Configuring the Wireless LAN Converter

Display the Wireless LAN Converter Setup Page and configure the necessary settings.

Compatible browsers:

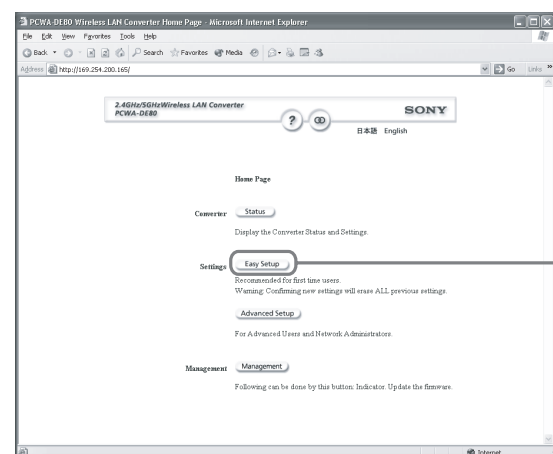
- Internet Explorer 5.5 or later
- Netscape 6.1 or later

#### Hints

- The Wireless LAN Converter Setup Page is saved in the internal memory of the Wireless LAN Converter.
- The page displayed may differ slightly depending on the firmware version of the Wireless LAN Converter.

- 1 Click "Start", point to "Programs" (when using the Windows XP operating system, point to "All Programs"), point to "Wireless LAN", and then click "Converter Setup".

The Converter Setup Utility starts and automatically displays the Wireless LAN Converter Setup Page.



Click in Step 2.

#### Hints

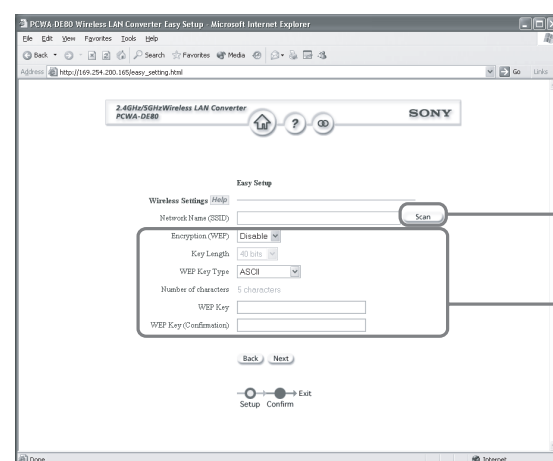
- If the "IP Address Setup" dialog box appears, make sure that the new IP address does not duplicate the address of another device or computer on the network, and then click "Execute Setup". Doing so temporarily changes the IP address of the Wireless LAN Converter.



- If an error occurs, refer to the Troubleshooting Guide or Help.

- 2 Click "Easy Setup".

The Easy Setup page appears.

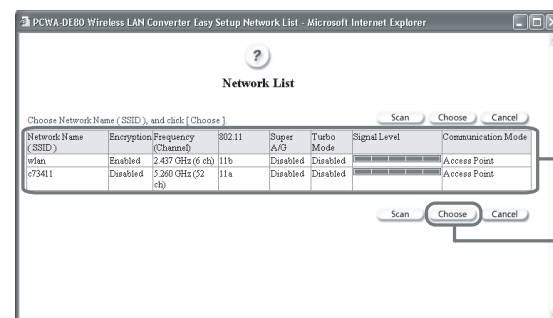


Click "Scan" to scan for wireless networks within communication range of the computer. (Step 3)

Configure these settings to match those of your access point. (Step 5)

- 3 Click "Scan".

The wireless networks within communication range of the computer appear.



Networks to which you can establish a connection.

Select the network to which you want to establish a connection, and then click "Choose". (Step 4)

#### Hint

Instead of clicking "Scan", you can directly enter the network name (SSID) of the access point to which you want to establish a connection. If you do, proceed to step 5.

- 4 Select the network to which you want to establish a connection, and then click "Choose".

The Easy Setup page appears.

- 5 Configure the "Encryption (WEP)", "Key Length", and "WEP Key" settings.

- If the access point setup is complete: Use the same values as the one set for the access point.
- If the access point setup is not complete: Refer to the documentation provided with the access point and enter the default values.

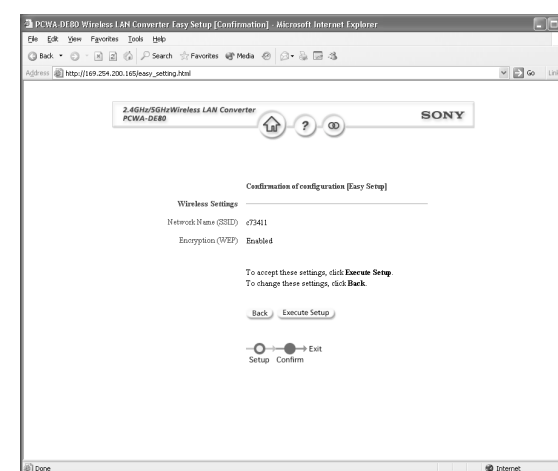
- Encryption (WEP) : Select whether to use data encryption or not.
- Key Length : Select the encryption (WEP) key length. The number of characters for the key string depends on this setting.
- WEP Key : Enter a character string to be used as the encryption (WEP) key. The length of the string must match the encryption key length setting. For verification, the string must be entered once more in the "WEP Key (Confirmation)" field.

#### Hints

- Encryption of wireless communications data (as selected by "Encryption (WEP)") is used to prevent unauthorized access by a third party. The encryption (WEP) key becomes the password necessary to join a network using data encryption.
- Clicking **Help** or **?** displays Help.

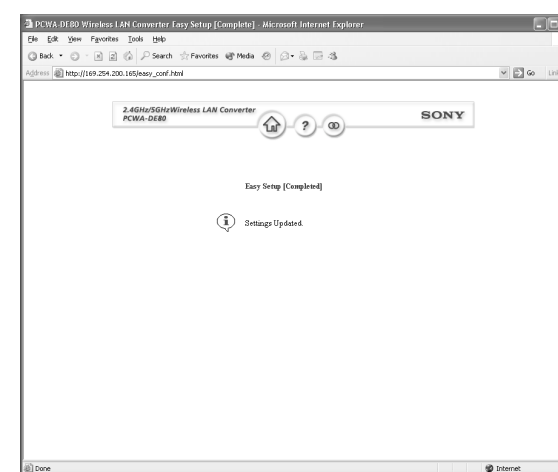
- 6 When setup is complete, click "Next".

The setup confirmation page appears.



- 7 Make sure that the settings are as desired, and click "Execute Setup".

The setup completion page appears.



When you click "Execute Setup", the Wireless LAN Converter restarts. If the Status indicator on the front panel of the Wireless Unit flashes slowly white, communication with the access point is established.

#### Note

If the read-in condition continues after you click "Execute Setup", check the Status indicator on the front panel of the Wireless Unit. If the indicator flashes slowly white, setup is complete and wireless communication is possible.

#### Hint

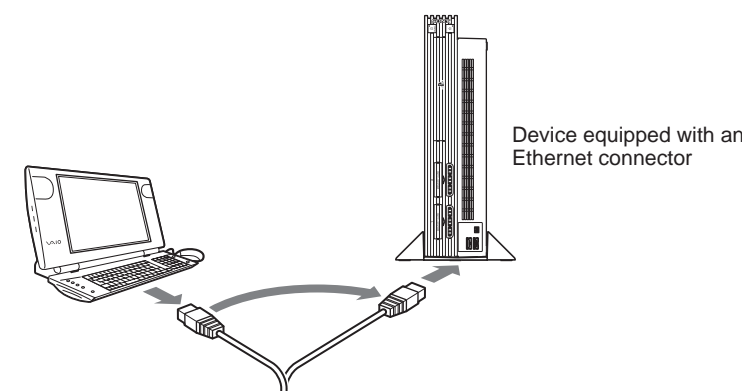
If the Status indicator flashes red, communication with the access point cannot be established. Refer to Read This First or Help.

- 8 Close the Web browser.

## Procedure 5

### Connecting to a device equipped with Ethernet connector

This procedure is unnecessary if you plan to perform wireless communications with the computer used for setup. If not, disconnect the Wireless LAN Converter from the computer used for setup and connect it to the wireless communication device.



#### Note

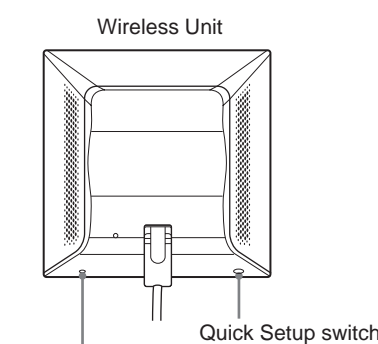
If you disconnect the Ethernet cable from the computer used for setup while it is still on, wait at least 10 seconds before connecting it to the wireless communication device.

# If You Change the Access Point Settings

If you change the settings of your access point, the connection to the Wireless LAN Converter is severed. Reconfigure the network name (SSID) and security settings of the Wireless LAN Converter to match the values of your access point.

# Reset to Factory Defaults

- 1 Turn on the Wireless LAN Converter.
- 2 Press the reset switch on the bottom of the Wireless Unit with the end of a paper clip or a similar object for at least one second.



Reset switch

Quick Setup switch

#### Note

Be careful not to press the Quick Setup switch when you reset the Wireless LAN Converter.

- 3 When the Status indicator begins flashing red, release the reset switch. The Wireless LAN Converter restarts automatically, and all settings revert to their factory default values.

For details about the factory default settings of the Wireless LAN Converter, refer to the Troubleshooting Guide.

### For more about the following, refer to Read This First.

- Safety Information
- Names of Parts and Functions
- Installation Precautions
- Specifications