

Personal Component System

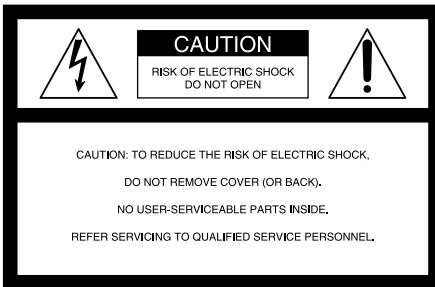
Operating Instructions



PMC-DR45

Warning

To prevent fire or shock hazard, do not expose the player to rain or moisture.



This symbol is intended to alert the user to the presence of uninsulated "dangerous voltage" within the product's enclosure that may be of sufficient magnitude to constitute a risk of electric shock to persons.



This symbol is intended to alert the user to the presence of important operating and maintenance (servicing) instructions in the literature accompanying the appliance.



CAUTION

The use of optical instruments with this product will increase eye hazard.

WARNING

Do not install the appliance in a confined space, such as a bookcase or built-in cabinet.

For customers in Canada

To prevent electric shock, match wide blade of plug to wide slot, fully insert.

Information

For customers in the United States

This equipment has been tested and found to comply with the limits for a Class B digital device, pursuant to Part 15 of the FCC Rules. These limits are designed to provide reasonable protection against harmful interference in a residential installation. This equipment generates, uses and can radiate radio frequency energy and, if not installed and used in accordance with the instructions, may cause harmful interference to radio

communications. However, there is no guarantee that interference will not occur in a particular installation. If this equipment does cause harmful interference to radio or television reception, which can be determined by turning the equipment off and on, the user is encouraged to try to correct the interference by one or more of the following measures:

- Reorient or relocate the receiving antenna.
- Increase the separation between the equipment and receiver.
- Connect the equipment into an outlet on a circuit different from that to which the receiver is connected.
- Consult the dealer or an experienced radio/TV technician for help.

You are cautioned that any changes or modifications not expressly approved in this manual could void your authority to operate this equipment.

CAUTION

- You can use this player on AC power source only. You cannot use it on batteries. When you use this player for the first time, or when you have not used it for a long time, leave it connected to AC power source for about one hour to charge the built-in backup battery for the clock, timer, preset radio stations, etc. You can use the player during charging. The player will charge the battery automatically as long as it is connected to a power source. When you disconnect the mains lead after charging, be sure to turn the power off first. Once fully charged, the backup battery will last for about 30 minutes without being connected to any power sources. If the stored data are erased, reenter them when you use the player again.
- The speakers and player are designed to be used as a single unit. Never connect the speakers and player to different equipment. Doing so may cause the connected equipment to malfunction.

Owner's Record

The model number and the serial number are located at the rear of the left speaker. Record the serial number in the space provided below. Refer to these numbers whenever you call upon your Sony dealer regarding this product.

Model No. PMC-DR45

Serial No. _____

Table of contents

Basic Operations

- 4 Playing a CD
 - 6 Listening to the radio
 - 8 Playing a tape
 - 10 Recording on a tape
-

The CD Player

- 13 Using the display
- 14 Locating a specific track
- 15 Playing tracks repeatedly (Repeat Play)
- 16 Playing tracks in random order (Shuffle Play)
- 17 Creating your own program (Program Play)

The Radio

- 19 Presetting radio stations
- 20 Playing preset radio stations

The Tape Player

- 21 Finding the beginning of a track

The Audio Emphasis

- 22 Selecting the audio emphasis (SOUND/MEGA BASS)

The Timer

- 23 Setting the clock
- 25 Waking up to music
- 28 Timer-recording radio programs
- 31 Falling asleep to music

Setting Up

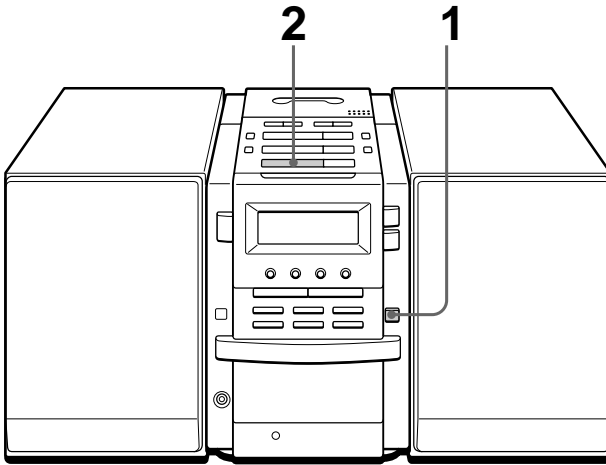
- 32 Hooking up the system
- 37 Saving power
- 38 Connecting optional components

Additional Information

- 41 Precautions
- 43 Troubleshooting
- 46 Maintenance
- 47 Specifications

- Back cover
- Index


Playing a CD

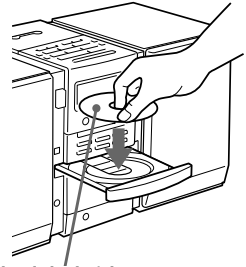


For hookup instructions, see pages 32 - 36.

1





Press  CD OPEN/CLOSE (direct power-on) and place the CD on the CD tray.



With the label side up

2



Press . (On the remote, press  on the CD section.)

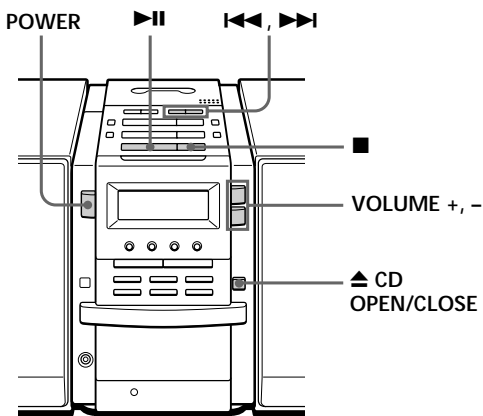
The CD tray closes and the player plays all the tracks once.

Display



Track number Playing time

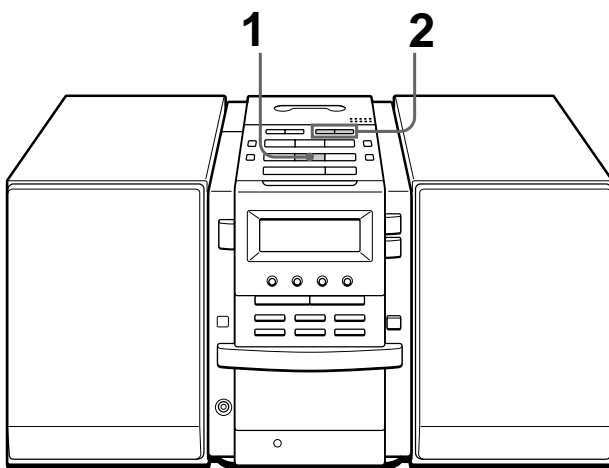
Use these buttons for additional operations

**Tip**

Next time you want to listen to a CD, just press **▶II**. The player turns on automatically and starts playing the CD.

To	Press
adjust the volume	VOLUME +, - (VOL +, - on the remote)
stop playback	■
pause playback	▶II (II on the remote) Press again to resume play after pause.
go to the next track	▶▶
go back to the previous track	◀◀
remove the CD	▲ CD OPEN/CLOSE
turn on/off the player	POWER

Listening to the radio



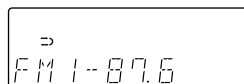
For hookup instructions, see pages 32 - 36.

1



Press **BAND**•**AUTO PRESET** until the band you want appears in the display (direct power-on).

Display



2

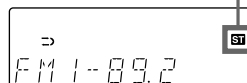


Hold down **TUNE TIME SET** + or - (**TUNE** + or - on the remote) until the frequency digits begin to change in the display.

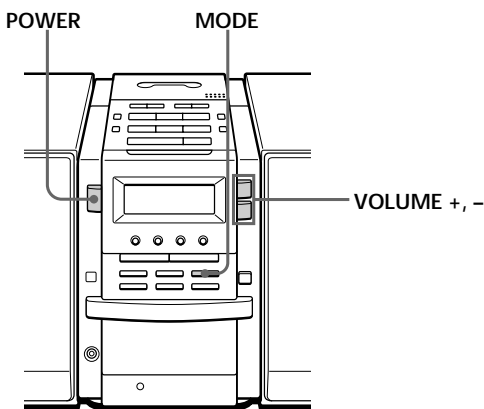
The player automatically scans the radio frequencies and stops when it finds a clear station.

If you cannot tune in a station, press the button repeatedly to change the frequency step by step.

Indicates an FM stereo broadcast.



Use these buttons for additional operations



Tips

- The “FM1” and “FM2” bands have the same functions. You can store the stations you want separately in “FM1” and “FM2”.
- If the FM broadcast is noisy, press MODE until “MONO” appears in the display and the radio will play in monaural.
- Next time you want to listen to the radio, just press the BAND•AUTO PRESET button. The player turns on automatically and starts playing the previous station.

To	Press
adjust the volume	VOLUME +, - (VOL +, - on the remote)
turn on/off the radio	POWER

To improve broadcast reception

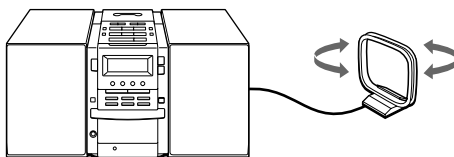
FM:

Keep the FM lead antenna as horizontal as possible and reorient it.

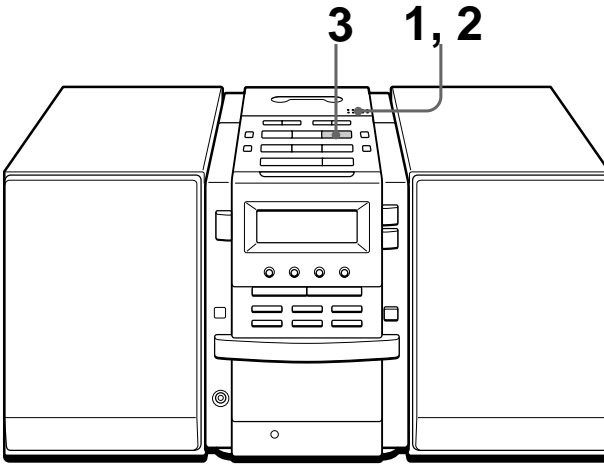
If the FM broadcast is still noisy, disconnect the FM lead antenna and connect the FM outdoor antenna (not supplied) (page 36).

AM:

Keep the AM loop antenna as far as possible from the player and reorient it.

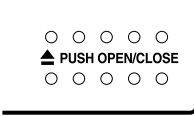


Playing a tape



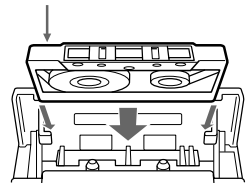
For hookup instructions, see pages 32 - 36.

1

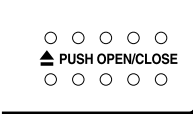


Press ▲ PUSH OPEN/CLOSE to open the tape compartment and insert a recorded tape. Use TYPE I (normal), TYPE II (high position) and TYPE IV (metal) tapes.

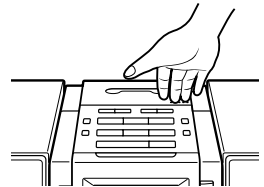
With the side you want to play facing up



2



Press ▲ PUSH OPEN/CLOSE to close the compartment.



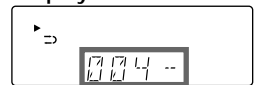
3



Press ▶.
(On the remote, press TAPE ▶.)

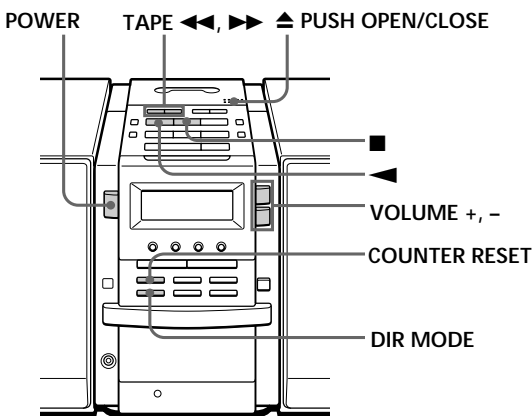
The player turns on (direct power-on) and starts playing.

Display



Tape counter

Use these buttons for additional operations



Tips

- Press COUNTER RESET to reset the counter to “000”.
- Next time you want to listen to a tape, just press ► or ◀. The player turns on automatically and starts playing the tape.

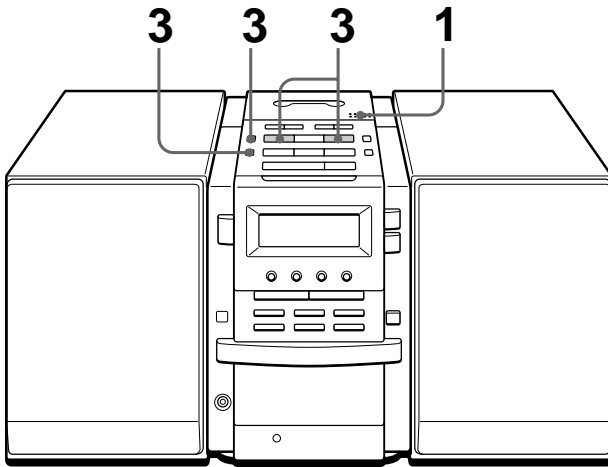
To	Press
adjust the volume	VOLUME +, - (VOL +, - on the remote)
stop playback	■
play the reverse side	◀
fast-forward or rewind the tape	TAPE ►► or ◀◀
eject the cassette	▲ PUSH OPEN/CLOSE
turn on/off the player	POWER

To select the direction mode of the tape

Press DIR MODE repeatedly.

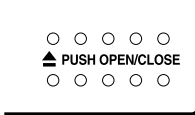
To play	Display shows
one side of the tape	↔
both sides of the tape from the upper side to reverse side only	↺↻
both sides of the tape repeatedly	↺↻↺↻

Recording on a tape



For hookup instructions, see pages 32 - 36. To record on a MiniDisc or DAT recorder, connect the component (see page 38).

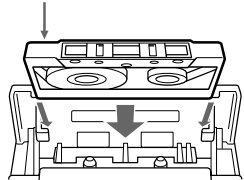
1



Press ▲ PUSH OPEN/CLOSE to open the tape compartment, and insert a blank tape. Use TYPE I (normal) tape only.

Press ▲ PUSH OPEN/CLOSE again to close the compartment.

With the side you want to record on facing up



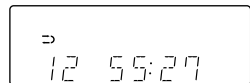
2



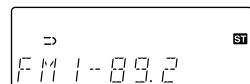
Select the program source you want to record.

To record from the CD player: Insert a CD (see page 4) and press ■ on the CD section.

Display



To record from the radio: Tune in the station you want (see page 6).



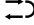
3

CD DUBBING

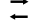


Start recording.

To record the whole CD
Press CD DUBBING.



When  is displayed:

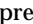
If the tape is reversed with the recording of the track unfinished, the player will record the track again from its beginning on the reverse side.




When  is displayed:

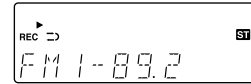
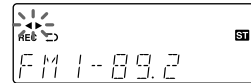
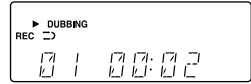
If the tape reaches to its end, the player stops.

To record the radio
(You can also record the CD according to the following procedure. Play the CD after the tape starts recording.)

Press  and then .

To record on the reverse side, press .

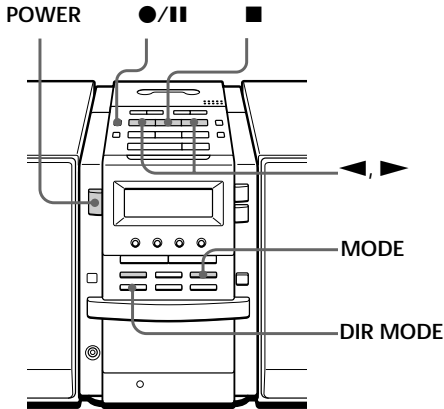
(On the remote, while keeping  pressed, press TAPE  or .)



continued

Recording on a tape (continued)

Use these buttons for additional operations



Tips

- Adjusting the volume or the audio emphasis (page 22) will not affect the recording level.
- When $\overleftrightarrow{}$ or $\overleftarrow{\overrightarrow{}}$ is displayed, recording will be made on both sides of the tape. To record on one side, press DIR MODE to display $\overleftrightarrow{}$.
- If the AM radio makes a whistling sound after you've pressed ●/|| in step 3, press MODE to select the position that most decreases the noise.

Note

When you start recording using CD DUBBING, you cannot set the player in pause.

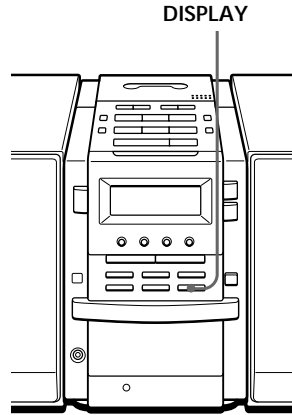
To	Press
stop recording	■ on the tape section
pause recording	●/ Press the button again to resume recording.
turn on/off the player	POWER

To erase a recording, proceed as follows:

- 1 Insert a tape you want to erase its recording into the tape deck and press ■ on the tape section.
- 2 On the player: press ●/|| and then ►. On the remote: While keeping ●/|| pressed, press TAPE ►.

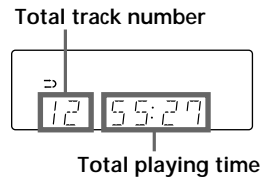
Using the display

You can check information about the CD using the display.



Checking the total track number and playing time

Press DISPLAY in stop mode.



Checking the remaining time

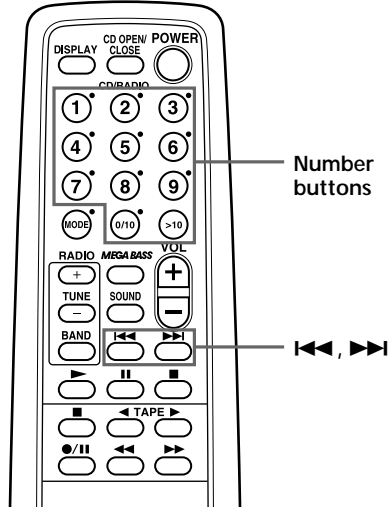
Press DISPLAY while playing a CD.

To display	Press DISPLAY
the current track number and the remaining time on the current track*	once
the number of tracks left and remaining time on the CD	twice
the current track number and playing time	three times

* For a track whose number is more than 20 the remaining time appears as "--:--".

Locating a specific track

You can quickly locate any track using the number buttons. You can also find a specific point in a track while playing a CD.



Note

You cannot locate a specific track if “SHUF” or “PGM” is lit in the display. Turn off the indication by pressing ■ on the CD section.

Tip

When you locate a track numbered over 10, press >10 first, then the corresponding number buttons.

Example:

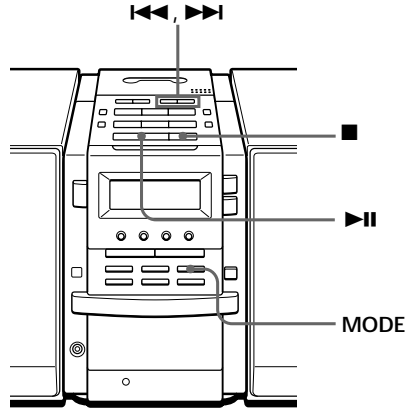
To play track number 23, press >10 first, then 2 and 3.

To locate	Press
a specific track directly	number button of the track.
a point while listening to the sound	◀◀ or ▶▶ while playing and hold down until you find the point.
a point while observing the display	◀◀ or ▶▶ in pause and hold down until you find the point.

Playing tracks repeatedly

(Repeat Play)

You can play tracks repeatedly in normal, single, shuffle or program play modes (see pages 16 - 18).



On the remote

- Use ▶ instead of ▶||.
- When you've selected "REP 1", select the track by pressing the number buttons.

1 Press ■ on the CD section.
"CD" appears in the display.

2 Proceed as follows:

To repeat	Do this
a single track	<ol style="list-style-type: none"> 1 Press MODE until "REP 1" appears. 2 Select the track by pressing ◀▶ or ▶ , then press ▶ .
all the tracks	<ol style="list-style-type: none"> 1 Press MODE until "REP ALL" appears. 2 Press ▶ .
tracks in random order	<ol style="list-style-type: none"> 1 Press MODE until "REP" and "SHUF" appear. 2 Press ▶ .
programed tracks	<ol style="list-style-type: none"> 1 Press MODE until "REP" and "PGM" appear. 2 Program tracks (see step 3 on page 17). 3 Press ▶ .

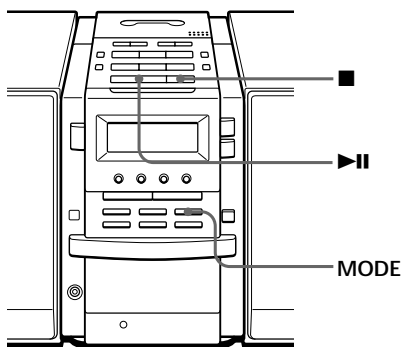
To cancel Repeat Play

Press MODE until "REP" disappears from the display.

Playing tracks in random order

(Shuffle Play)

You can play tracks in random order.



On the remote

Use ► instead of ►||.

- 1** Press ■ on the CD section.
“CD” appears in the display.
- 2** Press MODE until “SHUF” appears in the display.
- 3** Press ►||.

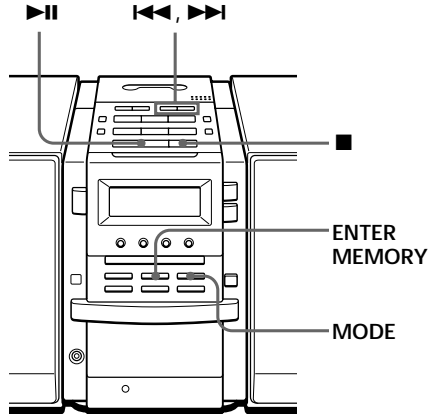
To cancel Shuffle Play

Press MODE until “SHUF” disappears from the display.

Creating your own program

(Program Play)

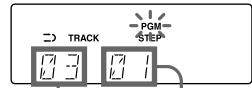
You can arrange the playing order of up to 20 tracks on a CD.



On the remote

- 1 Press ■.
- 2 Press MODE until "PGM" appears in the display.
- 3 Press the number buttons for the tracks you want to program in the order you want.
- 4 Press ▶.

- 1 Press ■ on the CD section.
"CD" appears in the display.
- 2 Press MODE until "PGM" appears in the display.
- 3 Press ◀◀ or ▶▶ to select the track you want to program, and press ENTER MEMORY.
Repeat this step.



- 4 Press ▶||.

continued

Creating your own program (Program Play) (continued)

Tips

- If you open the CD tray, the program is erased.
- You can record your own program.
 - 1 After you have created the program, insert a blank tape into the tape compartment.
 - 2 Press CD DUBBING.

To cancel Program Play

Press MODE until “PGM” disappears from the display.

To check the order of tracks before play

Press ENTER MEMORY on the player.

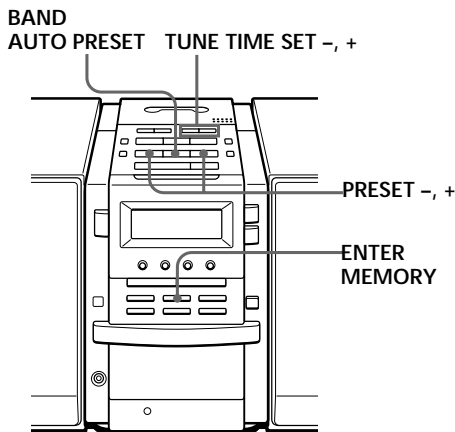
Every time you press the button, the track number appears in the programmed order.

To change the current program

Press ■ on the CD section once if the CD is stopped and twice if the CD is playing. The current program will be erased. Then create a new program following the programming procedure.

Presetting radio stations

You can store radio stations into the player's memory. You can preset up to 30 radio stations, 20 for FM (10 each for FM-1 and FM-2) and 10 for AM band in any order.



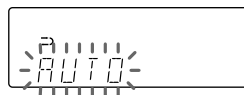
Tip

If you automatically preset the "FM1" or "FM2" band, 10 radio stations are stored in "FM1" band and 10 more radio stations are stored in "FM2" band.

On the remote

- 1 Press BAND to select the band.
- 2 Press TUNE + or - to set the frequency to the station you want.
- 3 Press and hold the number button that you want to preset the new station on for 2 seconds.

- 1 Press BAND • AUTO PRESET to select the band.
- 2 Hold down BAND • AUTO PRESET for 2 seconds until "AUTO" flashes in the display.



- 3 Press ENTER MEMORY.

The stations are stored in memory from the lower frequencies to the higher ones.

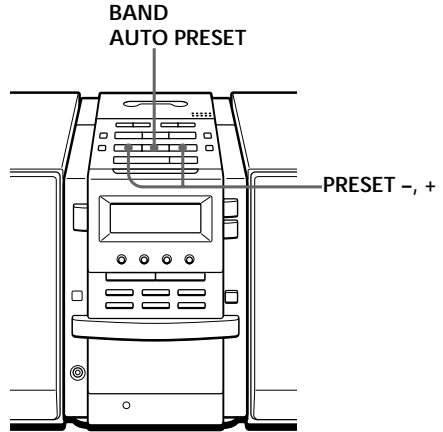
If a station cannot be preset automatically

You need to preset a station with a weak signal manually.

- 1 Press BAND • AUTO PRESET until the band you want appears in the display.
- 2 Press TUNE TIME SET + or - to set the frequency to the station you want.
- 3 Press and hold ENTER MEMORY for 2 seconds.
- 4 Press PRESET + or - until the preset number (1 to 10) you want for the station flashes in the display.
- 5 Press ENTER MEMORY again.

Playing preset radio stations

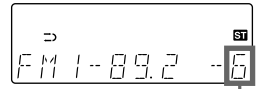
Once you've preset the stations, use PRESET +, - on the player or the number buttons on the remote to tune in your favorite stations.



On the remote

- 1 Press BAND to select the band.
- 2 Press the number button to display the preset number of the station you want.

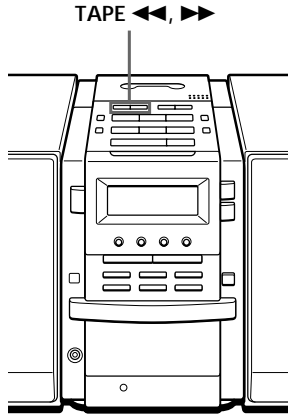
- 1 Press BAND • AUTO PRESET to select the band.
- 2 Press PRESET + or - to display the preset number of the station you want.



Preset number

Finding the beginning of a track

The player detects a blank between the tracks, and locates the beginning of the next/following track.



Notes

- To find the beginning of a track correctly, a blank of approx. 4 seconds between tracks is necessary.
- If a soft sound like pianissimo continues for some seconds in a track, the player may start to play as the next track.
- If you press the TAPE ►► or ◀◀ when there is no sound in the track, this function does not operate correctly.

While playing a tape, press TAPE ►► or ◀◀.

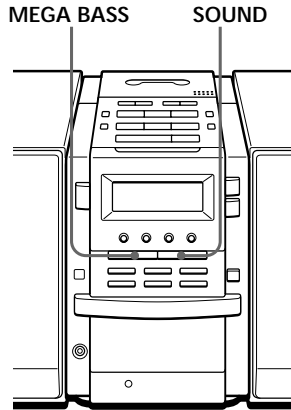
Playing side	The beginning of the next track	The beginning of the current track
Upper side (►)	►►	◀◀
Reverse side (◀)	◀◀	►►

The tape is wound or rewound to the beginning of the next or current track, and play will start automatically.

Selecting the audio emphasis

(SOUND/MEGA BASS)

You can adjust the audio emphasis of the sound you are listening to.



Selecting the sound characteristic

Press SOUND to select the audio emphasis you want.

Choose	To get
ROCK	powerful, clean sounds, emphasizing low and high range audio
POP	light, bright sounds emphasizing high and middle range audio
JAZZ	percussive sounds, emphasizing bass audio
VOCAL	the presence of vocals, stressing middle range audio
OFF	the whole dynamic range for music such as classical music

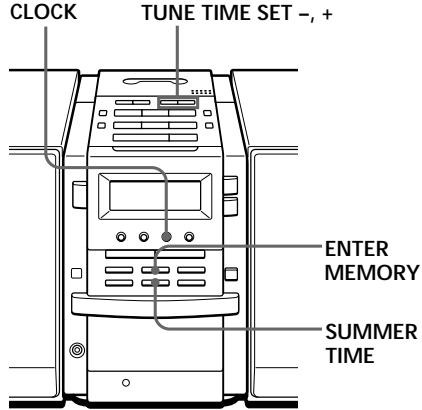
Reinforcing the bass sound

Press MEGA BASS.

"MEGA BASS" appears in the display. To return to normal sound, press the button again.

Setting the clock

“-:-:-” indication appears in the display until you set the clock.

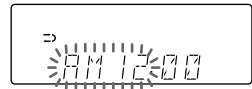


Tip

The time display system of this player is the 12-hour system.

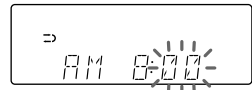
Before you begin, hook up the system (see pages 32 - 36).

1 Press and hold **CLOCK** until the hour digit flashes.

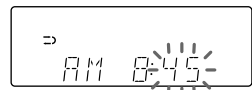


2 Set the clock.

① Press **TUNE TIME SET +** or **-** to set the hour and press **ENTER MEMORY**.



② Press **TUNE TIME SET +** or **-** to set the minutes.



3 If you are on daylight saving time, press **SUMMER TIME**.



4 Press **ENTER MEMORY**.

The clock starts from 00 seconds.

continued

Setting the clock (continued)

To change the display to the daylight saving time (summer time) indication

Press and hold SUMMER TIME for 2 seconds.

“SUMMER ON” appears in the display for a few seconds.

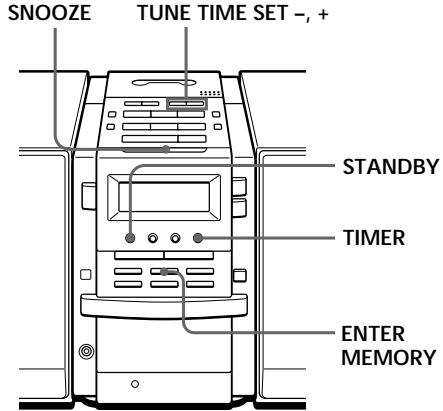
To cancel the summer time indication

Press and hold SUMMER TIME again.

“SUMMER OFF” appears in the display for a few seconds.

Waking up to music

You can wake up to music or a radio program at a preset time. Make sure you have set the clock (see “Setting the clock” on page 23).



Before you begin, make sure the ☰ (clock) indication is not lit in the display. If it is lit, press STANDBY.

1 Prepare the music source you want to play.

Source	Do this
CD	Insert a CD.
RADIO	Tune in a station.
TAPE	Insert a tape.
LINE	Turn on the equipment connected to LINE IN.

2 Press TIMER to display the ☰ indication.

Do the following operations by checking the display.



3 Press TUNE TIME SET + or - until the music source you want to play (“CD”, “TAPE”, “RADIO” or “LINE”) appears in the display, and press ENTER MEMORY.

continued

Waking up to music (continued)

4 Set the timer to the hour and the minutes you want the music to go on.

- ① Press TUNE TIME SET + or - to set the hour and press ENTER MEMORY.



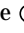
- ② Press TUNE TIME SET + or - to set the minutes, and press ENTER MEMORY.

5 Set the timer to the hour and the minutes you want the music to go off. (Do as step 4.)

6 Press TUNE TIME SET + or - to set the volume you want, and press ENTER MEMORY.




7 Press STANDBY.

The  indication lights up and the power goes off; the player enters the standby mode.

At the preset time, the power will go on and music will play. Then the power will go off at the preset time, and the player will enter the standby mode again.

Tips

- To exit the standby mode, press STANDBY to make the  indication disappear.
- The preset settings remain until you reset them.

To check/change the waking up timer settings

Press TIMER, then ENTER MEMORY. Each time you press ENTER MEMORY, a stored setting is displayed in the set order. To change the setting, display the setting you want to change and re-enter it.

To use the player before a timer playback starts

If you turn on the player, you can use it as usual (in case of the radio, if you listen to the station which is different from the one you tuned in step 1 on page 25, you will hear that station at the preset time.) Turn off the player before the preset time.

Note

To activate the snooze function, make sure that 6 or more minutes are left before the preset time for the music to go off.

To stop play

Turn off the power.

To doze for a few more minutes

Press SNOOZE.

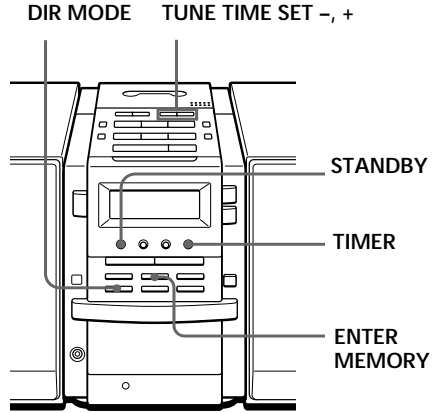
“SNOOZE” appears in the display and the power goes off. The player turns on automatically after about 5 minutes. You can repeat this process by pressing SNOOZE.

To cancel the snooze function

Press POWER to turn on the power.

Timer-recording radio programs

You can set timer to record the radio at a certain time. You can also record the sound of the component connected to the LINE IN jack, using the timer. Make sure you have set the clock (see “Setting the clock” on page 23).



Note

You cannot preset recording timer and waking up timer (page 25) at the same time.

Tip

When you receive the AM program in step 1, press ●/|| to check if the noise is heard. If so, press MODE to select the position that most decreases the noise.

Before you begin, make sure the ⌚ (clock) indication is not lit in the display. If it is lit, press STANDBY.

1 Tune in the radio station and insert a blank tape into the tape compartment with the side you want to record on facing up.

2 Press DIR MODE to select recording direction of the tape.

	Display
One side	⇄
Both sides	⇄⇄

3 Press TIMER to display the ⌚ indication.

Do the following operations by checking the display window.

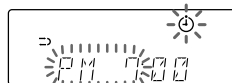


4 Press TUNE TIME SET + or - to display “RADIO” “REC”, and press ENTER MEMORY.



5 Set the timer to the hour and the minutes you want to start recording.

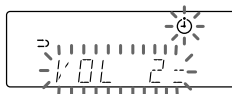
① Press TUNE TIME SET + or - to set the hour and press ENTER MEMORY.



② Press TUNE TIME SET + or - to set the minutes, and press ENTER MEMORY.

6 Set the timer to the hour and the minutes you want to stop recording. (Do as step 5.)

7 Press TUNE TIME SET + or - to set the volume you want, and press ENTER MEMORY.



8 Press STANDBY.

The power goes off and the player enters the standby mode. The ☀ indication and the recording side of the tape (upper side ► or reverse side ◀) appear in the display. If the ◀ indication appears, press STANDBY to change the recording side to ►.

At the preset time, the power will go on and the recording will start. Then the power will go off at the preset time, and the player will enter the standby mode again.

Tips

- To exit the standby mode, press STANDBY twice to make the ☀ indication disappear.
- The preset settings remain until you reset them.
- When you select both sides recording, the recording will stop after the both sides recording finishes so that accidental recording will not be made.

Timer-recording radio programs (continued)

To check/change the recording timer settings

Press **TIMER**, then **ENTER MEMORY**. Each time you press **ENTER MEMORY**, a stored setting is displayed in the set order. To change the setting, display the setting you want to change and re-enter it.

To use the player before a timer-recording starts

If you turn on the player, you can use it as usual. Before the preset time, tune in the station you want to record and turn off the power.

To stop timer-recording

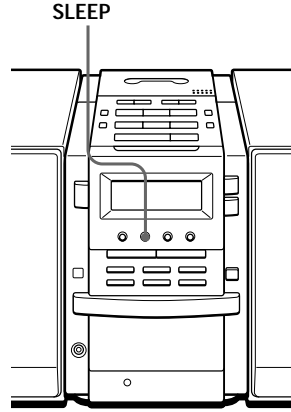
Turn off the power.

Note

During timer-recording, the **SNOOZE** function does not work.

Falling asleep to music

You can set the player to turn off automatically after 10, 20, 30, 60, 90 and 120 minutes, allowing you to fall asleep while listening to music.

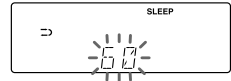


Tips

- The display window dims while the sleeping timer is on.
- You can combine the waking up timer with the sleeping timer. Set the waking up timer first (page 25), turn on the power, and then set the sleeping timer.
- You can prepare the different music for the waking up timer and the sleeping timer. However, you cannot store different radio stations.
- You can set different volume for the waking up timer and the sleeping timer. For instance, you can sleep at lower volume and wake up at higher volume.

- 1 Play the music source you want.
- 2 Press SLEEP to display "SLEEP."
- 3 Press SLEEP to select the minutes until the player goes off automatically.

Each time you press the button, the indication changes as follows:



"60" → "90" → "120" → no indication → "10" → "20" → "30".

If 4 seconds have passed after you pressed SLEEP, the minutes in the display are stored in memory.

When the preset time has passed, music stops and the player goes off automatically.

To cancel the sleep function

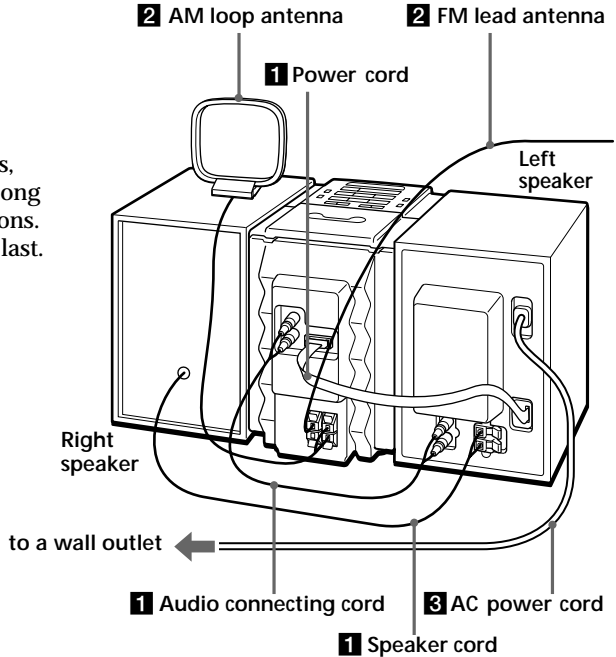
Press SLEEP to make "SLEEP" disappear from the display.

To change the preset time

Do the steps 2 and 3 again.

Hooking up the system

According to the illustrations, connect the cords firmly. Wrong connections cause malfunctions. Connect the AC power cord last.

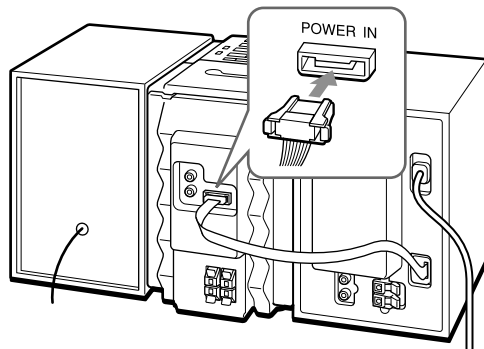


Notes

- Be sure to turn off the power of the player before connecting/disconnecting the AC power cord.
- Connect the supplied speakers to this player. If you connect any other speakers or equipment, a malfunction may occur.

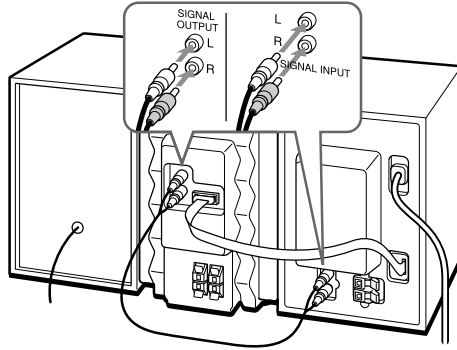
1 Hooking up the speakers

- 1 Connect the power cord of the **POWER OUTPUT** on the left speaker to the **POWER IN** jack of the player.



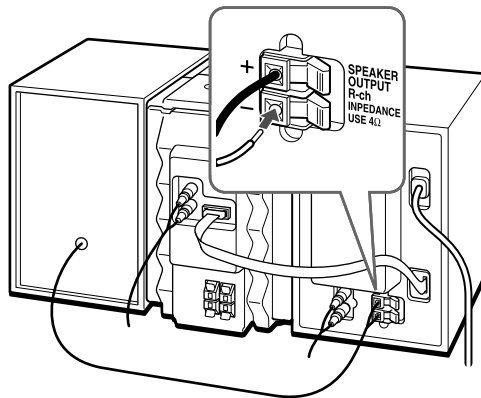
- 2** Connect the audio connecting cord (supplied) to the SIGNAL OUTPUT jacks of the player and the SIGNAL INPUT jacks of the left speaker.

Connect the white plugs to the L (left) jacks and the red plugs to the R (right) jacks.



- 3** Connect the speaker cord of the right speaker to the SPEAKER OUTPUT R-ch terminals of the left speaker.

- ① Press and hold the tab of the terminal.
- ② Connect the red wire to the (+) plus terminal, and the black wire to the (-) minus terminal.
- ③ Release the tab of the terminal.



continued

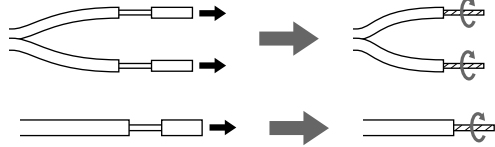
Hooking up the system (continued)

Note

Keep the AM loop antenna away as far as possible from the player. If you do not, noise may be heard.

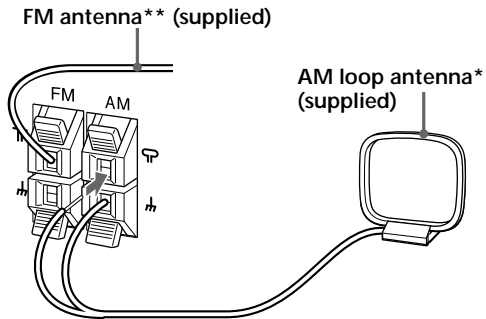
2 Hooking up the antennas

- 1 Strip the coating from the end of the cable and twist the wires.



- 2 Connect the wires of the AM loop antenna and the FM lead antenna to the terminals.

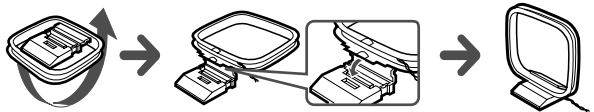
- 1 Press and hold the tab of the terminal.
- 2 Connect the wires to the terminal.
- 3 Release the tab of the terminal.



* Reorient the antenna to improve broadcast reception.

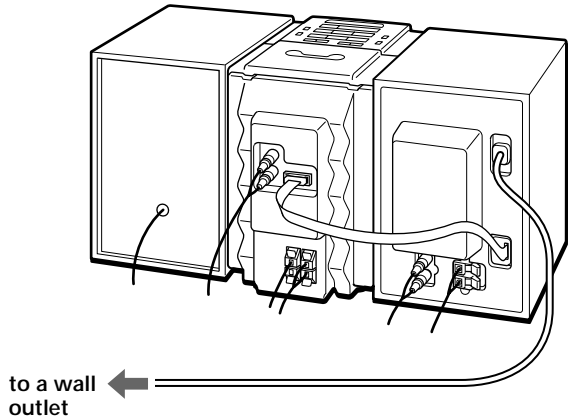
** Keep the antenna as horizontal as possible.

Setting up the AM loop antenna

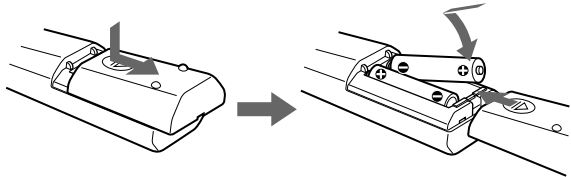


3 Connecting the AC power cord

Connect the AC power cord of the left speaker to a wall outlet.



4 Inserting batteries into the remote



Insert two AA (size R6) batteries (not supplied)

Replacing batteries

With normal use, the batteries should last for about six months. When the remote no longer operates the player, replace all the batteries with new ones.

continued

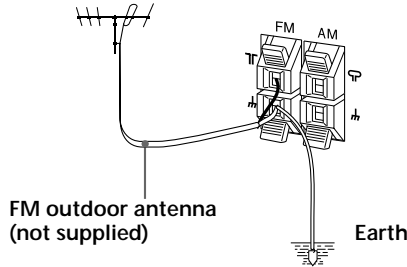
Hooking up the system (continued)

Important

When you use an outdoor antenna, be sure to connect the terminal to earth against lightning. To prevent a gas explosion, do not connect the ground wire to a gas pipe.

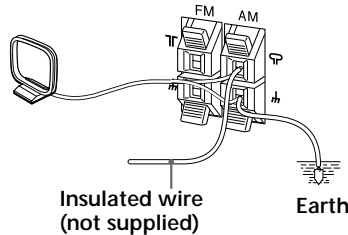
To improve the FM reception

Connect the FM outdoor antenna (not supplied). If you use a distributor, you can also use the TV antenna.



To improve the AM reception

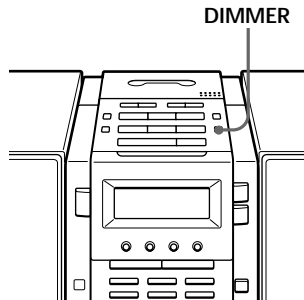
Connect a 6- to 15-meter (20- to 50 feet) insulated wire (not supplied) to the AM antenna terminal. Keep the wire as horizontal as possible near the window or outdoor. You do not need to disconnect the supplied AM loop antenna.



To dim the back light of the display

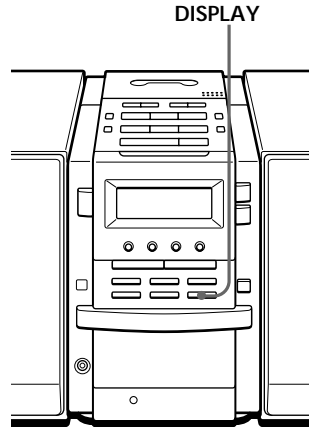
Press DIMMER.

To lighten the display, press DIMMER again.



Saving power

Even when power is turned off, this player consumes about 7.4 W for time indication, timer operation and remote control reception. If you use the saving power function, you can reduce power consumption to less than 1W.



When power is turned off, press and hold DISPLAY for about 2 seconds.

The player enters the lower power consumption standby mode.

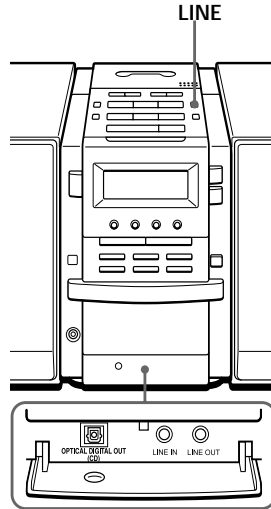
To make the time indication appear, press and hold DISPLAY for about 2 seconds when the player is turned off.

Connecting optional components

You can record a CD on a MiniDisc or enjoy the sound from a VCR, TV or MiniDisc player/recorder through the speakers of this player.

Be sure to turn off the power of each component before making connections.

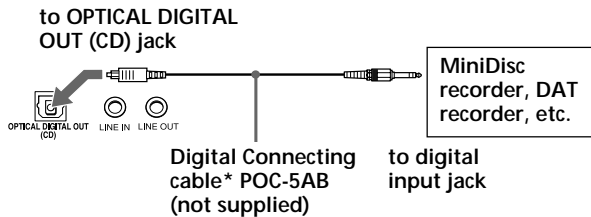
For details, refer to the instruction manual of the component to be connected.



Note

Connect the cables firmly to avoid any malfunction.

Recording a CD on a MiniDisc recorder and DAT recorder



* Select a connecting cable depending on the type of the digital input jack of the recorder to be connected. For details, refer to the instruction manual of the component to be connected. The OPTICAL DIGITAL OUT (CD) jack of this player is square-shaped jack.

The type of the jack of the component to be connected	Model number of the connecting cable
Optical miniplug (MiniDisc recorder, etc.)	POC-5AB, POC-10AB, POC-15AB
L-type 7-pin connector (DAT recorder, etc.)	POC-DA12P
Square-shaped optical connector (MiniDisc recorder, DAT recorder, etc.)	POC-10A, POC-15A

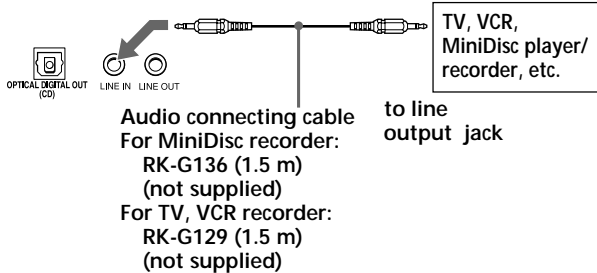
Notes

- As long as “CD” appears in the display, the optical digital output jack is in operation and the jack lights even if the CD is in stop mode.
- If you play a CD-ROM that is not for audio use, noise may be heard.

- 1** Remove the jack cover from the OPTICAL DIGITAL OUT (CD) jack of this player and connect the jack with the digital input jack of the MiniDisc recorder or other component using the digital connecting cable (not supplied) .
- 2** Turn on the power of this player and the connected component.
- 3** Make the connected component ready for recording.
- 4** Start playing a CD on this player.

Listening to TV, VCR and MiniDisc player/recorder

to LINE IN jack



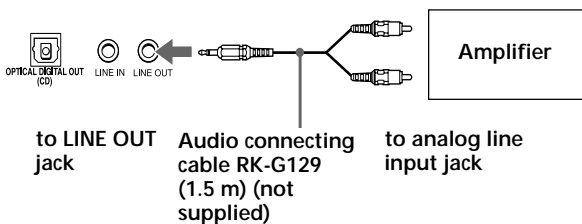
Tip

You can record the sound of the connected component. Insert a blank tape into the tape compartment, and press ●/|| then ► (page 11).

- 1** Connect the LINE IN jack of this player with the line output jack of the MiniDisc player or other component using the audio connecting cable (not supplied) .
- 2** Turn on the power of this player and the connected component.
- 3** Press LINE and start playing sound on the connected component.
 The sound from the connected component is output from the speakers.

continued

Listening through the speakers of other audio equipment



- 1** Connect the LINE OUT jack of this player with the analog line input jack of the amplifier using the audio connecting cable (not supplied) .
- 2** Turn on the power of this player and the amplifier and start playing sound on this player.

Precautions

On safety

- As the laser beam used in the CD player section is harmful to the eyes, do not attempt to disassemble the casing. Refer servicing to qualified personnel only.
- Should any solid object or liquid fall into the player, unplug the player, and have it checked by qualified personnel before operating it any further.

On power sources

- The player is not disconnected from the AC power source (mains) as long as it is connected to the wall outlet, even if the player itself has been turned off.
- Unplug the player from the wall outlet when it is not be used for an extended period of time.
- When the batteries are not to be used, remove them to avoid damage that can be caused by battery leakage or corrosion.
- The nameplate indicating operating voltage, power consumption, etc. is located at the rear of the left speaker.

On placement

- Do not leave the player in a location near heat sources, or in a place subject to direct sunlight, excessive dust or mechanical shock.
- Do not place the player on an inclined or unstable place.
- Do not place anything within 10 mm of the side of the cabinet. The ventilation holes must be unobstructed for the player to operate properly and prolong the life of its components.
- If the player is left in a car parked in the sun, be sure to choose a location in the car where the player will not be subjected to the direct rays of the sun.
- Since a strong magnet is used for the speakers, keep personal credit cards using magnetic coding or spring-wound watches away from the player to prevent possible damage from the magnet.

On operation

- If the player is brought directly from a cold to a warm location, or is placed in a very damp room, moisture may condense on the lenses inside the CD player section. Should this occur, the player will not operate properly. In this case, remove the CD and wait about an hour for the moisture to evaporate.
- If the player has not been used for a long time, set it in the playback mode to warm it up for a few minutes before inserting a cassette.

If you have any questions or problems concerning your player, please consult your nearest Sony dealer.

continued

Precautions (continued)

Notes on CDs

- Before playing, clean the CD with a cleaning cloth. Wipe the CD from the center out.

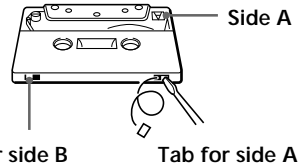


- Do not use solvents such as benzine, thinner, commercially available cleaners or anti-static spray intended for vinyl LPs.
- Do not expose the CD to direct sunlight or heat sources such as hot air ducts, nor leave it in a car parked in direct sunlight as there can be a considerable rise in temperature inside the car.
- Do not stick paper or sticker on the CD, nor scratch the surface of the CD.
- After playing, store the CD in its case.

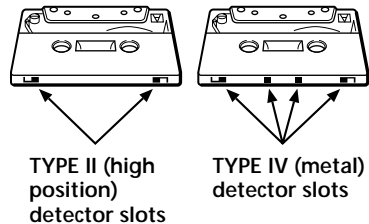
If there is a scratch, dirt or fingerprints on the CD, it may cause tracking error.

Notes on cassettes

- Break off the cassette tab from side A or B to prevent accidental recording. If you want to reuse the tape for recording, cover the broken tab with adhesive tape.



- Take care not to cover the detector slots on TYPE II (high position) or TYPE IV (metal) cassettes. If the slots are covered, the automatic tape selection system will not operate correctly.



- The use of a cassette with more than 90 minutes of play time is not recommended except for long, continuous recording or playback.

Troubleshooting

	Symptom	Remedy
General	There is no audio.	<ul style="list-style-type: none"> • Press POWER to turn on the player. • Connect the AC power cord to a wall outlet securely. • Connect the power cord to the POWER IN of the player (see page 32). • Connect the audio connecting cord correctly (see page 33). • Adjust the volume. • Unplug the headphones when listening through speakers.
	Noise is heard.	<ul style="list-style-type: none"> • Someone is using a portable telephone or other equipment that emits radio waves near the player. → Move the portable telephone, etc., away from the player.
	“NO DISC” lights in the display even when a CD is in place.	<ul style="list-style-type: none"> • Insert the CD with the label surface up.
CD Player	The CD does not play.	<ul style="list-style-type: none"> • Make sure that the CD tray is closed. • Place the CD with the label surface up. • Clean the CD. • Take out the CD and leave the CD tray open for about an hour to dry moisture condensation. • Press ■ on the CD section to switch the function of the player to “CD”.
	The sound drops out.	<ul style="list-style-type: none"> • Reduce the volume. • Clean the CD, or replace it if the CD is badly damaged. • Place the player in a location free from vibration. • The sound may drop out or noise may be heard if the CD is recorded using a personal computer (CD-R, etc.).

continued

Troubleshooting (continued)

	Symptom	Remedy
Radio	The audio is weak or has poor quality.	<ul style="list-style-type: none"> • Move the player away from the TV. • If you are using the remote while listening to AM radio, noise may be heard. This is unavoidable.
	The audio is not stereo.	<ul style="list-style-type: none"> • Press MODE on the player until "STEREO" appears.
	The picture of your TV becomes unstable.	<ul style="list-style-type: none"> • If you are listening to an FM program near the TV with an indoor antenna, move the player away from the TV.
Tape Player	The tape does not move when you press an operation button.	<ul style="list-style-type: none"> • Close the cassette compartment securely.
	The ●/■ button does not function/ The tape does not play.	<ul style="list-style-type: none"> • Make sure the safety tab on the cassette is in place. • Press ■ on the TAPE section to switch the function of the player to "TAPE".
	The tape does not erase completely.	<ul style="list-style-type: none"> • Clean the erase head (see page 46). • The source which was recorded on TYPE II (high position) or TYPE IV (metal) tape using this unit is being played. Record on TYPE I (normal) tape and play.
	The tape does not record.	<ul style="list-style-type: none"> • Make sure the tape is inserted properly. • Make sure the safety tab of the cassette is in place.
	The audio is weak/The audio quality is poor.	<ul style="list-style-type: none"> • Clean the heads, pinch rollers and capstans (see page 46). • Demagnetize the heads using a demagnetizer (see page 46).
	The tape player cannot be paused during playback.	<ul style="list-style-type: none"> • The tape player can be paused during recording only.

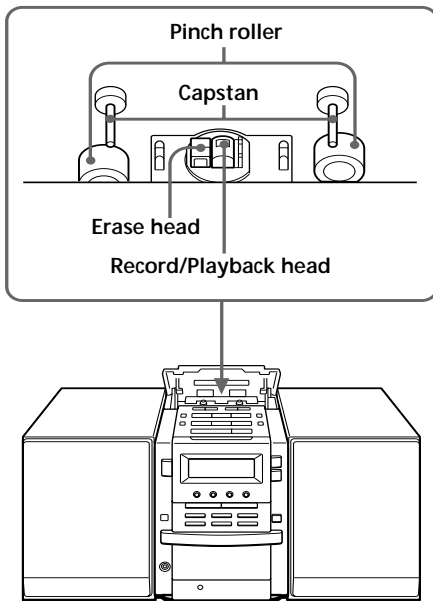
	Symptom	Remedy
Timer	The timer does not operate.	<ul style="list-style-type: none"> • Make sure the time on the clock is correct. • Check to see if the AC power had been cut off. • Make sure the tape has not wound to the end. • Make sure the ⌚ (clock) indication is displayed.
	The remote does not function.	<ul style="list-style-type: none"> • Replace all the batteries in the remote with new ones if they are weak. • Make sure that you are pointing the remote at the remote sensor on the player. • Remove any obstacles in the path of the remote and the player. • Make sure the remote sensor is not exposed to strong light such as direct sunlight or fluorescent lamp light. • Move closer to the player when using the remote.

After trying the above remedies, if the problem persists, please consult your nearest Sony dealer.

Maintenance

Cleaning the tape heads and tape path

Wipe the heads, the pinch rollers and the capstans with a cleaning swab slightly moistened with cleaning fluid or alcohol after every 10 hours of operation for optimum playback and recording quality. To make the best possible recording, however, we recommend that you clean all surfaces over which tape travels before each recording.



After cleaning, insert a tape when the areas cleaned are completely dry.

Demagnetizing the tape heads

After 20 to 30 hours of use, enough residual magnetism will have built up on the tape heads to begin to cause loss of high frequency sound and hiss. At this time, you should demagnetize the heads and all metal parts in the tape path with a commercially available tape head demagnetizer.

Cleaning the cabinet

Clean the cabinet, panel and controls with a soft cloth slightly moistened with a mild detergent solution. Do not use any type of abrasive pad, scouring powder, or solvent, such as alcohol or benzine.

Specifications

AUDIO POWER SPECIFICATIONS

POWER OUTPUT AND TOTAL HARMONIC DISTORTION

With 4-ohm loads, both channels driven from 150 - 10,000 Hz; rated 13 W per channel—minimum RMS power, with no more than 10 % total harmonic distortion in AC operation.

Other Specifications

CD player section

System

Compact disc digital audio system

Laser diode properties

Material: GaAlAs

Wave length: 780 nm

Emission duration: Continuous

Laser output: Less than 44.6 μ W (This output is the value measured at a distance of about 200 mm from the objective lens surface on the optical pick-up block with 7 mm aperture.)

Spindle speed

200 r/min (rpm) to 500 r/min (rpm) (CLV)

Number of channels

2

Frequency response

20 - 20,000 Hz +0/-1 dB

Wow and flutter

Below measurable limit

Radio section

Frequency range

FM: 87.6 - 108 MHz

AM: 530 - 1,710 kHz

Antennas

FM: Lead antenna

AM: Loop antenna

Cassette-corder section

Recording system

4-track 2 channel stereo

Fast winding time

Approx. 120s (sec.) with Sony cassette C-60

Frequency response

TYPE I (normal): 50 - 14,000 Hz

General

Speaker

Full range: 8 cm (3 1/4 in.) dia., 4 ohms, cone type x 2

Input

LINE IN jack (stereo minijack)

Minimum input level 440 mV

Outputs

Headphones jack (stereo minijack)

For 16 - 64 ohms impedance headphones

LINE OUT jack (stereo minijack)

Rated output level 330 mV at load impedance 47 kilohms

OPTICAL DIGITAL OUT (CD) (optical output connector)

Wavelength: 760 - 880 nm

Power output (excluding US model)

15 W + 15 W (at 4 ohms, 10% harmonic distortion in AC operation)

Power requirements

For personal component system:

120V AC, 60 Hz

For remote control:

3 V DC, 2 AA (size R6) batteries

Power consumption

AC 45 W (US model)

AC 50 W (Canadian model)

Dimensions (incl. projecting parts)

Player: approx. 137 \times 202 \times 212 mm (w/h/d)
(5 1/2 \times 8 \times 8 3/8 inches)

Left speaker: approx. 137 \times 202 \times 212 mm
(w/h/d) (5 1/2 \times 8 \times 8 3/8 inches)

Right speaker: approx. 137 \times 202 \times 180 mm
(w/h/d) (5 1/2 \times 8 \times 7 1/8 inches)

Mass

Player: approx. 1.8 kg (3 lb. 15 oz.)

Left speaker: approx. 3 kg (6 lb. 10 oz.)

Right speaker: approx. 1.5 kg (3 lb. 5 oz.)

Supplied accessories

Remote control (1)

FM lead antenna (1)

AM loop antenna (1)

Audio connecting cord (1)

Design and specifications are subject to change without notice.

Optional accessories

Sony MDR headphone series

Index

A

Audio emphasis 22

B

Batteries for remote 35

C

CD player 13

Cleaning

cabinet 46

tape heads and tape path 46

Connecting

AC power cord 35

optional components 38

the system. See

Hooking up the system

Creating your own program 17

D, E

Demagnetizing the tape heads 46

DIMMER 36

Display 13

F, G

Finding

the beginning of a track 21

H

Hooking up

antennas 34

speakers 32

system 32

I, J, K

Improving broadcast reception 7

L

Listening

through the speakers of other audio equipment 40

to the radio 6

to the TV, VCR and MD player 39

Locating

a specific track 5, 14

M, N, O

MEGA BASS 22

P, Q

Playing

a CD 4

a tape 8

preset radio stations 20

tracks in random order 16

tracks repeatedly 15

Presetting radio stations 19

Program Play 17

R

Radio stations

playing 6

presetting 19

Recording

all the tracks on CD 11

on a tape 10

on an MD or a DAT 38

programed tracks 18

timer-recording radio

programs 28

Repeat Play 15

S

Selecting

audio emphasis 22

direction of the tape 9

Setting the clock 23

Setting up 32

Shuffle Play 16

SNOOZE 27

SOUND 22

SUMMER TIME 23

T

Tape player 21

Timer

Falling asleep to music 31

Timer-recording radio programs 28

Waking up to music 25

Troubleshooting 43

U, V, W, X, Y, Z

Using the display 13