

SONY

3-753-171-21(1)

Stereo Turntable System

PS-LX120D

Operating Instructions

Owner's Record

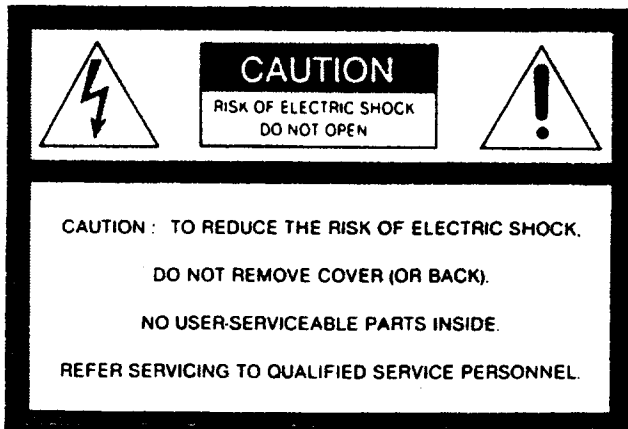
The model and serial numbers are located at the rear. Record these numbers in the spaces provided below. Refer to them whenever you call upon your Sony dealer regarding this product.

Model No. PS-LX120D

Serial No. _____

WARNING

To prevent fire or shock hazard, do not expose the unit to rain or moisture.



This symbol is intended to alert the user to the presence of uninsulated "dangerous voltage" within the product's enclosure that may be of sufficient magnitude to constitute a risk of electric shock to persons.



This symbol is intended to alert the user to the presence of important operating and maintenance (servicing) instructions in the literature accompanying the appliance.

* The graphical symbols are on the bottom enclosure.

© 1991 by Sony Corporation

Precautions

On safety

- Operate the unit only on 120V AC, 60 Hz.
- Should any solid object or liquid fall into the cabinet unplug the unit and have it checked by qualified personnel before operating it any further.
- Unplug the unit from the wall outlet if it is not to be used for an extended period of time. To disconnect the cord, pull it out by the plug. Never pull the cord itself.

On installation

- Place the turntable on a level surface.
- Avoid placing the unit near electrical appliances (such as a television, hair dryer, or fluorescent lamp) which may cause hum or noise.
- Place the turntable where it will not be subject to any vibration, such as from speakers, slamming of doors, etc.
- Keep the unit away from direct sunlight, extremes of temperature, and excessive dust and moisture.

On repacking

Do not throw away the carton and packing materials. It is an ideal container in when transporting the unit for repair work, etc.

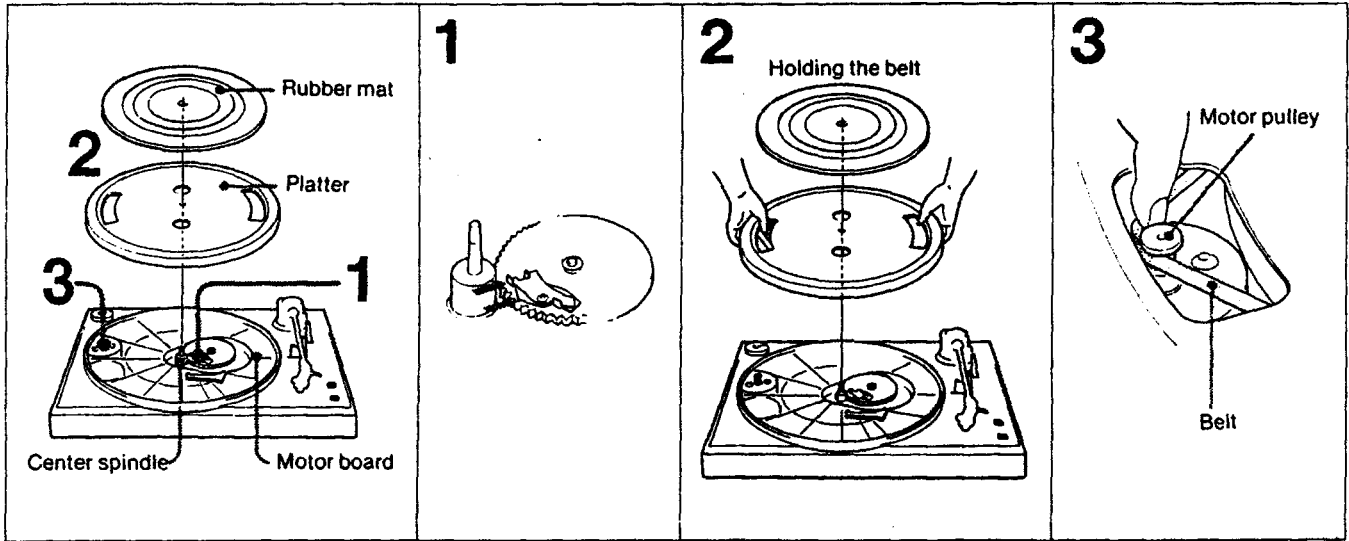
On cleaning

- Before playing a record, clean the stylus with a soft brush. Brush the stylus from back to front. Never attempt to clean the stylus with your finger tip. If a fluid stylus cleaner is used, make sure not to moisten the stylus too much.
- Clean the cabinet periodically with a soft dry cloth. If the stains are difficult to remove, use a cloth moistened with a mild detergent solution. Do not use solvents such as alcohol, benzine or thinner, since they will damage the finish.

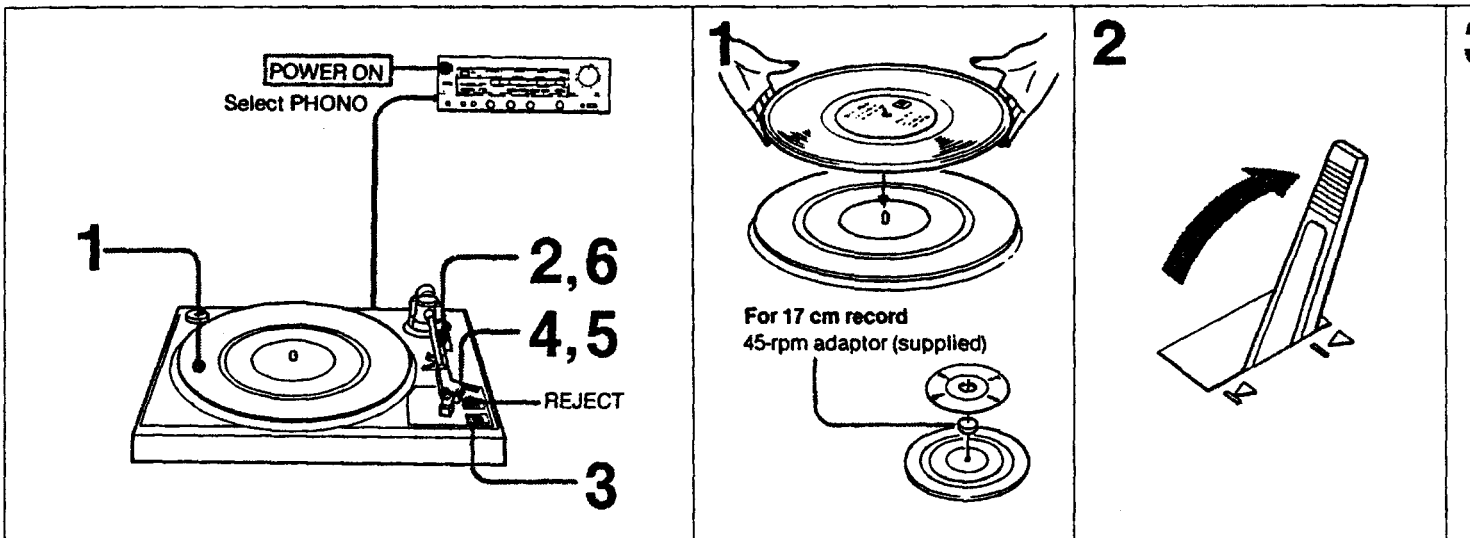
For the customers in the U.S.A.

For detailed precautions, see the leaflet "IMPORTANT SAFEGUARDS".

Turntable Assembly



Record Playing



When the record has finished playing
When the tonearm reaches the end of the record, it will automatically return to the arm rest.

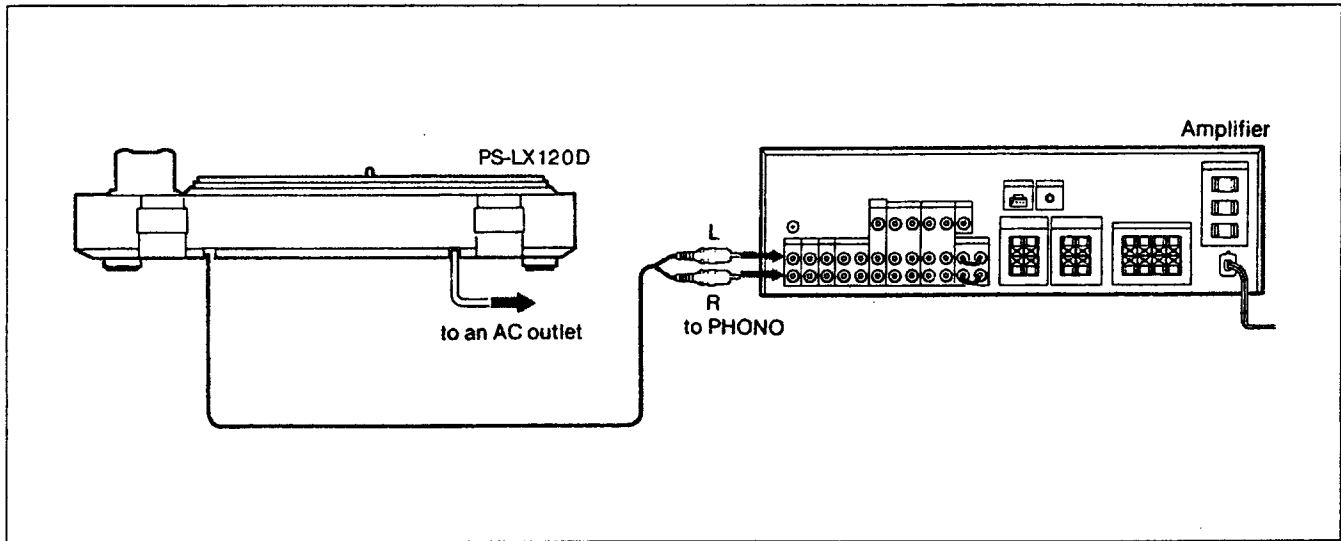
To lift up the stylus during play
Set the cueing lever to **1**.

To stop during play
Press REJECT.

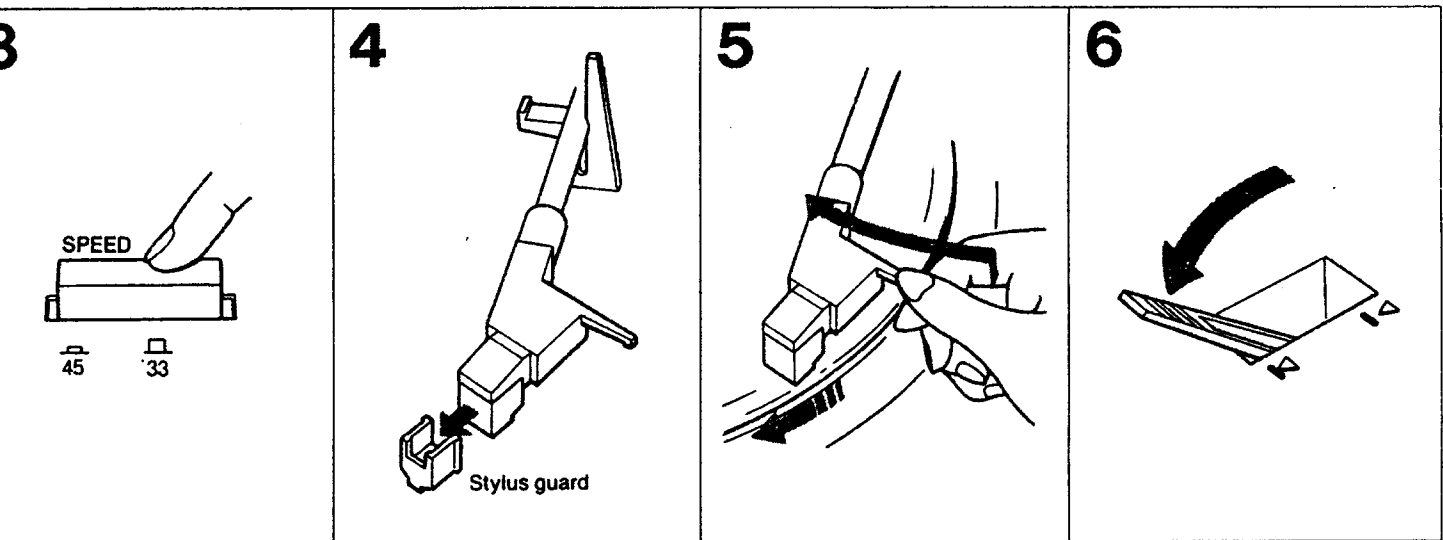
Notes

- If the tonearm does not return to the arm rest during the initial operation, press the REJECT button. After this, the tonearm will automatically return to the arm rest.
- If you move the tonearm close to the center while the turntable is rotating, the tonearm may return to the arm rest. Do not resist this movement, as this may damage the automatic return mechanism.

Connections



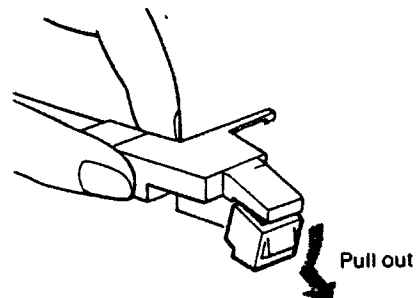
Connect the red plug to the right-channel jack (R), and the white plug to the left-channel jack (L).



Replacing the Stylus

Replace the stylus after approximately 400 hours of use. An ND-155G replacement stylus is available at your Sony dealer. Handle this delicate stylus with care.

- 1 Turn off POWER of the amplifier.
- 2 Secure the tonearm to the arm rest.
- 3 Detach the stylus assembly by grasping it with your fingers.
- 4 Insert the new stylus.



Troubleshooting

Before going through the check list below, first make sure that:

- The power cord is securely connected
- The red and white plugs are securely connected

Should any problem persist after you have made these checks, consult your nearest Sony dealer.

Trouble	Cause and remedy
Tonearm skips, skates or does not advance.	• Turntable is not level. • Relocate player to a level surface.
	• Clean record with commercially available record cleaning kit.
	• Replace defective record.
Poor tone quality.	• Remove dust on stylus by blowing, or with stylus cleaning brush.
	• Replace worn stylus.
Rumble or low-frequency howl*	• Relocate turntable to a steady level surface.
	• Relocate turntable or speaker.

* This is called "acoustic feedback" and is caused when vibrations from the speakers are transmitted through the air or via solid objects (such as the shelves, the cabinet, the floor, etc.) to the turntable, where they are picked up by the stylus, amplified and reproduced through the speakers once again.

Specifications

Platter	30 cm(12 inches)	Weight	Approx. 3.3kg (7 lb 5 oz) net
Motor	DC servo motor	Power requirement	120 V AC, 60 Hz
Drive system	Belt Drive	Power consumption	4 watts
Speed	33 $\frac{1}{3}$ rpm, 45 rpm	Accessories supplied	45-rpm adaptor (1) Dust cover (1)
Automatic system	Return, reject		
Tonearm type	Statically balanced		
Cartridge type	Moving magnet type		
Stylus	Sony ND-155G (0.6 mil diamond)		

Design and specifications subject to change without notice.

General

Dimensions	Approx. 430 × 105 × 350mm (w/h/d) (17 × 4 $\frac{1}{4}$ × 13 $\frac{7}{8}$ inches).
------------	--