

# ***Stereo Turntable System***

---

Operating Instructions

*PS-LX150H*

# Warning


## Owner's Record

The model and serial numbers are located at the rear. Record these numbers in the spaces provided below. Refer to them whenever you call upon your Sony dealer regarding this product.

Model No. PS-LX150H      Serial No. \_\_\_\_\_

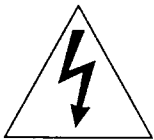
### WARNING

**To prevent fire or shock hazard, do not expose the unit to rain or moisture.**



**CAUTION**  
RISK OF ELECTRIC SHOCK  
DO NOT OPEN

CAUTION : TO REDUCE THE RISK OF ELECTRIC SHOCK,  
DO NOT REMOVE COVER (OR BACK).  
NO USER-SERVICEABLE PARTS INSIDE.  
REFER SERVICING TO QUALIFIED SERVICE PERSONNEL.



This symbol is intended to alert the user to the presence of uninsulated "dangerous voltage" within the product's enclosure that may be of sufficient magnitude to constitute a risk of electric shock to persons.



This symbol is intended to alert the user to the presence of important operating and maintenance (servicing) instructions in the literature accompanying the appliance.

\* The graphic symbols are on the bottom enclosure.

# Table of Contents

Connections .....	3
Playing records .....	4
Maintenance .....	5
Specifications .....	5
Troubleshooting .....	6

## Precautions

### On safety

- Operate the unit only on 120 V AC, 60 Hz.
- Should any solid object or liquid fall into the cabinet, unplug the unit and have it checked by qualified personnel before operating it any further.
- Unplug the unit from the wall outlet if it is not to be used for an extended period of time. To disconnect the cord, pull it out by the plug. Never pull the cord itself.
- The unit is not disconnected from the AC power source (mains) as long as it is connected to the wall outlet, even if the unit itself has been turned off.
- The nameplate indicating operating voltage, power consumption, etc. is located on the rear exterior.

### On repacking

Keep the carton and packing materials. They provide an ideal container to transport the unit.

### For the customers in the U.S.A.

For detailed precautions, see the leaflet "IMPORTANT SAFEGUARDS".

### For the customers in Canada

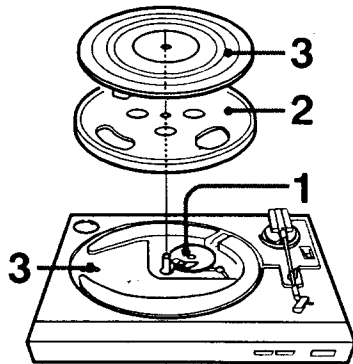
#### CAUTION:

TO PREVENT ELECTRIC SHOCK, DO NOT USE THIS POLARIZED AC PLUG WITH AN EXTENSION CORD, RECEPTACLE OR OTHER OUTLET UNLESS THE BLADES CAN BE FULLY INSERTED TO PREVENT BLADE EXPOSURE.

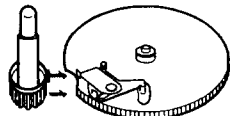
If you have any question or problem concerning your unit that is not covered in this manual, please consult your nearest Sony dealer.

# Connections

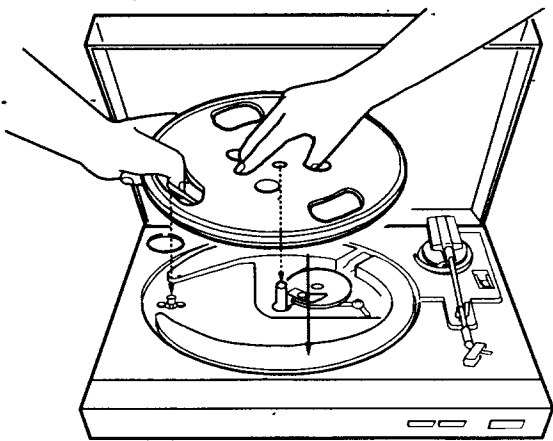
## Assembling the Turntable



- 1** Move the metallic parts inside the larger gear in the direction of arrows.



- 2** Set the turntable on the spindle, gripping the three holes at the center of the turntable with your right hand, and holding the black rubber belt with your left thumb.

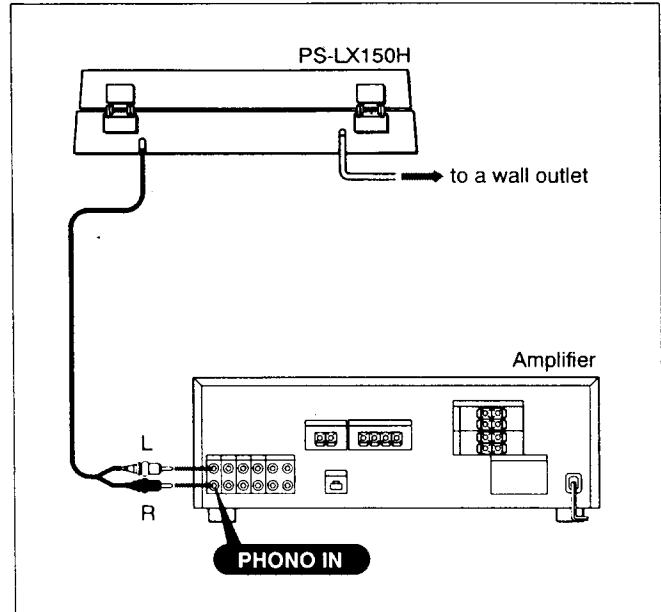


- 3** Hook the belt on the pulley and place the rubber mat on the turntable. To make sure it operates properly, spin the turntable clockwise once or twice with your hand.



## Connecting to the Amplifier

Connect the red plug to the right-channel jack (R), and the white plug to the left-channel jack (L).

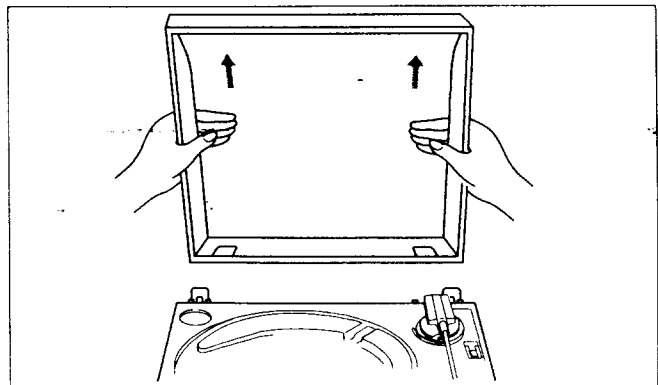


### Notes on installation

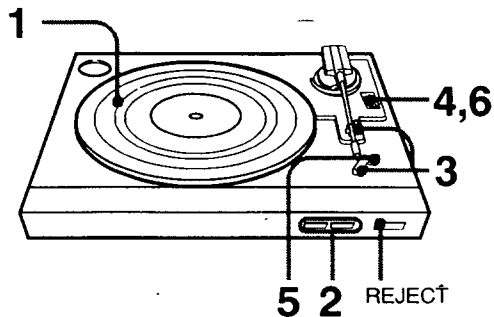
- Place the turntable on a level surface.
- Avoid placing the unit near electrical appliances (such as a television, hair dryer, or fluorescent lamp) which may cause hum or noise.
- Place the turntable where it will not be subject to any vibration, such as from speakers, slamming of doors, etc.
- Keep the unit away from direct sunlight, extremes of temperature, and excessive dust and moisture.

### To remove the dust cover

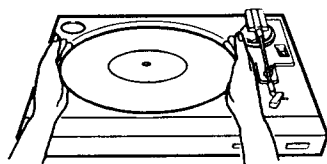
Open the cover fully and pull it up.



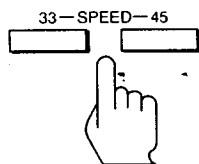
# Playing Records



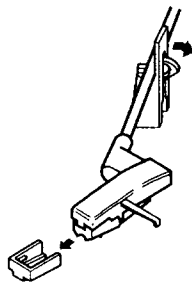
**1** Place a record on the turntable.



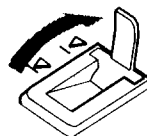
**2** Press the SPEED button to select the speed.



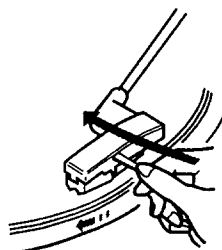
**3** Remove the cover from the cartridge, and release the stopper from the tone arm.



**4** Set the cueing lever to  $\nabla$ .



**5** Move the tone arm by hand to the desired point. The turntable automatically starts rotating.



**6** Set the cueing lever to  $\nabla$ .



## When the record is played to the end

The tone arm returns to the arm rest and the turntable stops.

## To stop during play

Press the REJECT button.

## To play a different part of the record

Lift the tone arm by setting the cueing lever to  $\nabla$ , move the tone arm by hand to the desired point, then set the cueing lever to  $\nabla$ .

## To play a 17-cm record

Use the supplied adaptor.

## If the tone arm moves outward when you move it close to the center

Do not resist this movement, as it may damage the automatic return mechanism.

## If the tone arm does not return to the arm rest

Press the REJECT button.

## Maintenance

### Cleaning the Stylus

Before playing a record, clean the stylus with a soft brush. Brush stylus from back to front. Never attempt to clean the stylus with your finger tip. If a fluid stylus cleaner is used, make sure not to moisten the stylus too much.

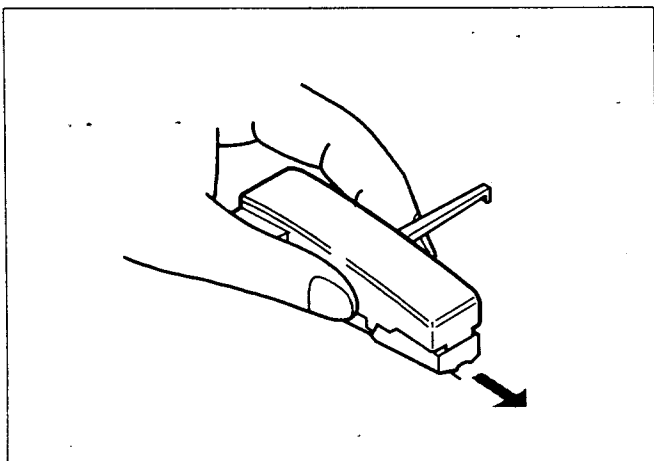
### Cleaning the Cabinet

Clean the cabinet and dust cover periodically with a soft dry cloth. If stains are difficult to remove, use a cloth moistened with a mild detergent solution. Do not use solvents such as alcohol, benzine or thinner, since they will damage the finish.

### Replacing the Stylus

Replace the stylus after about 400 hours of use because using a worn stylus will damage records. A CN-234 replacement stylus is available at your Sony dealer. Be sure to turn the amplifier off before proceeding with replacement.

- 1 While holding the cartridge, detach the stylus assembly as illustrated.
- 2 Insert the new stylus into the cartridge.



## Specifications

Platter	30 cm (12 in.), aluminum-alloy diecast
Motor	DC servo motor
Drive system	Belt drive
Speed	33 1/3 r/min, 45 r/min
Automatic system	Return, reject
Tone arm type	Statically balanced
Cartridge type	Moving magnet type
Stylus	CN-234

### General

Dimensions	Approx. 430 × 103 × 355 mm (w/h/d) (17 × 4 1/16 × 14 inches)
Weight	Approx. 2.9 kg (6 lb 6 oz)
Power requirement	120 V AC, 60 Hz
Power consumption	4 W
Supplied accessory	45-r/min adaptor (1)

Design and specifications subject to change without notice.

# Troubleshooting

Before going through the check list below, first make sure that:

- The power cord is securely connected.
- The speaker cords are securely connected.

Should any problem persist after you have made these checks, consult your nearest Sony dealer.

Symptom	Cause	Remedy
The tone arm skips, skates or does not advance.	The turntable is not level.	Place the turntable on a level surface.
	The record is dirty or scratched.	Clean the record with commercially available record cleaning kit, or replace the record.
Poor tone quality.	The stylus is dusty or worn.	Remove dust on the stylus by blowing or with stylus cleaning brush, or replace the worn stylus.
Rumble or low-frequency howl*.	The turntable is placed too close to speakers.	Move speakers away from the turntable.

\* This is called "acoustic feedback" and is caused when vibrations from the speakers are transmitted through the air or via solid objects (such as the shelves, the cabinet, the floor, etc.) to the turntable where they are picked up by the stylus, amplified and reproduced through the speakers once again.