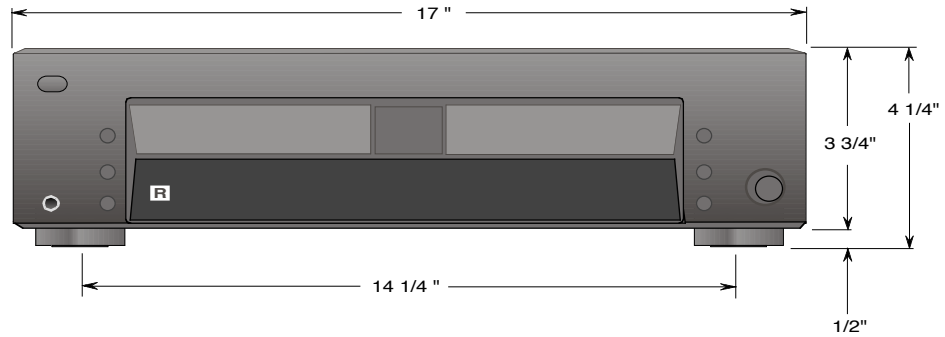
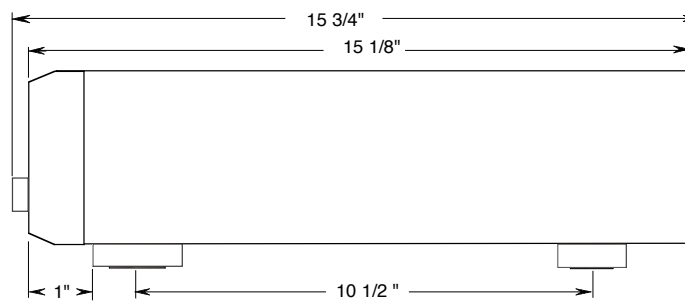
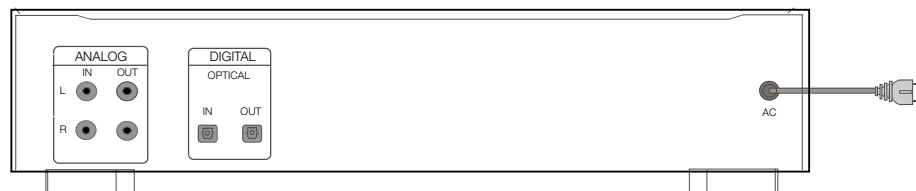


SONY**RCD-W50C**

DESCRIPTION: CD
 Recorder/Player
 DIMENSIONS
 (WHD): 17 " x 4 1/4 " x 15 3/4 "
 WEIGHT: 15 lbs 8 oz

POWER
 REQUIREMENTS: 120V AC
60Hz
 POWER
 CONSUMPTION: 25 watts
 approx

RM-R51 Remote Control**FRONT VIEW****SIDE VIEW****BACK VIEW****NOTE :**

WHERE THERE ARE CLOSE TOLERANCES INVOLVED IN CABINET BUILDING OR APPLICATIONS WHICH REQUIRE A GREAT DEGREE OF PRECISION WE RECOMMEND THAT THE PRODUCT ITSELF BE USED TO MAKE THE ACTUAL MEASUREMENTS. SONY WILL NOT BE RESPONSIBLE FOR INACCURACIES IN THE DESIGN OR MANUFACTURE OF ENCLOSURES .