

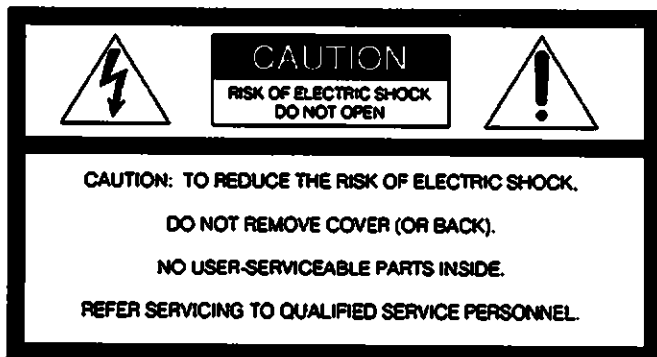
SA-W741

Active Super Woofer

Operating Instructions

Warning

To prevent fire or shock hazard, do not expose the unit to rain or moisture.



This symbol is intended to alert the user to the presence of uninsulated "dangerous voltage" within the product's enclosure that may be of sufficient magnitude to constitute a risk of electric shock to persons.



This symbol is intended to alert the user to the presence of important operating and maintenance (servicing) instructions in the literature accompanying the appliance.

* The graphical symbols are on the rear enclosure.

Owner's Record

The model and serial number is located at the rear. Record this serial number in the space provided below. Refer to these numbers whenever you call upon your Sony dealer regarding this product.

SA-W741

Serial No. _____

Precautions

On safety

- Operate the unit only on 120 V AC, 60 Hz.
- Should any solid object or liquid fall into the unit, unplug it and have it checked by qualified personnel before operating it any further.
- Unplug the unit from the wall outlet if it is not to be used for an extended period of time. To disconnect the cord, pull it out by grasping the plug. Never pull the cord itself.

On installation

- Place the unit on a level surface.
- Do not install the unit in a location near heat sources such as radiators or air ducts, or in a place subject to direct sunlight, excessive dust, mechanical vibration or shock.
- Good air circulation is essential to prevent internal heat buildup in the unit. Place the unit in a location with adequate air circulation. Do not cover the ventilation holes on the rear and side panels.

On cleaning the cabinet

Clean the cabinet, panel and controls with a soft cloth lightly moistened with mild detergent solution. Do not use any type of abrasive pad, scouring powder or solvent such as alcohol or benzene.

On repacking

Do not throw away the carton and the packing material. It makes an ideal container to transport the unit in.

If you have any question or problem concerning your unit, please consult your nearest Sony dealer.

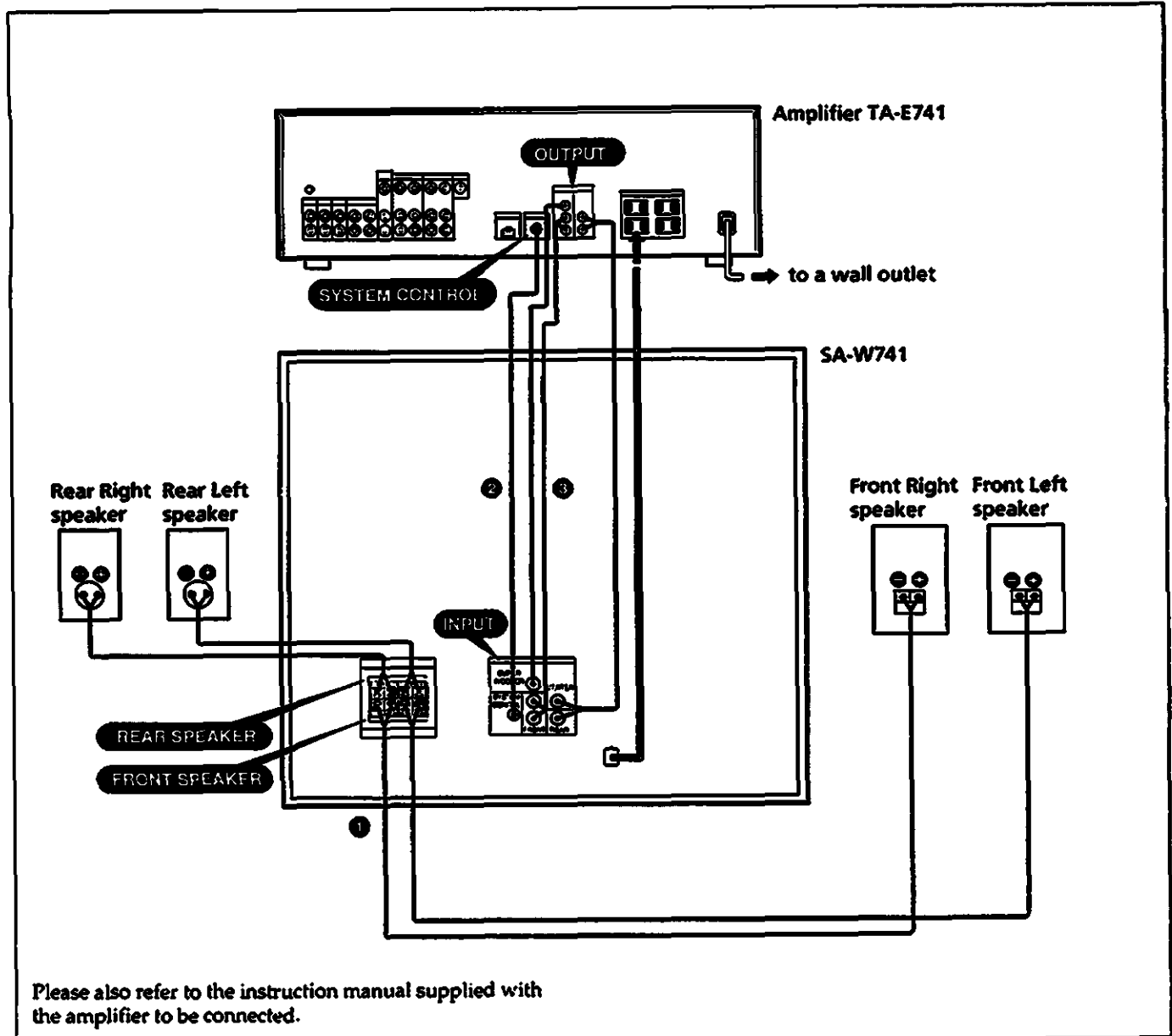
For detailed precautions, see the leaflet "IMPORTANT SAFEGUARDS".

Connection

Notes on connection

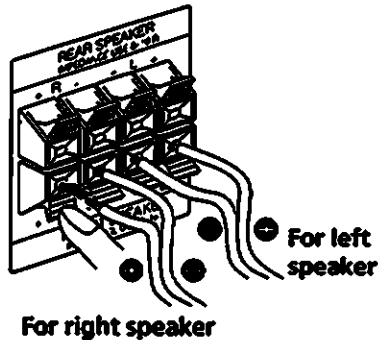
- Connect the AC power cord last. Make sure that the power of an amplifier is turned off.
- Cord plugs and jacks are color coded. Red plugs and jacks are for right channel (R) and white ones for the left channel (L). And also, red plugs and jacks are for REAR terminal and white ones for CENTER terminal. Black plugs and jacks are for SUPER WOOFER terminal.
- The cable connectors should be fully inserted into the jacks. A loose connection may cause hum and noise.
- Keep speaker cords, connecting cords and power cords away from the AM loop antenna and the tuner's antenna lead-in to avoid possible noise pickup.
- The + and - speaker cords should be correctly connected to the + and - terminals of the super woofer respectively to avoid damaging to each unit.

Connecting the Amplifier Having a Super Woofer Output Terminal with the Audio Cord

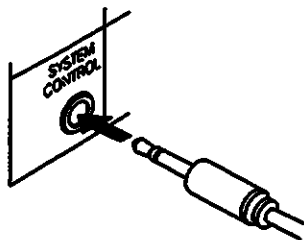


Location and Function of Controls

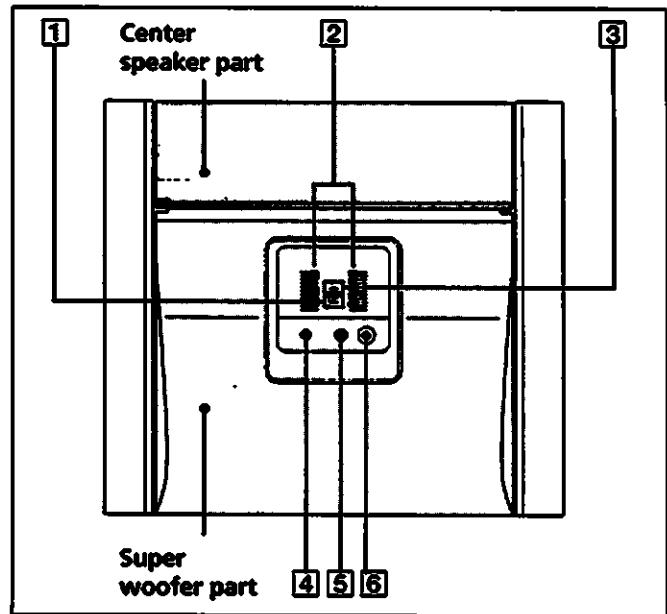
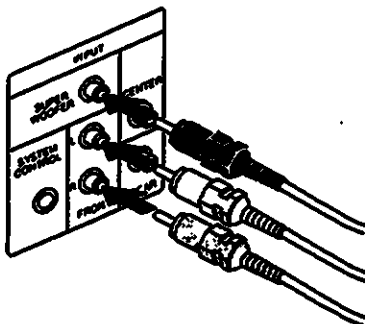
1 Speaker cords



2 System control cord (Supplied with the amplifier)



3 Audio connecting cord



1 POWER indicator

Lights up when SYSTEM POWER of an amplifier connected to this unit with SYSTEM CONTROL cord is connected.

2 Power level meters

The level meters show the power output level of the left channel and right channel independently. You can turn off and on the level meters by pressing the LEVEL METER button.

3 PHASE indicator

The phase polarity is normal when the PHASE indicator is not lit. However, depending on the speakers combined with this unit and its installation position, the reverse setting may sometimes provide a better bass reproduction. Please select the setting which provides the bass reproduction that suits your preference by pressing PHASE on the remote commander (supplied with the amplifier) while listening to the sound in your listening position.

4 HEADPHONES

For personal listening, connect headphone to the HEADPHONES jack. No sound is heard from the speakers.

5 LEVEL METER button

6 CUT OFF FREQ (high-frequency cut-off) control
This control adjusts the frequency range of high-frequency cut-off function. This control allows to cut higher frequencies than the cut-off frequency which can be set from 50 Hz to 150 Hz. Adjust the control to your preference.

Notes

- The super woofer is automatically turned off when an amplifier connected to this unit is in the PHONO mode and it can not be controlled.
- Place the super woofer directly on the floor. If your floor is made of wood, to obtain high-quality bass sound, we recommend that you attach the supplied feet to the bottom corners of the super woofer for greater stability.

Specifications

AUDIO POWER SPECIFICATIONS

POWER OUTPUT AND TOTAL HARMONIC DISTORTION:

With 6-ohm loads, both channels driven, from 20 - 20,000 Hz; rated 120 watts per channel minimum RMS power, with less than 0.9% total harmonic distortion from 250 milliwatts to rated output.

Amplifier section

Overall output

- 140 W + 140 W (front, at center/rear/woofer off at 1 kHz, 6 ohms)
- 25 W + 25 W (rear, at front/center/woofer off at 1 kHz, 8 ohms)
- 50 W (center, at front/rear/woofer off at 1 kHz, 4 ohms)
- 90 W (woofer, at front/center/rear off at 40 Hz, 8 ohms)

Harmonic distortion

Less than 0.9 % (at 1 kHz, 6 ohms loads, front: 140 W + 140 W, at center/rear/woofer off)

Output

FRONT SPEAKERS:

Accept speakers of 6 - 16 ohms

REAR SPEAKERS:

Accept speakers of 8 - 16 ohms

HEADPHONES:

Accepts low and high impedance Headphones

Speaker section

- | | |
|------------------------------|--|
| Type | Active super woofer (magnetically shielded design)
Center speaker (magnetically shielded design) |
| Speaker unit | Woofer: 20 cm (8 inches) cone type
Center: 12 cm (4 ³ / ₄ inches) cone type |
| Reproduction frequency range | Woofer: 25 Hz to 150 Hz
Center: full range |

General

- | | |
|----------------------|--|
| Power requirements | 120 V AC, 60 Hz |
| Power consumption | 330 W |
| Dimensions | Approx. 500 x 475 x 545 mm (w/h/d)
(19 ³ / ₄ x 18 ³ / ₄ x 21 ¹ / ₂ inches)
(including projecting parts and controls) |
| Mass | Approx. 34.2 kg (75 lb 7 oz) |
| Accessories supplied | Feet (4) |

Troubleshooting

Vibration sounds from furniture, walls or glasses in the room are heard.

- These vibration sounds are produced when the super woofer transmits the vibration to the objects. → Reduce the volume level or place the vibrating objects away from the super woofer.

The super woofer can not be turned ON.

- The super woofer automatically turned OFF when the function is set to PHONO. → Select the function other than PHONO and turn on the super woofer.