

SONY

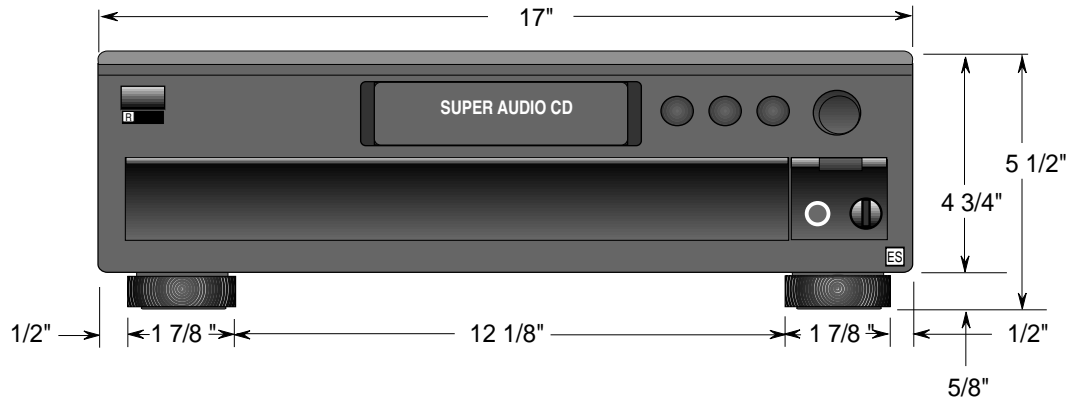
SCD-C222ES

DESCRIPTION: SACD-CD
 Changer
 DIMENSIONS (WHD): 17" x 5 1/2" x 16 1/8"
 WEIGHT: 16 lbs 9 oz

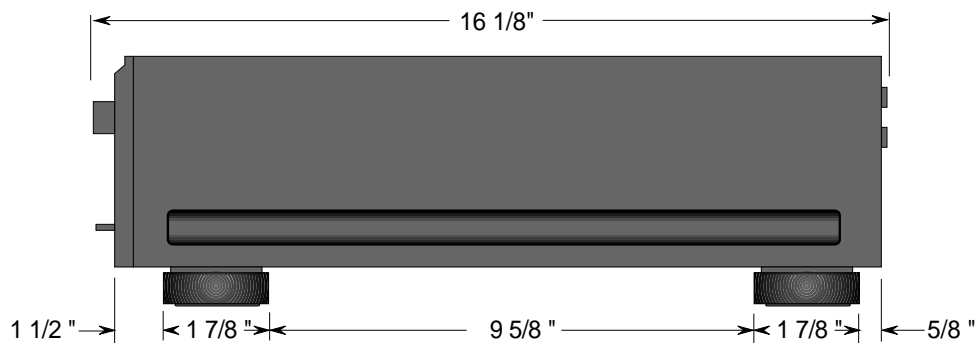
POWER REQUIREMENTS: 120V
 60Hz
 POWER CONSUMPTION: 26
 Watt

RM-SC500 REMOTE CONTROL

FRONT VIEW



SIDE VIEW



BACK VIEW



NOTE :
 WHERE THERE ARE CLOSE TOLERANCES INVOLVED IN CABINET BUILDING OR APPLICATIONS WHICH REQUIRE A GREAT DEGREE OF PRECISION WE RECOMMEND THAT THE PRODUCT ITSELF BE USED TO MAKE THE ACTUAL MEASUREMENTS. SONY WILL NOT BE RESPONSIBLE FOR INACCURACIES IN THE DESIGN OR MANUFACTURE OF ENCLOSURES .