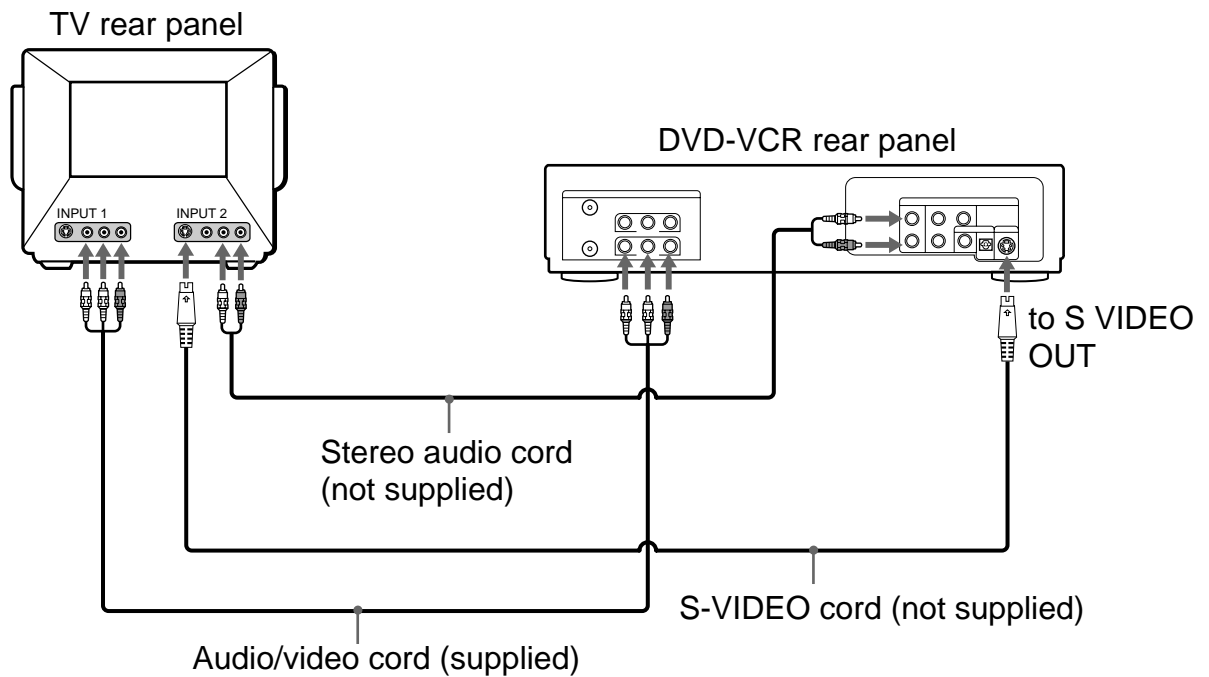


Note on making connections

Do not connect both the DVD&VCR outputs (LINE OUT VIDEO/AUDIO L/R) and S video output (S VIDEO OUT) to the same TV input.

You can enjoy higher quality DVD images by connecting the S video output (S VIDEO OUT) and the audio output for DVDs (LINE OUT AUDIO L/R) to a different set of TV inputs such as LINE 2 on your TV.

CORRECT



INCORRECT

