

**SONY**

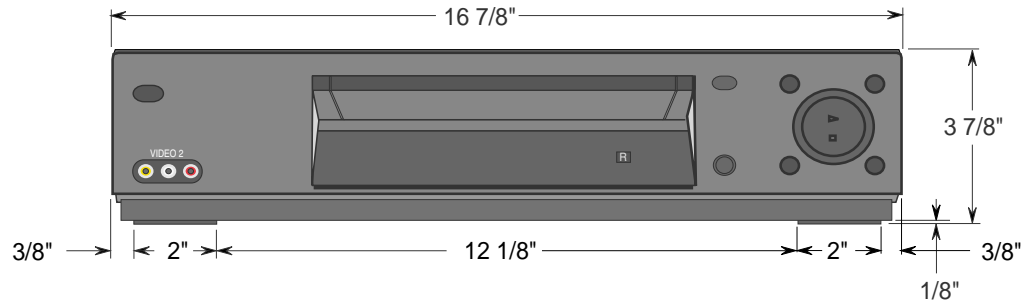
**SLV-N99**

DESCRIPTION: Hi-Fi Stereo  
DIMENSIONS VCR  
(WHD): 16 7/8" x 3 7/8" x 11 1/2"  
WEIGHT: 9 lbs

POWER REQUIREMENTS: 120V AC  
60Hz  
POWER CONSUMPTION: 25 watts  
approx

**RMT-V307 REMOTE COMMANDER**

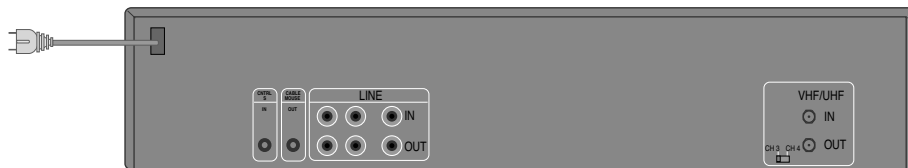
**FRONT VIEW**



**SIDE VIEW**



**BACK VIEW**



**NOTE :**

WHERE THERE ARE CLOSE TOLERANCES INVOLVED IN CABINET BUILDING OR APPLICATIONS WHICH REQUIRE A GREAT DEGREE OF PRECISION WE RECOMMEND THAT THE PRODUCT ITSELF BE USED TO MAKE THE ACTUAL MEASUREMENTS. SONY WILL NOT BE RESPONSIBLE FOR INACCURACIES IN THE DESIGN OR MANUFACTURE OF ENCLOSURES .