

Sports Pack Caisson Sport

Operating Instructions
Mode d'emploi
Manual de instrucciones

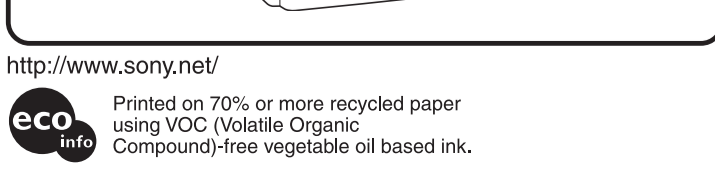
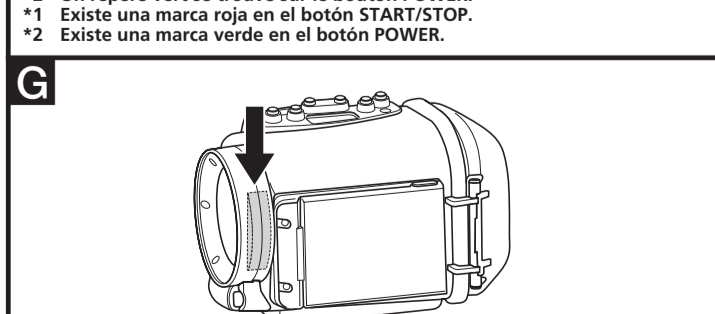
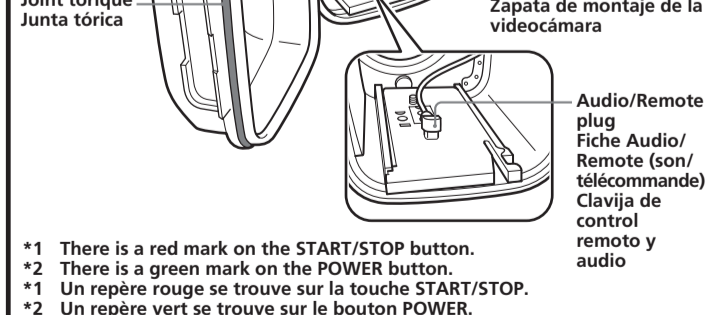
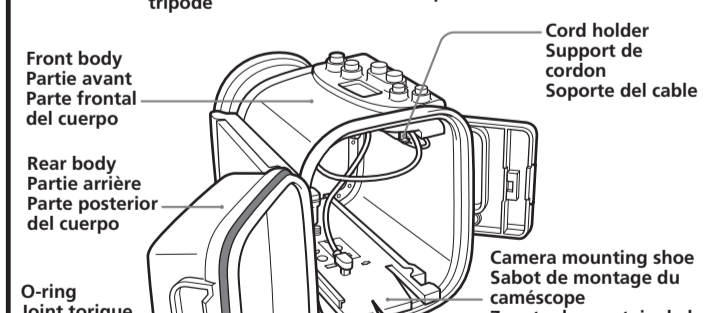
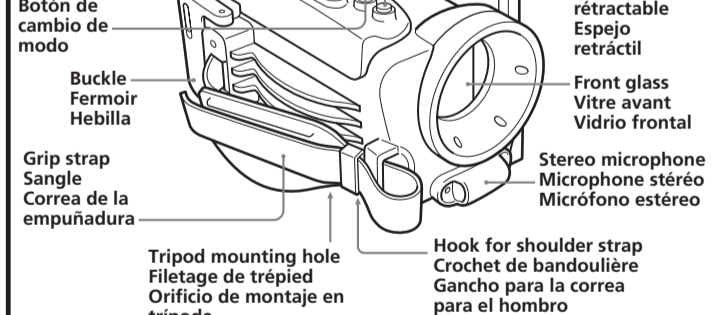
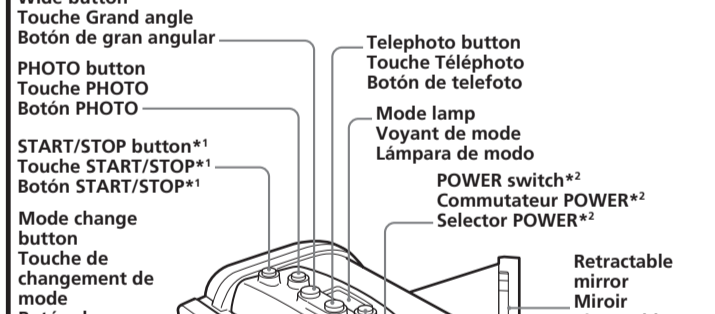
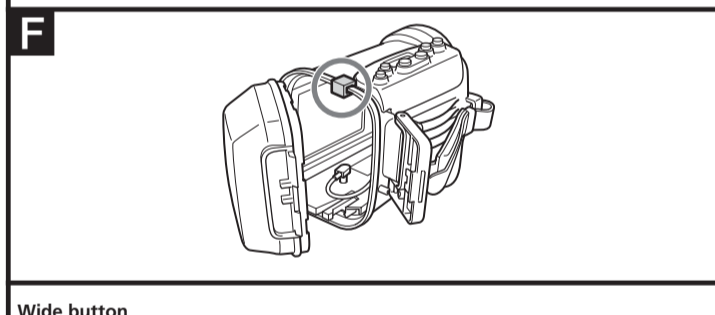
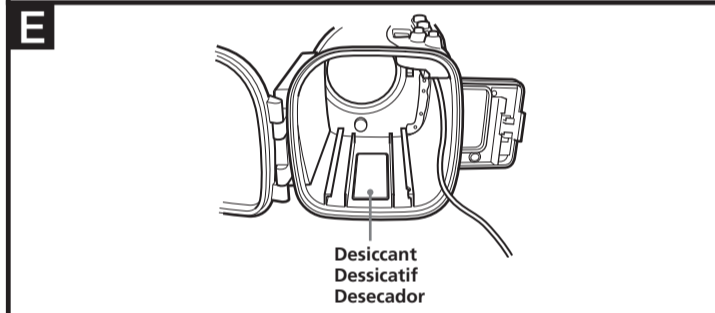
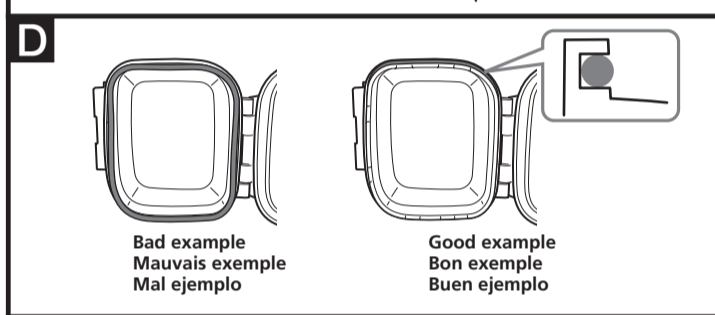
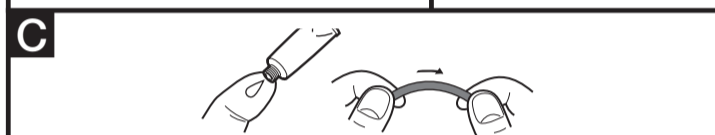
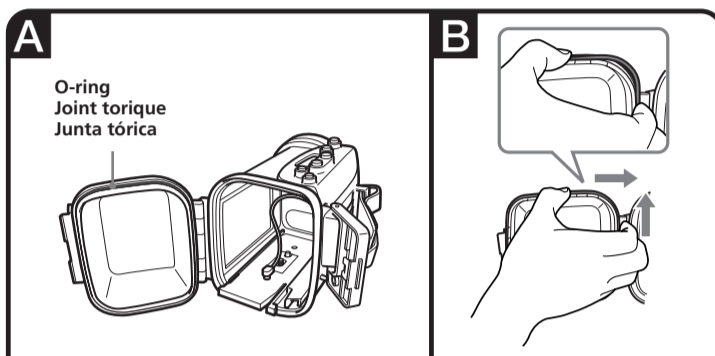
SPK-HCC

© 2007 Sony Corporation Printed in Japan

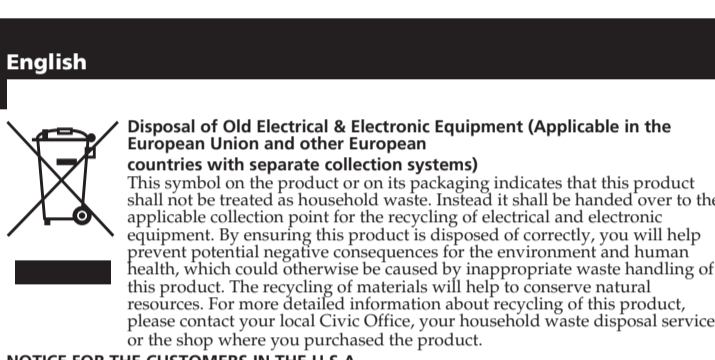
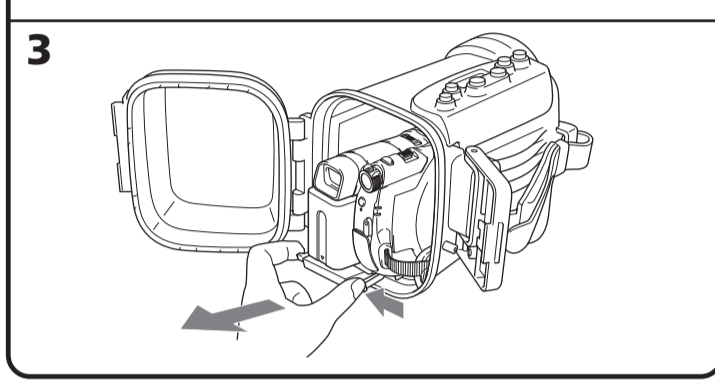
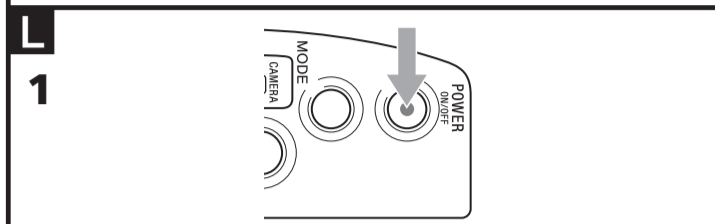
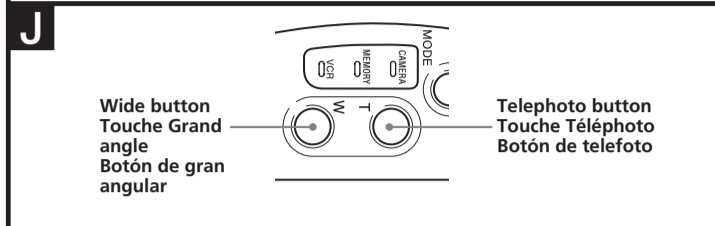
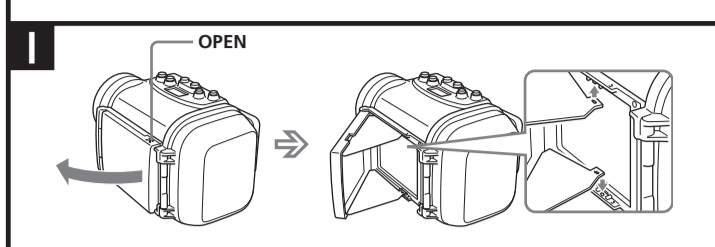
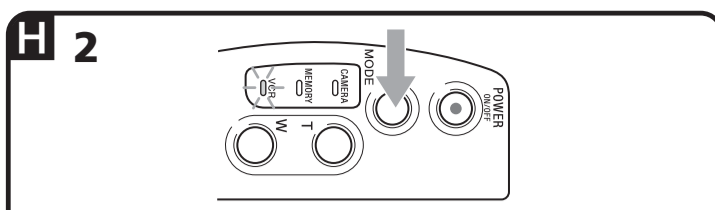
Owner's Record

The model and serial numbers are located inside of the unit. Record the serial number in the space provided below. Refer to them whenever you call upon your Sony dealer regarding this product.

Model No. **SPK-HCC** Serial No. _____



*1 There is a red mark on the START/STOP button.
*2 There is a green mark on the POWER button.
*1 Un repère rouge se trouve sur la touche START/STOP.
*2 Un repère vert se trouve sur le bouton POWER.
*1 Existe una marca roja en el botón START/STOP.
*2 Existe una marca verde en el botón POWER.



NOTICE FOR THE CUSTOMERS IN THE U.S.A. CAUTION
You are cautioned that any changes or modifications not expressly approved in this manual could void your authority to operate this equipment.
NOTE:
This equipment has been tested and found to comply with the limits for a Class B digital device, pursuant to Part 15 of the FCC Rules. These limits are designed to provide reasonable protection against harmful interference in a residential installation. This equipment generates, uses, and can radiate radio frequency energy and, if not installed and used in accordance with the instructions, may cause harmful interference to radio communications. However, there is no guarantee that interference will not occur in a particular installation. If this equipment does cause harmful interference to radio or television reception, which can be determined by turning the equipment off and on, the user is encouraged to try to correct the interference by one or more of the following measures:
- Reorient or relocate the receiving antenna.
- Increase the separation between the equipment and receiver.
- Connect the equipment into an outlet on a circuit different from that to which the receiver is connected.
- Consult the dealer or an experienced radio/TV technician for help.
* This Sports Pack SPK-HCC is exclusively for use with the Sony digital video camera recorder HDR-UX7/UX5/UX3, HDR-HC7/HC5/HC3, DCR-SR300/SR290/SR200/SR190/SR100/SR90/SR82/SR72/SR62/SR52/SR42/SR32, DCR-DVD908/DVD905/DVD808/DVD805/DVD803/DVD708/DVD705/DVD653/DVD650/DVD605/DVD602/DVD508/DVD505/DVD408/DVD406/DVD405/DVD404/DVD403/DVD308/DVD306/DVD205/DVD203/DVD202/DVD109/DVD108/DVD106/DVD105/DVD103/DVD92, DCR-HC96/HC94/HC90/HC48/HC47/HC46/HC45/HC44/HC43/HC42/HC41/HC39/HC38/HC37/HC36/HC35/HC33/HC32/HC28/HC27/HC26/HC24/HC23/HC22/HC21/HC19/HC17.
* The above video camera models may not be available in all countries.
* The sports pack SPK-HCC is water- and moisture-resistant, making it possible to use the Sony digital video camera recorder (referred to below as "video camera").

• Usable at the depth as low as 5 meters (17 feet) under water.
• For using your video camera with this pack, refer to the operating instructions of the video camera.
• Before you start recording, make sure that the video camera is working correctly and there is no water leakage.
• Sony does not accept liability for damage to the video camera, battery, etc., when using the sports pack or for the cost of recording if water leakage occurs as a result of incorrect use.

Precautions on Use

- Do not subject the front glass to strong shock, as it may crack.
- Avoid opening the sports pack in the sea or at the beach. Preparation such as installing and changing the cassette tape, "Memory Stick Duo" and disc should be done in a place with low humidity and no salty air.
- Do not throw the sports pack into the water.
- Avoid using the sports pack in places with strong waves.
- Avoid using the sports pack under the following situations:
 - in a very hot or humid place.
 - in water hotter than 40 °C (104 °F).
 - at temperatures lower than 0 °C (32 °F).
- In these situations moisture condensation or water leakage may occur and damage the equipment.
- Avoid installing the video camera in a humid place. Installing in a humid place will lead to condensation.
- Use the sports pack for no longer than one hour at a time in temperatures above 35 °C (95 °F).
- Do not leave the sports pack under direct sunlight for a long period of time. If you cannot avoid leaving the sports pack under direct sunlight, be sure to cover the pack with a towel or other protection.

If sun oil is on the sports pack, be sure to wash it off thoroughly using lukewarm water. If the sports pack is left with sun oil on its body, the surface of the sports pack may become discolored or damaged, (such as cracks on the surface).

Water Leakage

If water happens to leak in, stop exposing the sports pack to water immediately. If the video camera gets wet, take it to the nearest Sony service facility immediately. Repair costs must be borne by the customer.

Handling the O-ring

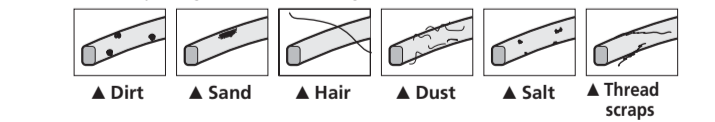
What is the O-ring?
The O-ring ensures the waterproof qualities of the sports pack or other equipment. (See illustration A)

O-ring maintenance is very important. Failure to carry out O-ring maintenance according to the instructions may lead to water leakage and cause the sports pack to sink.

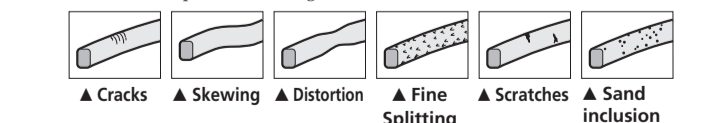
Handling the O-ring

Fit the O-ring
Avoid fitting the O-ring in dusty or sandy locations.

- Remove the O-ring. (See illustration B)**
 - To remove the O-ring, press it and slide it in the direction of the arrow as illustrated. The O-ring has enough slack to be able to be removed easily. Be careful not to scratch the O-ring with your fingernail.
 - Do not use a pointed or metal object to remove the O-ring. This kind of object may scratch or damage the sports pack groove or O-ring.
- Inspect the O-ring.**
 - Check carefully for the following. If found, wipe off them with a soft cloth or tissue paper.
 - Is there any dirt, sand, hair, dust, salt, thread scraps, etc. on the O-ring?
 - Is there any old grease on the O-ring?



- Lightly run your fingertip around the O-ring to check for any invisible dirt.
- Be careful not to leave any cloth or tissue paper fibers on the O-ring after wiping it.
- Check the O-ring for cracks, skewing, distortion, fine splitting, scratches, sand inclusion, etc. Replace the O-ring if it is cracked or scratched.



- Inspect the O-ring groove.**
Grains of sand or hardened salt sometimes get into the groove. Carefully remove them by blowing with an air spray or by wiping them with a cotton wool bud. Be careful not to leave any fibers from the cotton wool bud inside.
- Inspect the contact surface on the other side of the O-ring in the same way.**
- Apply a coating of grease to the O-ring.**
Use your fingertips to thinly coat the entire surface of the O-ring with a small drop of grease. (See illustration G)

- Do not use paper or cloth as fibers may stick to the O-ring.
- Make sure there is always a thin coating of grease on the surface of the O-ring. Grease protects the O-ring and prevents wear.
- Fit the O-ring immediately after coating it with grease. Do not leave the greased O-ring on a table or other surface.

- Fit the O-ring into the groove of the sports pack.**
Fit the O-ring evenly into the groove paying attention to the following points:
 - Check for dirt on the O-ring.
 - Check the O-ring is not twisted. (See illustration D)

How to check for water leakage

After replacing the O-ring, close the sports pack without inserting the equipment you are going to use. Immerse the sports pack in water to a depth of about 15 cm for about three minutes and check that no water leaks in.

Maintenance

The sports pack is allowed to dry with sea water still in the O-ring groove, salt crystals form which may impair the O-ring's functions.

O-ring serviceable life

The serviceable life of the O-ring varies with frequency of use of the sports pack and conditions. Generally, it is about one year. Even if the O-ring is not cracked or scratched, deformation or wear reduces its waterproof qualities. Replace the O-ring with a new one if you find cracks, skewing, distortion, fine splitting, scratches, sand inclusion, etc. After replacing, check that no water leaks in.

Grease

Use the grease supplied. Using other manufacturer's grease will damage the O-ring, and cause water leaks.

Anti-fogging lens solution

Coat the surface of the front glass with the supplied anti-fogging lens solution. This is effective in anti-fogging.

How to use the anti-fogging lens solution

Apply 2 or 3 drops of the liquid to the front glass and wipe evenly to spread the liquid out by using the swabs, a soft cloth or tissue paper.

Desiccant

To increase the anti-fogging effect in addition to using the anti-fogging lens solution, use the desiccant supplied. Insert new one desiccant into the sports pack 1 to 2 hours before recording. Put the desiccant in the camera mounting shoe rail space inside the front body. (See illustration B) Be careful not to catch the desiccant with the camera mounting shoe. Keep the remaining desiccant in its original bag, and keep the bag firmly closed. Do not return the desiccant to the bag after use, or you will reduce the effect of the unused desiccant. Use a new desiccant to increase the anti-fogging effect. Do not leave the desiccant in the sports pack.

O-ring, grease and anti-fogging lens solution

You can obtain the O-ring, grease and anti-fogging lens solution at the nearest Sony dealer.
O-ring (model No. 3-098-143-01)
Grease (model No. 2-582-620-01)
Anti-fogging lens solution (model No. 3-072-039-01)

Maintenance

- After recording in a location with a sea breeze, wash the sports pack thoroughly in fresh water with the buckles fastened to remove salt and sand, then wipe with a soft dry cloth. It is recommended that you submerge the sports pack in fresh water for about 30 minutes. If it is left with salt on it, metal portions may be damaged or rust may form and cause water leakage. Be careful not to hit the sports pack with other equipment when submerging the sports pack in fresh water. When the water pressure is low and the bend of the O-ring is small, an excessive impact may cause water leakage.
- If sun oil is on the sports pack, be sure to wash it off thoroughly using lukewarm water.
- Clean the inside of the sports pack with a soft dry cloth. Do not wash the inside of the sports pack.

Be sure to perform the above maintenance each time you use the sports pack. Do not use any type of solvent such as alcohol, benzine or thinner for cleaning, as this might damage the surface finish of the sports pack.

When storing the sports pack

- Attach the spacer supplied with your sports pack to prevent wear of the O-ring. (See illustration H)
- Close the pack without fastening the buckles to prevent wear of the O-ring.
- Prevent dust from collecting on the O-ring.
- Avoid storing the sports pack in a cold, very hot or humid place, or together with naphthalene or camphor, as these conditions might damage the unit.

Troubleshooting

Symptom	Cause	Corrective Actions
The sound is not recorded.	The Audio/Remote plug is not connected.	Connect the Audio/Remote plug to the A/V jack or A/V OUT jack on the video camera.
Water leaks into the sports pack.	• The buckles are not fastened. • The O-ring is not set correctly. • There are scratches or cracks on the O-ring.	• Fasten the buckles until they click. • Put the O-ring in the groove evenly. • Replace the O-ring with a new one.

The recording and playing back function does not work.	• The battery pack is run out. • The remote plug is not connected. • The tape has run out. • The "Memory Stick Duo" is full.	• Charge the battery pack fully. • Connect the Audio/Remote plug to the A/V jack or A/V OUT jack on the video camera. • Rewind the tape or use a new one. • Insert another "Memory Stick Duo" or erase unneeded data from the "Memory Stick Duo."
The safety tab on the cassette and the "Memory Stick Duo" is set to unrecordable position (when your media has the safety button).	• The disc has run out of space. • The disc has been finalized.	• Slide the safety tab or install a new cassette tape and a new "Memory Stick Duo."
The hard disk is full.	• Use a new disc or format the disc (except DVD-R, DVD+R DL). • Erase unneeded data from the hard disk drive.	

The power does not turn on.	• Soon after being turned off, the power does not turn on.	• Leave the sports pack for 1 second or more after the mode lamp on the sports pack goes out and turn the sports pack on again.
There seems to be water in the sports pack.	• The sports pack is designed so that water can flow into and out of the space illustrated. (See illustration I)	• This space is sealed from the inside. Drops of water in this space do not indicate a malfunction.

Specifications

Material
Plastic (PC, ABS), glass

Waterproof
O-ring, buckles

Built-in microphone
Stereo

Dimension
Approx. 159 x 148 x 220 mm (w / h / d) (6 3/8 x 5 7/8 x 8 3/4 inches)

Mass
Approx. 960 g (2 lb 2 oz) (only sports pack)

Included items
Sports pack (1)
Shoulder strap (1)
Camera mounting shoe (A (1)/B (1)/C (1)/D (1)/E (1))
Tripod screw plate (1)
Reflex prevention ring (Ø 25 (1)/M30 x Ø 62 (1)/M30 x Ø 43 (1)/M37 x Ø 55 (1))
Grease (1)
Spacer (1)
Anti-fogging lens solution (1)
Desiccant (1)
Set of printed documentation

Design and specifications are subject to change without notice.

Using the Sports Pack

The video camera can be operated with the buttons of the sports pack.

Selecting the mode

- Turn on the sports pack.**
Press the POWER button to turn on the mode lamp and the power of the sports pack and video camera. The mode is set to CAMERA mode.

Note
If the video camera is left in Standby mode for five minutes or more, it switches off automatically. This is to preserve the battery.
You can change the "A.SHUT OFF" setting of this function to [Never] using the video camera. For details, refer to the operating instructions of your video camera. To return to Standby mode, turn the POWER button to "ON" again.

- Select the desired mode.**
Press the mode change button to switch between modes in the following sequence.



Check the selected mode with the mode lamp on the sports pack.

To shoot moving pictures

Select CAMERA mode.
To record still pictures
Select MEMORY mode.

To play back recorded pictures
Select VCR mode.

Some models enable you to shoot moving pictures in MEMORY mode or record still pictures in CAMERA mode. For details, refer to the operating instructions supplied with your video camera.

Note
The POWER button of the sports pack has priority over the POWER switch of the video camera.

Open the retractable mirror

- Open the retractable mirror by holding the "OPEN" part.**
- Open the wings and insert the projections into their holes.**

To close the retractable mirror
Release the projections on both wings, and close the lower wing first.

Recording

Recording moving pictures

CAMERA mode
Moving pictures are recorded onto a tape, disc or hard disk.
Press the START/STOP button.
Recording starts.

To stop recording
Press the START/STOP button.
If you press the START/STOP button once more, recording will start again.

To turn off the power
Stop recording before turning the POWER button to "OFF."

Zooming (See illustration J)

- Press the wide button to zoom out.
- Press the telephoto button to zoom in.
- Press gently to zoom more slowly.

Recording still pictures

MEMORY mode
Still pictures are recorded onto a "Memory Stick Duo," disc or hard disk.

- Lightly press the PHOTO button.**
The green mark at the top of the LCD screen stops flashing and remains on. You can now record a still picture.
* No image is recorded yet.

- Press the PHOTO button.**
The image shown on the screen is recorded.

Some models have a Dual Rec function. For details, refer to the operating instructions of the video camera.

- Note**
1 You cannot use Nightshot or other function for shooting in the dark with the sports pack.
2 You cannot use a video camera's flash or tele-macro functions with the sports pack.
3 Some models let you select the recording media ("Memory Stick Duo," disc or hard disk). For details, refer to the operating instructions of the video camera.

Playing back

You can play back the image by pointing the remote commander toward the remote sensor (located on the front center of the sports pack). You cannot hear sound. Use the remote commander for all other functions. For details, refer to the operating instructions supplied with your video camera.

Note
If "Remote Commander" in the menu of your video camera is set to "OFF," change it to "ON."
You cannot use this function with a video camera that does not have a remote commander supplied.

Removing the Video Camera

- Press the POWER button to turn off the video camera. (See illustration L-1)**
- Release the buckles, and open the rear body.**

For details, refer to step 1 of "Installing the Video Camera" in the Sports Pack Preparation Guide.

Note
Before opening the sports pack, wipe moisture off the sports pack and yourself. Do not allow water on the video camera.

- Pull out the camera mounting shoe. (See illustration L-3)**
Holding the camera mounting shoe by the knobs on one side of it, press the knobs and extract the video camera slowly.

- Remove the video camera until the plugs connected to it are just out of the sports pack, and then disconnect the plugs from the video camera.**

Note
Make sure you disconnect the Audio/Remote plug properly by holding the plug part. Do not disconnect the plug by holding the cord part, or pull the camera mounting shoe out while the plug is connected. Doing so may damage the plug or video camera's jack.

- Detach the camera mounting shoe.**

Français

Traitement des appareils électriques et électroniques en fin de vie (Applicable dans les pays de l'Union Européenne et aux autres pays européens disposant de systèmes de collecte sélective)
Ce symbole, apposé sur le produit ou sur son emballage, indique que ce produit ne doit pas être traité avec les déchets ménagers. Il doit être remis à un point de collecte approprié pour le recyclage des équipements électriques et électroniques. En s'assurant que ce produit est bien mis au rebut de manière appropriée, vous aidez à prévenir les conséquences négatives potentielles pour l'environnement et la santé humaine. Le recyclage des matériaux aidera à préserver les ressources naturelles. Pour toute information supplémentaire au sujet du recyclage de ce produit, vous pouvez contacter votre municipalité, votre déchetterie ou le magasin où vous avez acheté le produit.

- Le caisson SPK-HCC est exclusivement destiné aux modèles de caméscope numérique de Sony suivants : HDR-UX7/UX5/UX3, HDR-HC7/HC5/HC3, DCR-SR300/SR290/SR200/SR190/SR100/SR90/SR82/SR72/SR62/SR52/SR42/SR32, DCR-DVD908/DVD905/DVD808/DVD805/DVD803/DVD708/DVD705/DVD703/DVD653/DVD650/DVD605/DVD602/DVD508/DVD506/DVD505/DVD408/DVD406/DVD405/DVD404/DVD403/DVD308/DVD306/DVD305/DVD304/DVD205/DVD203/DVD202/DVD109/DVD108/DVD106/DVD105/DVD103/DVD92, DCR-HC96/HC94/HC90/HC48/HC47/HC46/HC45/HC44/HC43/HC42/HC41/HC39/HC38/HC37/HC36/HC35/HC33/HC32/HC28/HC27/HC26/HC24/HC23/HC22/HC21/HC19/HC17.
- Il est possible que tous les modèles de caméscopes ci-dessus ne soient pas disponibles dans tous les pays ou régions.
- Le caisson SPK-HCC est résistant à l'eau et à l'humidité, ce qui permet d'utiliser le caméscope numérique Sony dans ce type d'environnement (désigné par « caméscope » dans la suite du document).

- Vous pouvez l'utiliser sous l'eau jusqu'à 5 mètres (17 pieds) de profondeur.
- Pour utiliser votre caméscope avec ce caisson, reportez-vous au mode d'emploi du caméscope.
- Avant de commencer un enregistrement, assurez-vous que le caméscope fonctionne correctement et qu'il n'y a pas d'infiltration d'eau.
- Sony décline toute responsabilité pour tout dommage provoqué au caméscope, à la batterie, etc. lors de l'utilisation du caisson ou pour la perte d'un enregistrement en cas d'infiltration d'eau du fait d'une utilisation incorrecte du produit.

Précautions d'emploi

- Ne soumettez pas la vitre avant à des chocs importants, car elle pourrait se fissurer.
- Évitez d'ouvrir le caisson dans la mer ou sur la plage. Les opérations préparatoires, telles que la mise en place et le remplacement d'une cassette, du « Memory Stick Duo » et du disque, doivent être effectuées à l'abri de l'humidité et de l'air salin.
- Ne jetez pas le caisson dans l'eau.
- N'utilisez pas le caisson en cas de fortes vagues.
- N'utilisez pas le caisson dans les conditions suivantes :
 - dans un endroit très chaud ou humide ;
 - dans une eau à plus de 40 °C (104 °F) ;
 - dans des températures inférieures à 0 °C (32 °F).
- Dans de telles conditions, le matériel pourrait être endommagé par une condensation ou une infiltration d'eau.
- Évitez d'installer le caméscope dans un endroit humide. De la condensation risquerait de se former à l'intérieur.
- N'utilisez pas le caisson plus d'une heure lorsque la température est supérieure à 35 °C (95 °F).
- Évitez d'exposer le caisson à la lumière directe du soleil pendant une période prolongée. Si ce n'est pas possible, veillez à le couvrir d'une serviette ou d'une autre protection.

Si de la crème solaire est tombée sur le caisson, prenez soin de l'éliminer convenablement avec de l'eau tiède. À défaut, la surface du caisson risque d'être décolorée ou endommagée (craquelures).

Infiltration d'eau

Si de l'eau s'infiltré dans le caisson, arrêtez immédiatement de l'exposer à l'eau. Si le caméscope est mouillé, portez-le immédiatement chez le revendeur Sony le plus proche. Les frais de réparation seront à la charge de l'utilisateur.

Entretien du joint torique

Qu'est-ce que le joint torique ?
Le joint torique garantit l'étanchéité du caisson ou de tout autre équipement. (Voir illustration A)

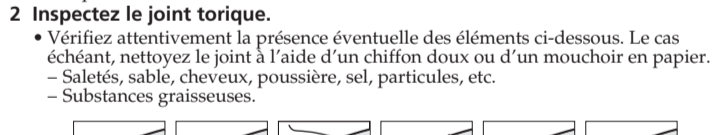
L'entretien du joint torique est très important. Le non-respect des instructions d'entretien du joint torique peut provoquer des infiltrations d'eau et faire couler le caisson.

Entretien du joint torique

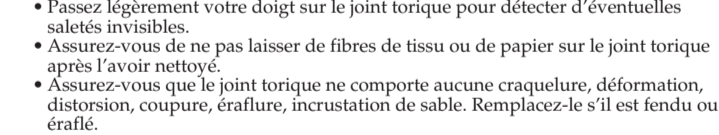
Fit the O-ring
Évitez de fixer le joint torique si vous vous trouvez dans un lieu sablonneux ou poussiéreux.

- Retirez le joint torique. (Voir illustration B)**
 - Pour retirer le joint torique, appuyez légèrement dessus, puis faites-le glisser dans le sens de la flèche, comme indiqué sur l'illustration. Le joint torique est suffisamment lâche pour permettre un retrait aisé.
 - Prenez garde à ne pas érafler le joint torique avec vos ongles.
 - N'utilisez pas d'objet pointu ou métallique pour retirer le joint. Ce type d'objet risque, en effet, d'érafler ou d'endommager la rainure du caisson ou le joint torique.

- Inspectez le joint torique.**
 - Vérifiez attentivement la présence éventuelle des éléments ci-dessous. Le cas échéant, nettoyez le joint à l'aide d'un chiffon doux ou d'un mouchoir en papier.
 - Salésés, sable, cheveux, poussière, sel, particules, etc.
 - Substances grasses.



- Passer légèrement votre doigt sur le joint torique pour détecter d'éventuelles salésés invisibles.
- Assurez-vous de ne pas laisser de fibres de tissu ou de papier sur le joint torique après l'avoir nettoyé.
- Assurez-vous que le joint torique ne comporte aucune craquelure, déformation, distorsion, coupure, éraflure, incrustation de sable. Remplacez-le s'il est fendu ou éraflé.



- Inspectez la rainure du joint torique.**
Des grains de sable ou de sel s'incruster parfois dans la rainure. Retirez-les soigneusement à l'aide d'un pulvérisateur à air ou

