

FM Stereo/AM Radio

Operating Instructions

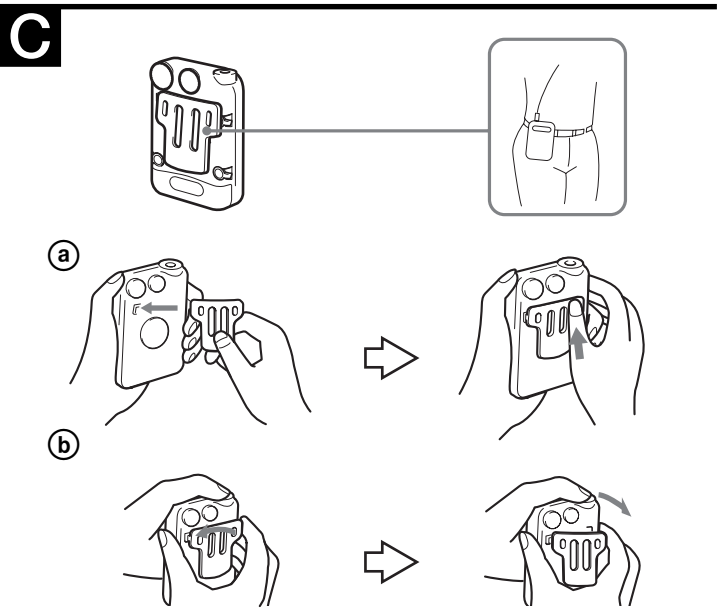
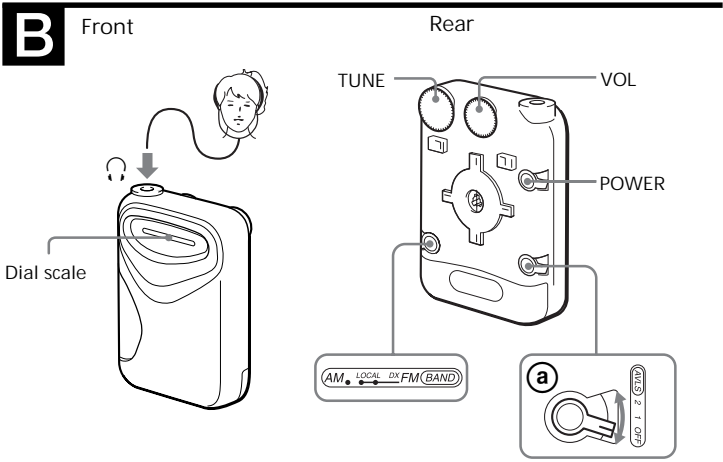
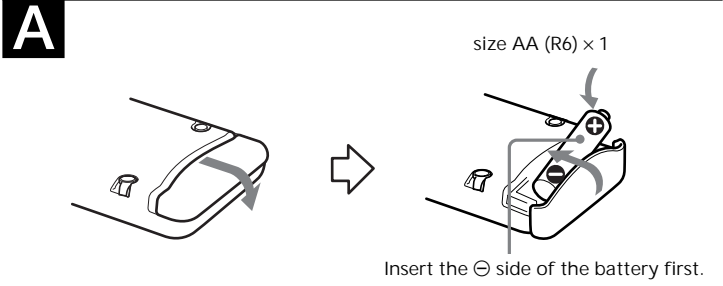


FM/AM WALKMAN

SRF-86

Sony Corporation © 2001 Printed in China

<http://www.world.sony.com/>



WARNING

You are cautioned that any changes or modifications not expressly approved in this manual could void your authority to operate this equipment.

Before You Begin

Thank you for choosing the Sony Radio! It will give you many hours of reliable service and listening pleasure. Before operating the unit, please read these instructions thoroughly and retain them for future reference.

Features

- Water-resistant for all-weather
- Can be attached to your hand, arm, or your waist
- Requires only 1.5 V DC from one size AA (R6) battery
- The AVLS (Automatic Volume Limiter System) selector to allow you to limit the maximum volume without degrading the sound quality

Precautions

- Operate the unit only on 1.5 V DC with one size AA (R6) battery.
- Avoid exposure to temperature extremes, direct sunlight, moisture, sand, dust or mechanical shock. Never leave in a car parked in the sun.
- Should any solid object or liquid fall into the unit, remove the battery and have the unit checked by a qualified personnel before operating it any further.
- In vehicles or buildings, radio reception may be difficult or noisy. Try listening near a window.
- To clean the casing, use a soft cloth dampened with a mild detergent solution.

Notes on Headphones

Road safety
Do not use headphones while driving, cycling, or operating any motorized vehicle. It may create a traffic hazard and is illegal in many areas. It can also be potentially dangerous to play your headphones at high volume while walking, especially at pedestrian crossings. You should exercise extreme caution or discontinue use in potentially hazardous situations.

Preventing hearing damage
Avoid using headphones at high volume.

Hearing experts advise against continuous, loud and extended play. If you experience a ringing in your ears, reduce the volume or discontinue use.

Caring for others
Keep the volume at a moderate level. This will allow you to hear outside sounds and to be considerate to people around you.

Cautions on Water-resistance
This radio is designed so that it can be used with slight exposure to rain, snow and other forms of moisture, but there are several points on which caution should be observed.

- Do not allow it to come in contact with large amounts of water.
- Do not immerse it in water.
- If water should get on it or if it should fall into water, take it out immediately and wipe it off with a dry cloth. The interior of the battery compartment has no water-resistance. The battery may corrode, so wipe out the interior of the battery compartment as follows.
 - Open or close the battery compartment with dry hands in a place without exposure to any water.
 - Wipe off the battery and the inside of the battery compartment. Give special attention to the contacts so that no water remains on them.

Warning

If there is lightning when you are using the unit, take off the headphones immediately.

If you have any questions or problems concerning your unit, please consult the nearest Sony dealer.

Specifications

Frequency range:
FM: 87.6 - 108 MHz
AM: 530 - 1 710 kHz

Power output:
Headphones: 3.6 mW + 3.6 mW (at 10 % harmonic distortion)

Output:
Headphones jack (ø 3.5 mm stereo minijack) load impedance 16 Ω

Power requirements:
1.5 V DC, one size AA (R6) battery

Dimensions:
Approx. 65 × 96.8 × 26 mm (w/h/d) (2 5/8 × 3 7/8 × 1 1/16 inches) excl. projecting parts and controls

Mass:
Approx. 95.8 g (3.4 oz) incl. battery

Supplied accessories

Stereo headphones (1, Vertical-in-the-ear type), Belt Clip (1), Arm band (1), Mount (1)

Design and specifications are subject to change without notice.

Installing the Battery

(See Fig. A)

- 1 Open the battery compartment lid and install one battery.
- 2 Close the lid.

Battery Life (Approx. hours)	(EIAJ*)	
	FM	AM
Sony alkaline size AA (LR6)	95	130
Sony size AA (R6)	35	45

* Measured value by the standard of EIAJ (Electronic Industries Association of Japan)
The battery life may shorten depending on the operation of the unit.

When replacing the battery
Replace the battery when the sound becomes weak or distorted. Remove the old battery and insert a new one.

Notes on Battery

- Insert the battery with correct polarity.
- The battery can not be charged.
- Remove the battery when the unit is not to be used for a long time.
- Should any battery leakage occur, wipe the battery case well and install a new battery.

Playing the radio

(See Fig. B)

- 1 Connect the supplied headphones to (headphones) jack.
- 2 Set the POWER switch to ON to turn on the radio.
- 3 Select the BAND.
FM
DX : for FM reception, normally set it to DX.
LOCAL : if a very strong signal causes noise, set it to LOCAL.
AM : for AM reception.
- 4 Adjust the volume with VOL.
- 5 Tune in the desired station.

To turn off the radio
Set the POWER switch to OFF.

To improve the reception
FM : The headphones cord serves as the antenna, so extend it as long as possible.

AM : A ferrite bar antenna is built into the radio for AM reception. Rotate the radio horizontally for optimum reception.

Using the AVLS function

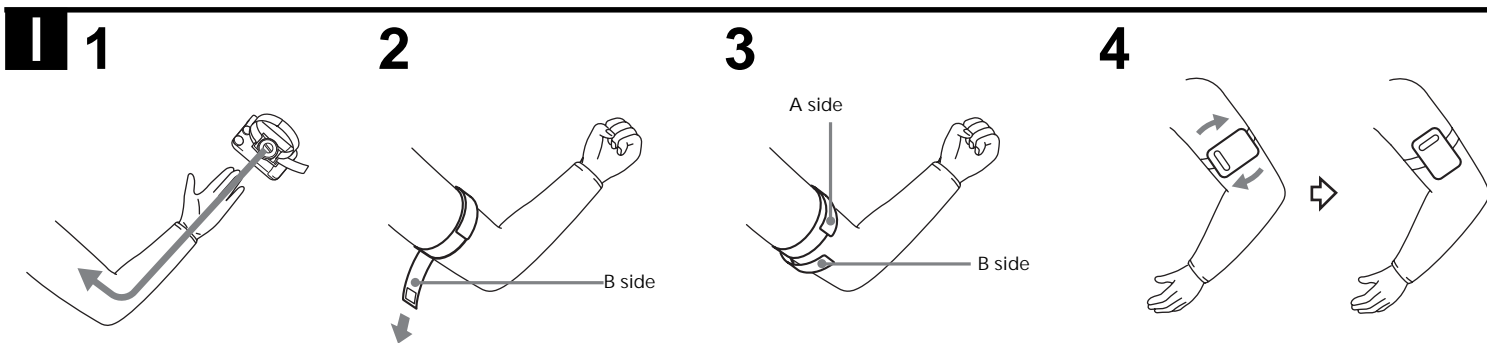
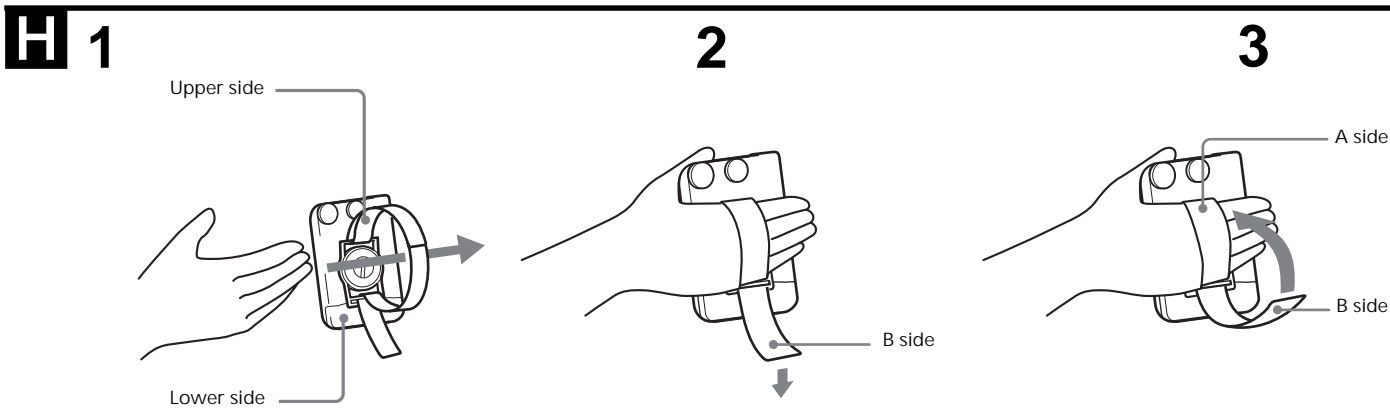
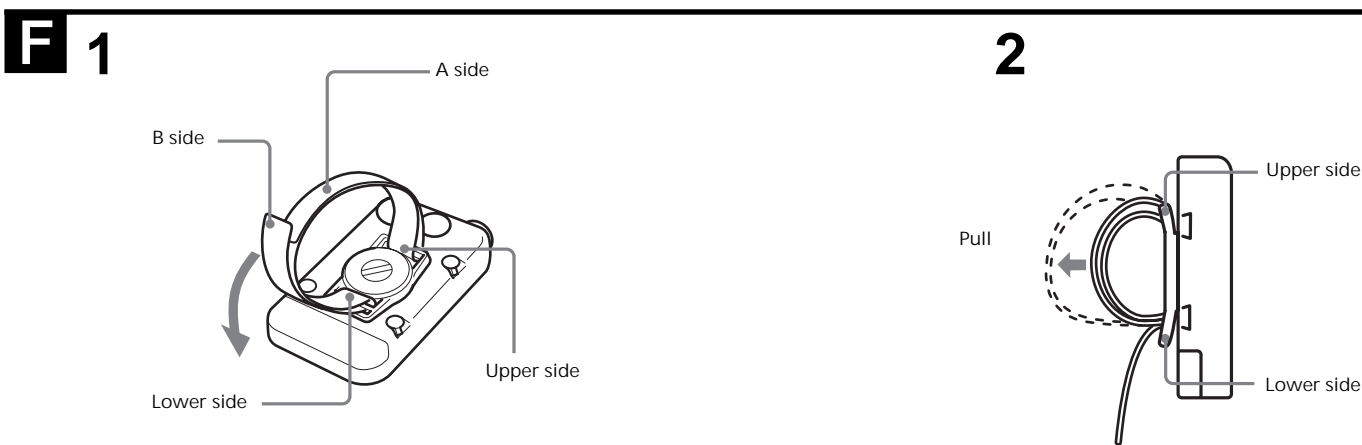
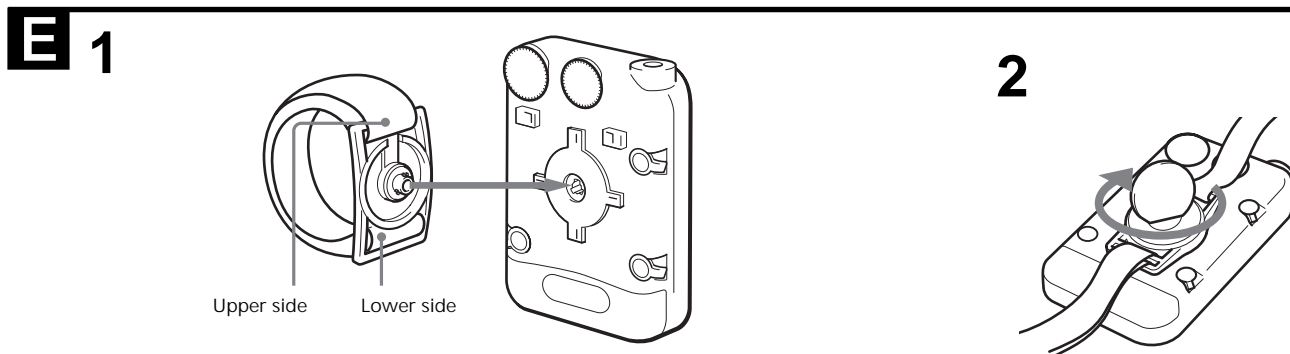
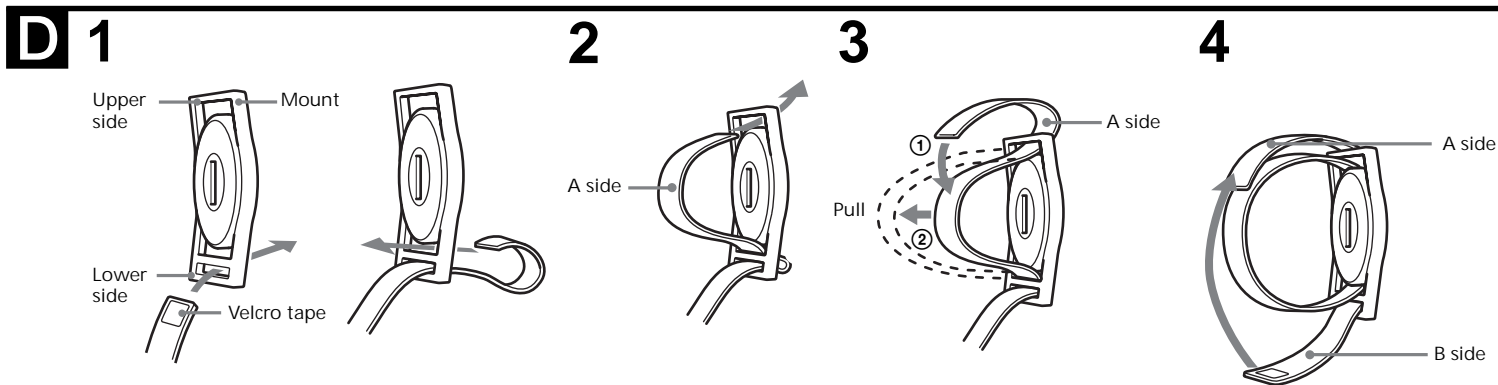
When the AVLS selector (see fig. B-⊖) is set to either position 1 or 2, (around 95 dB, 85 dB respectively) the volume will be kept at a moderate level without degradation of the sound quality, even if you attempt to turn the volume up higher.
When the AVLS selector is turned off, you will be able to enjoy the full volume capability of your radio.

Attaching to your belt

(See Fig. C)

Use the belt clip when attaching the unit to your belt.
To attach the belt clip, see fig. C-a.
To detach the belt clip, see fig. C-b.

LIMITED WARRANTY
(Portable Audio)
FOB 30\$ 以下



Before attaching to your hand or arm

When you use the unit while doing sports, use the arm band to attach the unit to your hand or arm.

Threading the arm band to the mount (See Fig. **D**)

- 1 Thread the arm band to the lower side of the mount. The arm band which has Velcro tape must be above.
- 2 Thread the A side to the upper side of the mount.
- 3 Attach the A side to the band ① and pull the band ② to extend the loop.
- 4 Attach the B side to the A side.

Connecting the mount to the unit (See Fig. **E**)

- 1 Connect the mount that is attached the arm band to the knob of the unit.
- 2 Fasten the shaft using a coin.

Adjusting the length of the band (See Fig. **F**)

- 1 Detach the B side from the A side.
- 2 Extend the loop to be able to insert your hand or arm.

To adjust more tightly (or loosely) (See Fig. **G**)
Change the position of the A side and reattach to the band.

Attaching to your hand (See Fig. **H**)

- 1 Put your hand into the loop.
- 2 Pull the B side.
- 3 Attach the B side to the A side.

Attaching to your arm (See Fig. **I**)

- 1 Put your arm into the loop.
- 2 Pull the B side.
- 3 Attach the B side to the A side.
- 4 Rotate the unit.