

Active Speaker System

Operating Instructions
Manual de instrucciones

SRS-D4100

http://www.sony.net/

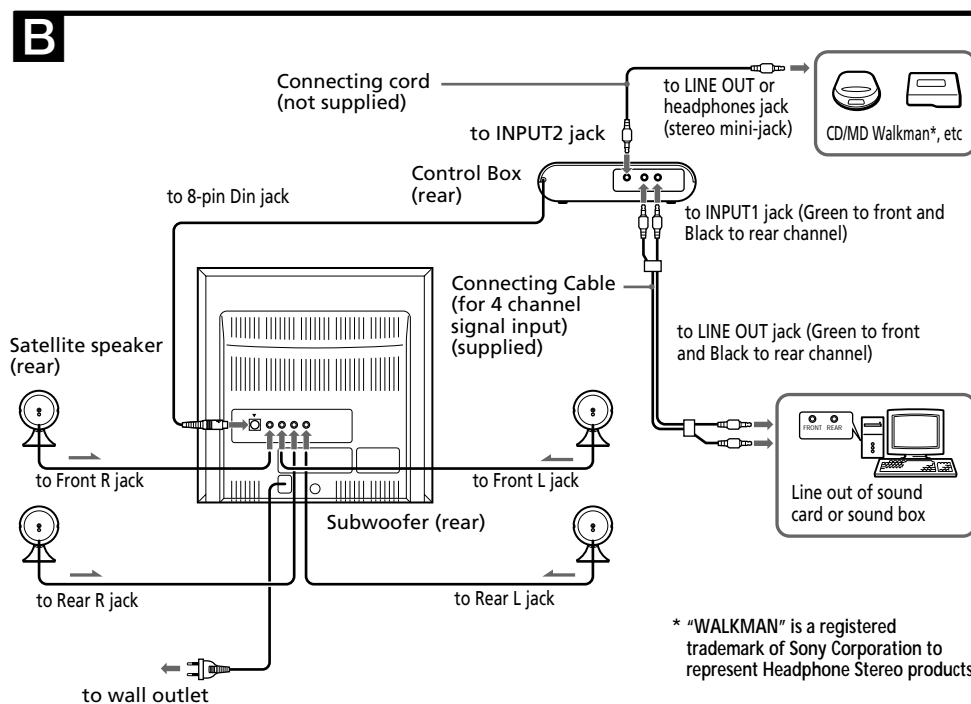
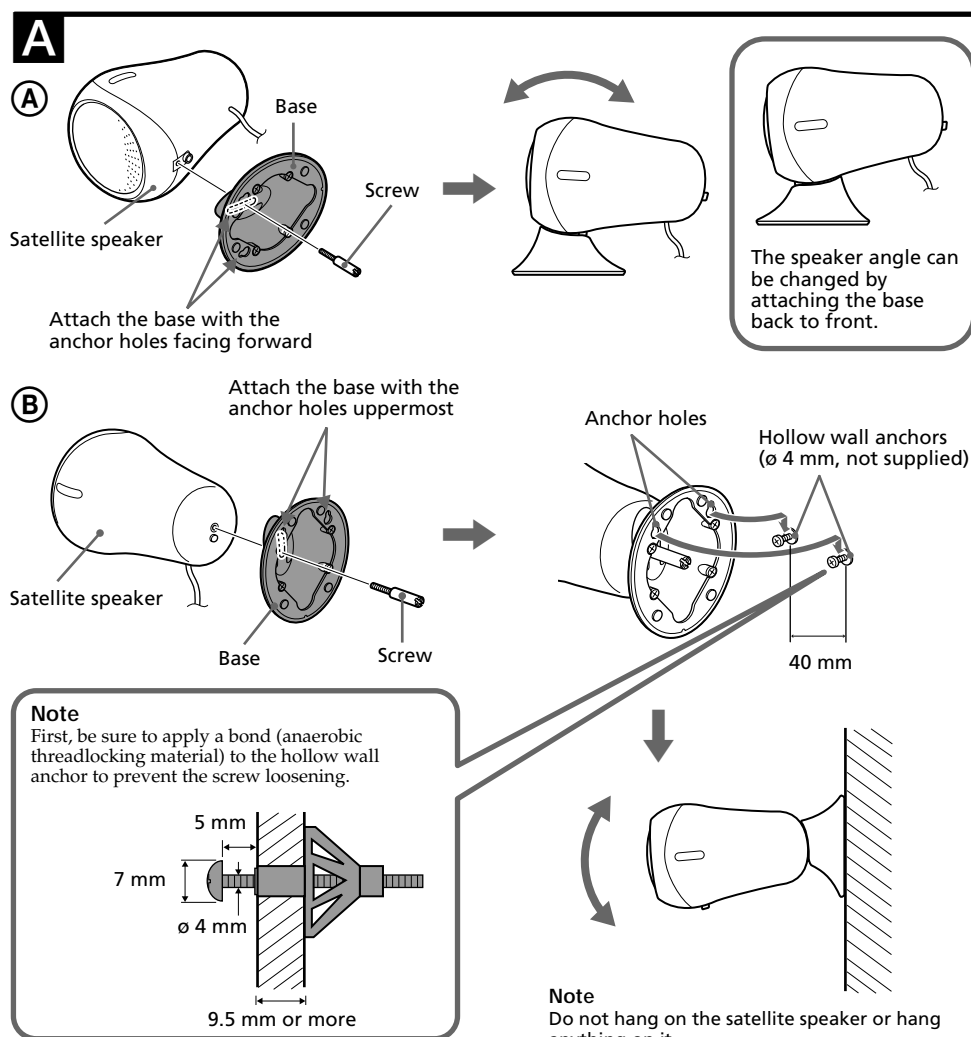
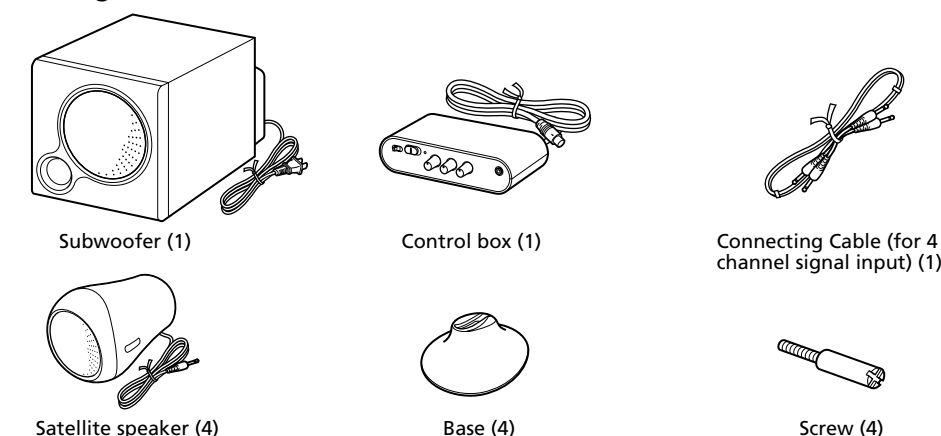
© 2004 Sony Corporation Printed in China

Owner's Record

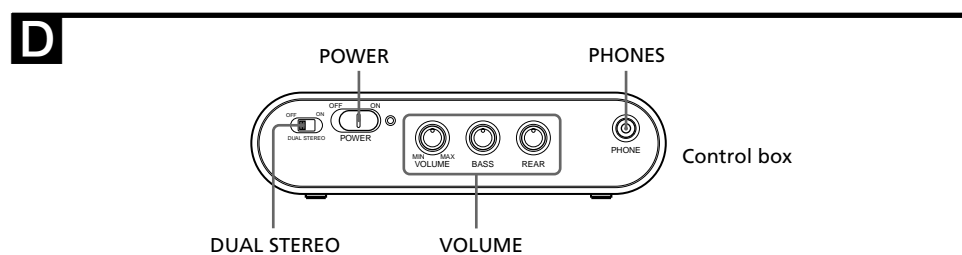
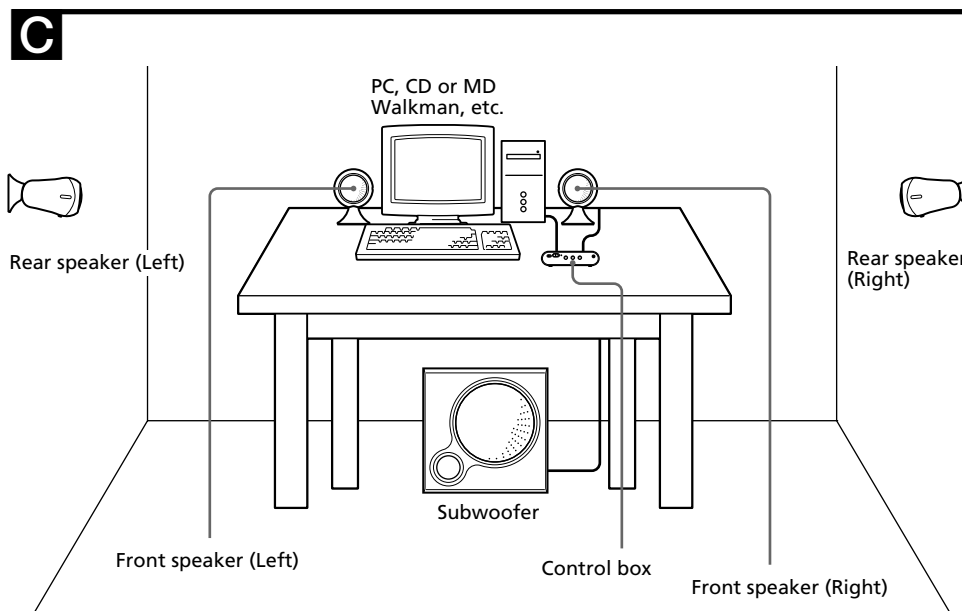
The model number and the serial number are located on the rear of the subwoofer.
Record the model number and the serial number in the space provided below.
Refer to them whenever you call upon your Sony dealer regarding this product.

Model No. SRS-D4100
Serial No. _____

Package Contents



* "WALKMAN" is a registered trademark of Sony Corporation to represent Headphone Stereo products.



VOLUME: Controls total volume level.
BASS: Adjusts bass level (Subwoofer)
REAR: Adjusts rear surround sound (Rear Speaker)
PHONE: Connect to headphones for personal listening
In this case, only the front L/R channel signals will be useful. You cannot use the BASS or REAR volume dial.

DUAL STEREO: Switches a 2 channel source to 4 channel.
Set the switch to **ON** when a 2-channel source is output from a PC, Walkman, etc., connected to this system.
Set the switch to **OFF** when a 4-channel source is output from a PC or sound card connected to this system. 4-channel surround sound will be output. In this case, the rear speakers will not operate with a 2-channel source. For details about the sound card setting, refer to the operating instructions of the sound card.

This system needs either a sound card (4 channel) for PC or a decoder box. They are not supplied with this system.

English

Before operating the unit, please read this manual thoroughly and retain it for future reference.

WARNING

To prevent fire or shock hazard, do not expose the unit to rain or moisture.

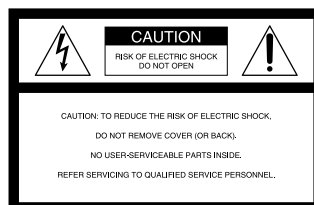
To avoid electrical shock, do not open the cabinet. Refer servicing to qualified personnel only.
To prevent fire, do not cover the ventilation of the apparatus with news papers, table-cloths, curtains, etc. Do not place lighted candles on the apparatus.
To prevent fire or shock hazard, do not place objects filled with liquids, such as vases, on the apparatus.

Do not install the appliance in a confined space, such as a bookcase or built-in cabinet.

CAUTION

You are cautioned that any changes or modification not expressly approved in this manual could void your authority to operate this equipment.

NOTICE FOR THE CUSTOMERS IN THE USA



This symbol is intended to alert the user to the presence of uninsulated "dangerous voltage" within the product's enclosure that may be of sufficient magnitude to constitute a risk of electric shock to persons.

This symbol is intended to alert the user to the presence of important operating and maintenance (servicing) instructions in the literature accompanying the appliance.

Precautions

On safety

The nameplate indicating operating voltage, power consumption, etc., is located on the rear exterior.

• Before operating the system, be sure that the operating voltage of the system is identical with that of your local power supply.

Where purchased	Operating voltage
U.S.A./Canada	120 V AC, 60 Hz
European countries	220 - 230 V AC, 50 Hz
Other countries	• 110 - 120 V AC, 50/60 Hz • 220 - 230 V AC, 50 Hz

- The unit is not disconnected from the AC power source (mains) as long as it is connected to the wall outlet, even if the unit itself has been turned off.
- Unplug the system from the wall outlet if it is not to be used for an extended period of time. To disconnect the cord, pull the cord by grasping the plug. Never pull the cord itself.
- Should any liquid or solid object fall into the system, unplug the system's power cord and have the system checked by qualified personnel before operating it any further.
- The AC power cord should be changed only at a qualified service shop.

- For efficient heat dissipation, ensure there is sufficient space to the rear of the subwoofer. Also, avoid placing objects on the unit.
- Do not insert your hand or any objects into the hole of the subwoofer.

On operation

- Do not drive the speaker system with a continuous wattage exceeding the maximum input power of the system.
- Before connecting, turn off the speaker system, the PC and audio component to avoid damaging the speaker system.
- The volume level should not be turned up to the point of distortion.
- Although this system is magnetically shielded, do not leave recorded tapes, watches, personal credit cards or floppy disks using magnetic coding in front of the system for an extended period of time.

If the TV picture or monitor display is magnetically distorted

Although this system is magnetically shielded, there may be cases that the picture on some TV sets/personal computers may become magnetically distorted. In such a case, turn off the power of the TV set/personal computer once, and after 15 to 30 minutes turn it on again. In the case of a personal computer, take appropriate measures, such as data storage, before turning it off.
When there seems to be no improvement, locate the system farther away from the TV set/personal computer. Furthermore, be sure not to place objects in which magnets are attached or used near the TV set/personal computer, such as audio racks, TV stands, toys etc. These may cause magnetic distortion to the picture due to their interaction with the system.

On placement

- Do not set the speakers in an inclined position.
- Do not leave the system in a location near heat sources, or in a place subject to direct sunlight, excessive dust, moisture, rain or mechanical shock.
- Do not install the satellite speaker anywhere other than on a wall.
- Do not hang on the satellite speaker or hang anything on it.

On cleaning

Do not use alcohol, benzene, or thinner to clean the cabinet.

If you have any questions or problems concerning your speaker system, please consult your nearest Sony dealer.

Installing the satellite speakers

(See fig. A)

Use the supplied screws to attach the base to the satellite speaker. The satellite speaker can be used either placed on a desk or attached to a wall.

When you use the satellite speaker on a desk (See fig. A-A)

By attaching the base to the satellite speaker, it can be placed on a desk.

- 1 **Match the hole of the base and the bottom hole of the satellite speaker.**
Attach the base with the anchor holes facing forward.
The base allows you to adjust the satellite speaker to the desired angle.
- 2 **Ensure the screws are tight.**
Tighten the screw with your finger. If it is difficult, use a screwdriver to secure the screw.

When you use the satellite speaker attached to a wall (See fig. A-B)

By attaching the base to the satellite speaker, it can be attached to a wall. Follow the Notes (below) to install safely. Improper installation may result in the speaker falling and causing bodily injury or damage to the speaker or other object.

- 1 **Align the hole in the base with the hole at the rear of the satellite speaker.**
Attach the base with the anchor holes uppermost. The base allows you to adjust the satellite speaker to the desired angle.
- 2 **Ensure the screws are tight.**
Tighten the screw with your finger. If it is difficult, use a screwdriver to secure the screw.
- 3 **Secure the hollow wall anchor in the wall — refer to the illustration.**

Notes

- Confirm wall thickness is sufficient. A minimum thickness of 9.5 mm is recommended for plasterboard.
- Use the specified clamp (hollow wall anchor, not supplied) when attaching to plasterboard.
- Refer to the supplied operating instructions using a hollow wall anchor.
- Use wall anchors of at least 20 kg hanging capacity.
- Refer to the instruction supplied with hollow wall anchor.
- Requires $\phi 4$ mm hollow wall anchor.
- Set up the head of a hollow wall anchor 5 mm from the wall.
- Apply a bond (anaerobic threadlocking material) to the hollow wall anchor to prevent the screw loosening.

4 **Attach the satellite speaker to the wall.**
Insert both wall anchors in the anchor holes of the satellite speaker base.

Note
Ensure that the satellite speaker is securely attached to the wall before use.

Hooking up the system

(See fig. B)

- 1 **Connect the cord of the control box to the 8-pin Din jack of the subwoofer with their respective arrows aligned.**
- 2 **Connect the satellite speakers to the subwoofer.**
Confirm the location of the satellite speakers, and then connect to their respective jacks.
- 3 **Connect the control box to the source equipment.**
- Line out of sound card or sound box:
Connect the INPUT1 jacks (FRONT and REAR) of the control box and the jacks of the sound card with the supplied connecting cord. For details, refer to the operating instructions of the sound card.
- CD/MD Walkman, etc.:
Connect the INPUT2 jack of the control box and LINE OUT or headphones jack of a CD/MD Walkman, etc. The connecting cord is not supplied with this system.
Note
To switch INPUT1 and INPUT2, use ON/OFF of the device connected to the control box.

4 **Connect the subwoofer to the wall outlet.**

5 **Position the speakers. (See fig. C)**

Listening to the sound (See fig. D)

First, turn down the volume on the control box. The volume should be set to minimum before you begin playing the programme source.

- 1 **Set the POWER switch to ON on the control box.**
The POWER indicator lights up.
- 2 **Adjust the VOLUME control on the control box.**
You can adjust the volume of the subwoofer and each satellite speaker.
When connecting to the headphone output, also adjust the volume of the connected component. After listening, set the POWER switch to OFF. The POWER indicator goes off.
- 3 **Using headphones/earphones.**
Connect headphones/earphones to the PHONES jack on the control box.
Notes
 - Turn off the MEGA BASS or BASS BOOST (Walkman, etc.) function as it may cause audible distortion.
 - Only the front L/R channel signals will be useful. You cannot use the BASS or REAR volume dial.

Troubleshooting

Should you encounter a problem with your speaker system, check the following list and take the indicated measures. If the problem persists, consult your nearest Sony dealer.

There is no sound from the speaker system.

- Make sure all the connections have been correctly made.
- Make sure the VOLUME dial and the each speaker's volume dial (BASS, REAR) on the control box.
- Make sure the connected component has been turned up properly.
- Check if headphones are connected. If they are, disconnect them.

The sound is distorted.

- Turn down the volume level on the connected component. Or, if the connected component has a BASS BOOST function, set it to off.
- Rotate BASS on this unit to reduce the bass volume.
- Turn VOLUME on this unit down to reduce the volume.

There is hum or noise in the speaker output.

- Make sure all the connections have been correctly made.
- Make sure none of the audio components are positioned too close to the TV set.

The sound has suddenly stopped.

Make sure all the connections have been correctly made.

The brightness of the POWER indicator is unstable.

The brightness of the POWER indicator may become unstable when the volume is turned up. This is not a malfunction.

Specifications

Speaker section

Satellite speaker	
Speaker system	Full range, magnetically shielded
Speaker units	5.6 cm, cone type
Enclosure type	Closed type
Impedance	6 Ω
Cord length	3 m
Subwoofer	
Speaker system	Woofer
Speaker units	16 cm, cone type
Enclosure type	Bass reflex
Impedance	6 Ω

Amplifier section

Rated output	
12 W (10% T.H.D., 1 kHz, 6 Ω) (Satellite speaker)	
80 W (10% T.H.D., 100 Hz, 6 Ω) (Subwoofer)	
Input	
Stereo mini jack \times 2 (INPUT 1 for 4 channel signal input)	
Stereo mini jack \times 1 (INPUT 2 for 2 channel signal input)	
Input impedance	
Output	4.7 k Ω (at 1 kHz)
	Stereo mini jack \times 1 (PHONES)

General

Dimensions (w/h/d)	
Approx. 166 \times 40 \times 83 mm (6 5/8 \times 1 5/8 \times 3 1/8 in.) (Control box)	
Approx. 95 \times 135 \times 150 mm (3 7/8 \times 5 1/8 \times 6 in.) (Satellite speaker, on a desk)	
Approx. 95 \times 100 \times 180 mm (3 7/8 \times 4 \times 7 1/8 in.) (Satellite speaker, attached to a wall)	
Approx. 285 \times 285 \times 462 mm (11 1/4 \times 11 1/4 \times 18 1/4 in.) (Subwoofer)	
Mass	
Approx. 220 g (8 oz.) (Control box)	
Approx. 490 g (1 lb. 1 oz.) (Satellite speaker)	
Approx. 8.6 kg (18 lb. 15 oz.) (Subwoofer)	
Cord length	
2 m (Control box to subwoofer)	
2 m (Power cord)	
Power consumptions	
41 W	

Supplied accessories

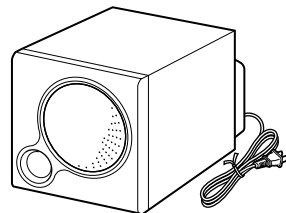
Connecting Cable (for 4 channel signal input)

Optional accessories

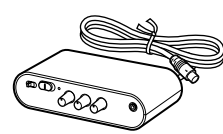
Connecting cord RK-G136, RK-G138
Plug adaptor PC-236MS

Design and specifications are subject to change without notice.

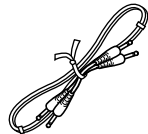
Contenido del paquete



Altavoz potenciador de graves (1)



Cuadro de controles (1)



Cable de conexión (para la señal de entrada de 4 canales) (1)



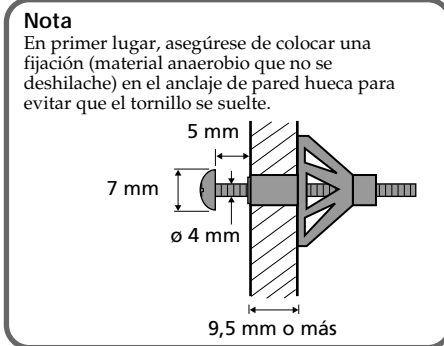
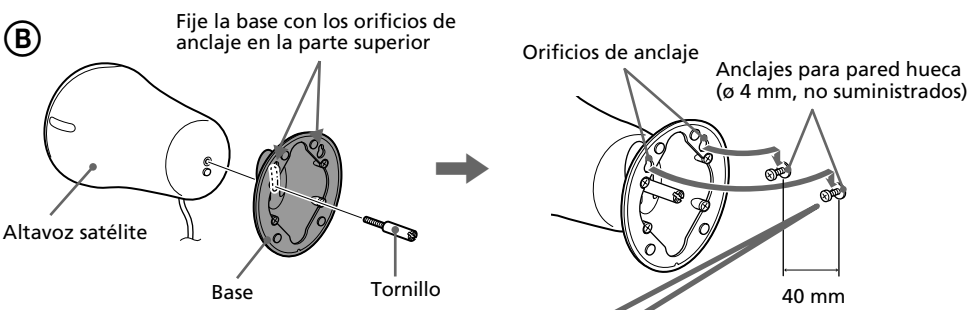
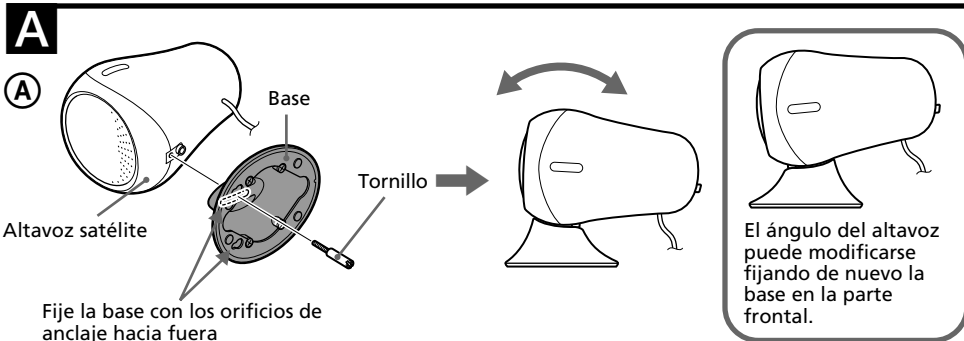
Altavoz satélite (4)



Base (4)

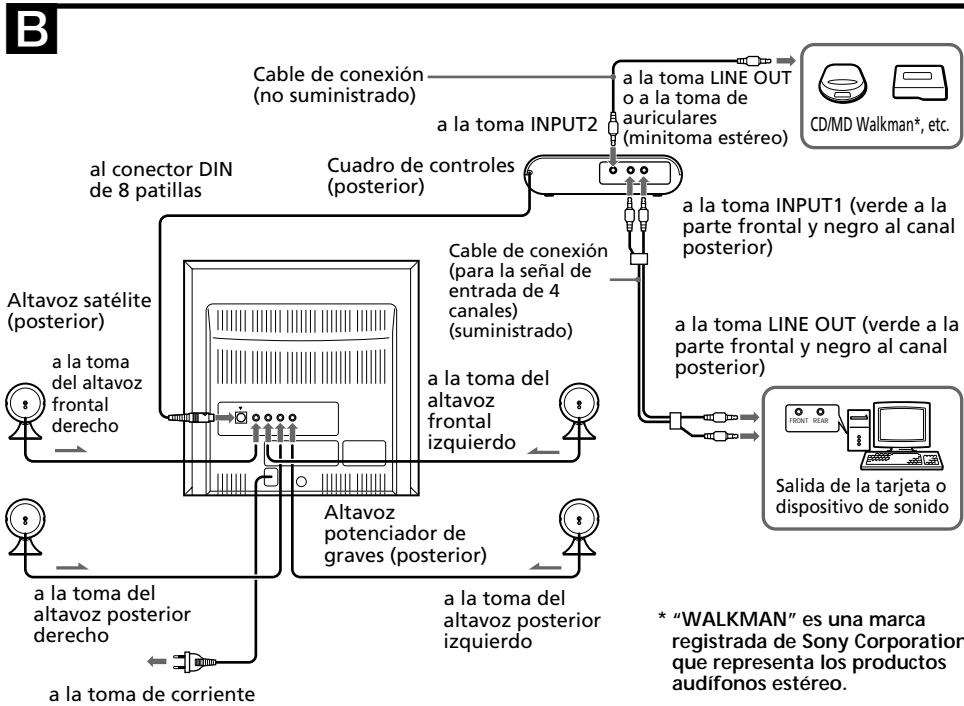


Tornillo (4)

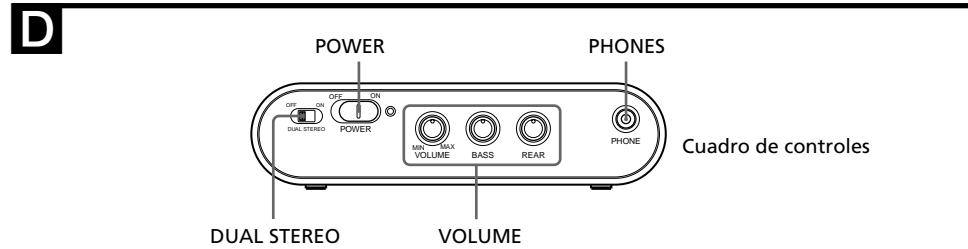
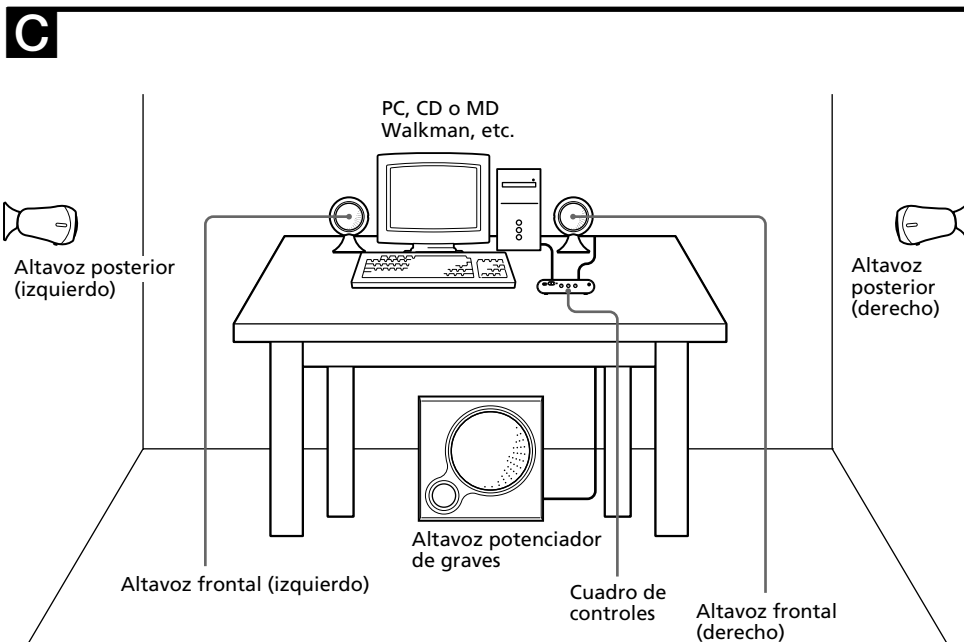


Nota
En primer lugar, asegúrese de colocar una fijación (material anaerobio que no se deshila) en el anclaje de pared hueca para evitar que el tornillo se suelte.

Nota
No cuelgue el altavoz satélite ni cuelgue nada del mismo.



* "WALKMAN" es una marca registrada de Sony Corporation que representa los productos audífonos estéreo.



VOLUME: Controla el nivel total del volumen.
BASS: Ajusta el nivel de graves (altavoz potenciador de graves)
REAR: Ajusta el sonido envolvente posterior (altavoz posterior)
PHONE: Toma para conectar los auriculares.
En este caso, sólo serán útiles las señales del canal L/R frontal. No podrá utilizar el control de volumen BASS o REAR.

DUAL STEREO: Cambia de una fuente de 2 canales a una de 4.
Ajuste el interruptor en **ON** cuando escuche una fuente de 2 canales desde un PC, Walkman, etc., conectado a este sistema.
Ajuste el interruptor en **OFF** cuando escuche una fuente de 4 canales desde un PC o tarjeta de sonido conectados a este sistema. Se emite sonido envolvente de 4 canales. En este caso, los altavoces traseros no funcionarán con fuentes de 2 canales. Para más detalles sobre la configuración de las tarjetas de sonido, consulte el manual de instrucciones de la tarjeta de sonido.

Este sistema requiere una tarjeta de sonido (4 canales) para PC o un decodificador, que no suministran con el sistema.

Español

Antes de utilizar la unidad, lea este manual atentamente y consérvelo para consultarlo en el futuro.

Para los clientes en México
Sistema de altavoces activo
POR FAVOR LEA DETALLADAMENTE ESTE MANUAL DE INSTRUCCIONES ANTES DE CONECTAR Y OPERAR ESTE EQUIPO. RECUERDE QUE UN MAL USO DE SU APARATO PODRÍA ANULAR LA GARANTÍA.

ADVERTENCIA

Para evitar incendios o riesgo de electrocución, no exponga la unidad a la lluvia ni a la humedad. Para evitar descargas eléctricas, no abra la unidad. En caso de avería, solicite los servicios de personal cualificado solamente.
Para evitar el riesgo de incendio, no cubra la ventilación del aparato con periódicos, manteles, cortinas, etc., ni ponga velas encendidas encima del aparato.
Para evitar el riesgo de incendio o electrocución, no coloque sobre el aparato objetos que contengan líquidos como, por ejemplo, un jarrón.

No instale el aparato en un espacio cerrado, como una estantería para libros o un armario empotrado.

Precauciones

Seguridad
La placa donde se indica el voltaje de funcionamiento, el consumo de energía, etc. se encuentra en la parte exterior trasera de la unidad.

- Antes de utilizar el sistema compruebe si la tensión de la alimentación del mismo es idéntica a la de la fuente de alimentación local.
- La unidad no estará desconectada de la fuente de alimentación de ca mientras permanezca conectada a la toma de corriente, incluso si está apagada.
- Si el sistema no se va a utilizar durante un período de tiempo prolongado, desconéctelo de la toma de corriente. Para desconectar el cable, tire de él agarrando del enchufe. Nunca debe tirar del cable.
- Si algún objeto sólido o líquido cae sobre el sistema, desenchufe el cable de alimentación y haga revisar el sistema por personal cualificado antes de volver a utilizarlo.
- El cable de alimentación de ca sólo deberá ser sustituido en un centro de servicio cualificado.
- Para una correcta ventilación, compruebe que queda suficiente espacio libre en la parte posterior del altavoz potenciador de graves. También debe evitar colocar objetos encima de la unidad.
- No introduzca la mano ni ningún objeto en el orificio del altoparlante potenciador de graves.

Funcionamiento

- No haga funcionar el sistema de altavoces permanentemente con una potencia superior a la potencia máxima de entrada del sistema.
- Antes de realizar la conexión, apague el sistema de altavoces, el PC y el componente de audio para evitar dañar el sistema de altavoces.
- El nivel de volumen no debe alcanzar el punto de distorsión.
- Aunque este sistema está magnéticamente protegido, no deje cintas grabadas, relojes, tarjetas de crédito ni disquetes que utilicen codificación magnética enfrente del sistema durante un largo período de tiempo.

Si la imagen del televisor o la pantalla del monitor aparece distorsionada debido al magnetismo

Aunque este sistema está magnéticamente protegido, en algunos casos la imagen de algunos televisores o computadoras personales puede distorsionarse debido al magnetismo. Si esto ocurre, apague el televisor o la computadora y enciéndalo de nuevo transcurridos de 15 a 30 minutos. En el caso de la computadora personal, tome medidas adecuadas, como guardar los datos antes de apagarlo.
Si no se produce ninguna mejora, aleje el sistema del televisor o de la computadora. Asimismo, no coloque objetos que contengan o utilicen imanes cerca del televisor o de la computadora, como soportes de audio, mesas de televisores, juguetes, etc., ya que pueden provocar una distorsión magnética de la imagen debido a la interacción con el sistema.

Conexión del sistema de altavoces (consulte la figura B)

1 Conecte el cable del cuadro de controles al conector DIN de 8 patillas del altoparlante potenciador de graves con las respectivas flechas alineadas.

2 Conecte los altavoces satélite al altavoz potenciador de graves.
Decida la ubicación de los altavoces satélite y conéctelos a las tomas respectivas.

3 Conecte el cuadro de controles al equipo fuente.

– **Salida de la tarjeta o dispositivo de sonido:**
Conecte las tomas INPUT1 (altavoz frontal y posterior) del cuadro de controles y las tomas de la tarjeta de sonido con el cable de conexión suministrado. Para obtener más información, consulte el manual de instrucciones de la tarjeta de sonido.

– **CD/MD Walkman, etc.:**
Conecte la toma INPUT2 del cuadro de controles y la toma LINE OUT o la toma de auriculares del Walkman de CD/MD, etc. El cable de conexión no se suministra con este sistema.

Nota
Para cambiar de la toma INPUT1 a la toma INPUT2, utilice el interruptor ON/OFF del dispositivo conectado al cuadro de controles.

4 Conecte el altavoz potenciador de graves a la toma de corriente.

5 Coloque los altavoces. (consulte la figura C)

Reproducción del sonido

(consulte la figura D)

En primer lugar, disminuya el volumen del cuadro de controles. Antes de empezar a escuchar un programa, el volumen debe estar al mínimo.

1 Ajuste el interruptor POWER del cuadro de controles en la posición ON.
El indicador POWER se ilumina.

2 Ajuste el control VOLUME del cuadro de controles.
Puede ajustar el volumen del altavoz potenciador de graves y de cada altavoz satélite. Al conectarlos a la salida de auriculares, ajuste también el volumen del componente conectado. Cuando haya terminado de escuchar, ajuste el interruptor POWER en OFF. El indicador POWER se apaga.

3 Utilización de auriculares.
Conecte los auriculares a la toma PHONES del cuadro de controles.

Notas

- Desactive la función MEGA BASS o BASS BOOST (Walkman, etc.), ya que puede distorsionar el sonido.
- Sólo serán útiles las señales del canal L/R frontal. No podrá utilizar el control de volumen BASS o REAR.

Resolución de problemas

Si tiene algún problema con el sistema de altavoces, compruebe la lista siguiente y tome las medidas oportunas. Si el problema continúa, consulte con su distribuidor Sony más cercano.

El sistema de altavoces no emite ningún sonido.

- Compruebe que todas las conexiones se han realizado correctamente.
- Compruebe el control VOLUME y el control de volumen de todos los altavoces (BASS, REAR) en el cuadro de controles.
- Compruebe que el componente conectado se ha encendido correctamente.
- Compruebe si los auriculares están conectados. Si es así, desconéctelos.
- El sonido se distorsiona.
 - Baje el volumen del componente conectado. Si el componente conectado dispone de la función de amplificación de graves, desactívela.
 - Gire BASS en esta unidad para reducir el volumen de los graves.
 - Gire VOLUME en esta unidad para reducir el volumen.

Se perciben zumbidos o ruido en la salida de altavoz.

- Compruebe que todas las conexiones se han realizado correctamente.
- Compruebe que ninguno de los componentes de audio se encuentre demasiado cerca del televisor.

El sonido se detiene de repente.
Compruebe que todas las conexiones se han realizado correctamente.

El brillo del indicador POWER es inestable.
Es posible que el brillo del indicador POWER se vuelva inestable cuando se suba el volumen. No se trata de un error de funcionamiento.

Especificaciones

Sección de los altavoces

Altavoz satélite	Gama completa, protegidos magnéticamente
Sistema de altavoces	5,6 cm, tipo cónico
Altavoces	Tipo cerrado
Tipo de caja	6 Ω
Impedancia	3 m
Longitud del cable	
Altavoz potenciador de graves	
Sistema de altavoces	Altavoz potenciador de graves
Altavoces	16 cm, tipo cónico
Tipo de caja	Reflector de graves
Impedancia	6 Ω

Sección de amplificador

Salida nominal	12 W (10 % T.H.D., 1 kHz, 6 Ω) (altavoz satélite) 80 W (10 % T.H.D., 100 Hz, 6 Ω) (altavoz potenciador de graves)
Entrada	Minitoma estéreo × 2 (INPUT 1 para señal de entrada de 4 canales) Minitoma estéreo × 1 (INPUT 2 para señal de entrada de 2 canales) 4,7 kΩ (a 1 kHz)
Impedancia de entrada	Minitoma estéreo × 1 (PHONES)
Salida	

Generales

Dimensiones (an/al/pr)	Aprox. 166 × 40 × 83 mm (cuadro de controles) Aprox. 95 × 135 × 150 mm (altavoz satélite sobre una mesa) Aprox. 95 × 100 × 180 mm (altavoz satélite sujeto a la pared) Aprox. 285 × 285 × 462 mm (altavoz potenciador de graves)
Masa	Aprox. 220 g (cuadro de controles) Aprox. 490 g (altavoz satélite) Aprox. 8,6 kg (altavoz potenciador de graves)
Longitud del cable	2 m (del cuadro de controles al altavoz potenciador de graves) 2 m (cable de alimentación)
Consumo de energía	41 W

Accesorios incluidos

Cable de conexión (para la señal de entrada de 4 canales)

Accesorios opcionales

Cable de conexión RK-G136, RK-G138
Adaptador de clavija PC-236MS

Diseño y especificaciones sujetos a cambio sin previo aviso.