

Wireless Stereo Speaker System

Operating Instructions

Mode d'emploi

Manual de instrucciones

Owner's Record

The model number is located at the bottom of the transmitter and the rear of the speaker system.
The serial number is located at the bottom of the transmitter and the speaker system.
Record these numbers in the spaces provided below. Refer to them whenever you call upon your Sony dealer regarding this product.

Model No.	Transmitter	TMR-930
	Speaker system	SRS-RF930R

Serial No.	Transmitter _____
	Speaker system _____

SRS-RF930RK

© 2005 Sony Corporation Printed in Malaysia

English

WARNING

To reduce the risk of fire or electric shock, do not expose this apparatus to rain or moisture. To avoid electrical shock, do not open the cabinet. Refer servicing to qualified personnel only.

Information

You are cautioned that any changes or modifications not expressly approved in this manual could void your authority to operate this equipment.

For the Customers in the U.S.A.

If you have any questions about this product, you may call:
Sony Customer Information Services Center
1-800-222-7669 or http://www.sony.com/

Declaration of Conformity

Trade Name: SONY
Model No.: SRS-RF930R
Responsible Party: Sony Electronics Inc.
Address: 16530 Via Esprillo,
San Diego, CA 92127 USA
858-942-2220
Telephone No.: _____

This device complies with Part 15 of the FCC Rules. Operation is subject to the following two conditions: (1) This device may not cause harmful interference, and (2) this device must accept any interference received, including interference that may cause undesired operation.

For the Customers in Canada

Operation is subject to the following two conditions: (1) This device may not cause interference, and (2) this device must accept any interference, including interference that may cause undesired operation of the device.

For the customers in the USA and Canada

RECYCLING NICKEL METAL HYDRIDE BATTERIES

Nickel Metal Hydride batteries are recyclable. You can help preserve our environment by returning your used rechargeable batteries to the collection and recycling location nearest you.

For more information regarding recycling of rechargeable batteries, call toll free 1-800-822-8837, or visit http://www.rbr.org/

Caution: Do not handle damaged or leaking Nickel Metal Hydride batteries.

Getting started

Check that you have the following items:

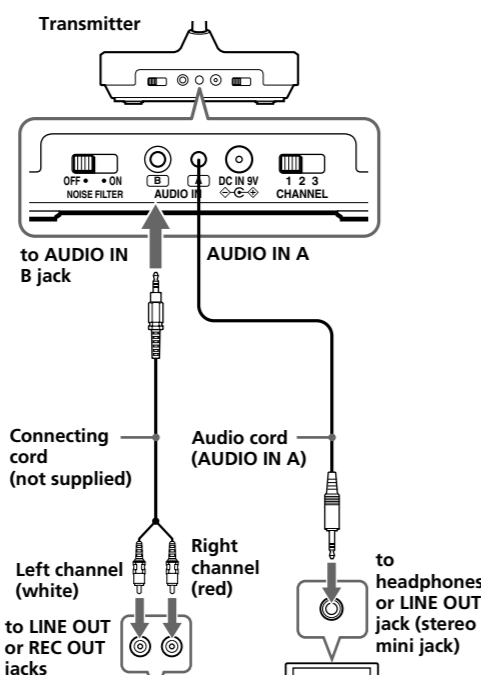
- The speaker system
- The transmitter
- AC power adaptor

Hooking up the system

Connecting the transmitter to audio/video equipment

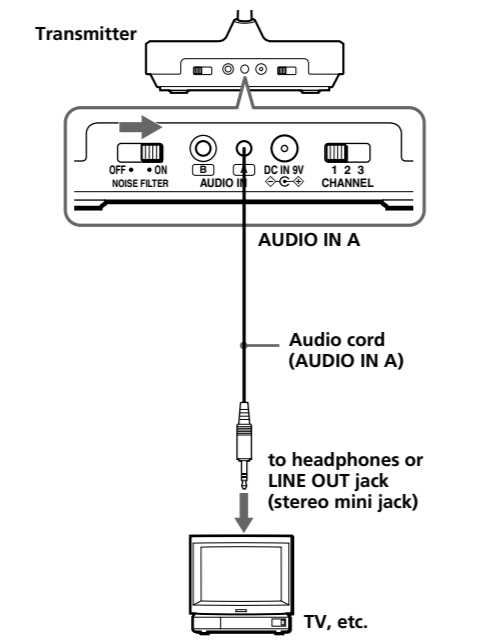
Set the transmitter by the following steps. Select the hookup depending on the jack type of the audio/video equipment you want to connect the transmitter to.

- Ⓐ To connect to LINE OUT, REC OUT or headphones jack



- Ⓑ To connect to TV, etc.

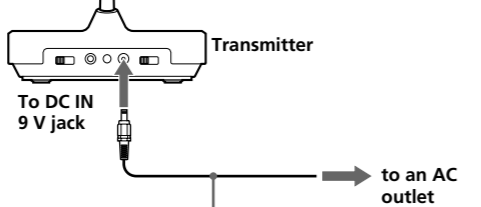
If noise occurs when the transmitter is connected to the headphone jack of your TV or VCR, set the NOISE FILTER switch to ON.



Notes

- If you connect the transmitter to LINE OUT or REC OUT jack, do not set the NOISE FILTER switch to ON. Otherwise, the volume will be limited.
- The NOISE FILTER switch is effective only in case of connection using AUDIO IN A.
- When the transmitter is placed on or near a TV, it may pick up a noise. In such case, place the transmitter away from the TV.
- When you connect the connecting cord directly to an earphone jack, the audio signal will not be output through the right channel. In such a case, use the separately sold PC-236MS plug adaptor.
- If the connected equipment has the AVLS (Automatic Volume Limiter System) function, be sure to turn the function off when using the transmitter. Otherwise, you will have to turn up the volume of the speaker system, and that may cause noise.
- If the connected equipment has the BASS BOOST or MEGA BASS function, be sure to turn the function off when using the transmitter. Otherwise, the sound from the speaker system may be distorted.
- Do not place the transmitter near a fluorescent lamp, etc. when using the system.

Connecting the transmitter to an AC outlet using the supplied AC power adaptor

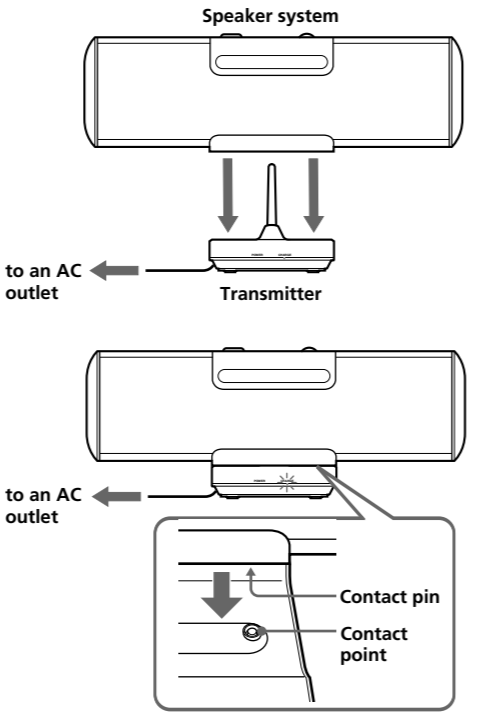


Use only the supplied AC power adaptor. Do not use any other AC power adaptor to avoid damaging the transmitter.



Charging the speaker system battery

Rest the speaker system on the transmitter so that the speaker system's contact pins meet the transmitter's contact points while making sure that the CHARGE indicator lights in green.



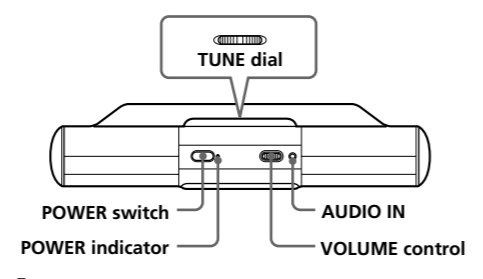
- Notes**
- While charging the battery, turn off the speaker system.
 - Charging is completed in about 16 hours, and the CHARGE indicator goes off.
 - Charge the rechargeable battery within a temperature of 0 °C to 35 °C (32 °F to 95 °F).
 - Do not turn on the speaker system while charging the rechargeable battery. Otherwise, the battery will not be fully charged.
 - Do not remove the speaker system from the transmitter until charging is finished.
 - If you remove the speaker system from the transmitter and replace, charging will take longer.
 - If you remove the speaker system from the transmitter by accident and replace within 5 seconds, charging time will not be affected.
 - If you charge the speaker system again after the CHARGE indicator goes off, remove it from the transmitter and replace after about 15 seconds.
 - To prolong the life of the rechargeable battery, charge it only after it has been completely used up.
 - The life of the built-in rechargeable battery is about 3 years. But it differs depending on operating conditions.

Operating the system

Listening to a program

Before using the speaker system, charge the built-in rechargeable battery first.
Turn down the volume of the speaker system before playing back a program on the connected audio/video equipment.

Listening to a program from the transmitter by wireless transmission



- 1 First turn on the audio/video equipment and start playing. The POWER indicator of the transmitter will light up.
- 2 Turn on the speaker system. The POWER indicator of the speaker system will light in red.
- 3 Select the radio frequency with the CHANNEL selector.

Disposing of the speaker system

Be sure to remove the built-in rechargeable battery from the speaker system before you dispose of the speaker system.

- 1 Remove 8 screws from the speaker system using a cross-point screw driver as illustrated below.

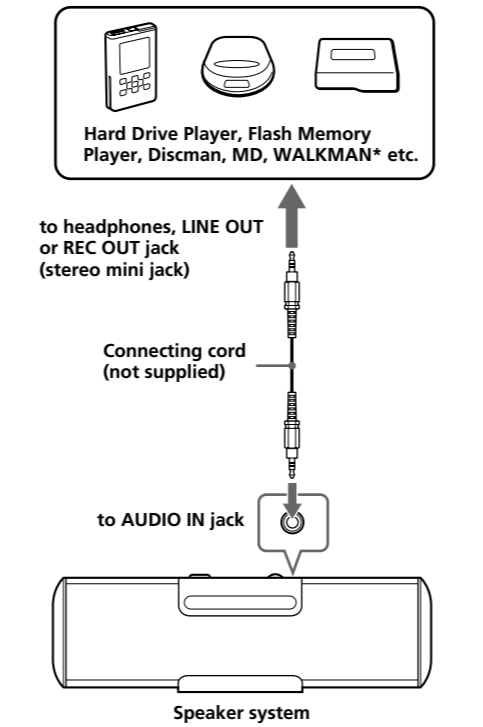
Note
If you use the unit near a cordless telephone, it may cause radio interference. If poor reception occurs, try another channel using the CHANNEL selector.

- 4 Use the TUNE dial to adjust the tuning of the speaker system. Use the VOL control to adjust the volume.

- Notes**
- When the POWER indicator of the speaker system does not light up, or if it turns off immediately, charge the rechargeable battery.
 - Do not place the transmitter and the speaker system near any metal instrument. Otherwise, the receiving range from the transmitter may be reduced.

Listening to another audio device connected to the speaker system

You can use this speaker system to listen to a connected CD/MD WALKMAN, etc. by connecting to the AUDIO IN jack using the separately sold RK-G136 connecting cord.



- Notes**
- When you use the speaker system, remove it from the transmitter.
 - Do not use the speaker system while charging the rechargeable battery. Otherwise, the battery life may be shortened.

* "WALKMAN" is a registered trademark of Sony Corporation to represent Headphone Stereo products.

Sending RF signals from the transmitter
The transmitter starts sending the RF signals automatically, when it detects audio signals from the equipment connected.

If it does not detect an audio signal for more than approximately four minutes, the transmitter will stop sending RF signals, and the POWER indicator turns off.
When the transmitter receives an audio signal again, it starts sending the RF signals, and the POWER indicator will light in red again.
If the audio signal is very weak, the transmitter does not send RF signals. If the transmitter is connected to a headphone jack, make sure the volume of the equipment connected is set to 5 - 6 or higher.

You may not hear the beginning of the sound from the speaker system until the transmitter starts sending the RF signals after detecting an audio signal.

- Notes**
- If the transmitter is connected to the headphones jack of the source equipment, set the volume of that equipment as high as possible without distorting the audio signal.
 - If a hissing noise is heard, move it closer to the transmitter.
 - If you hold the antenna of the transmitter with your hand, noise may occur. But this is not a malfunction.

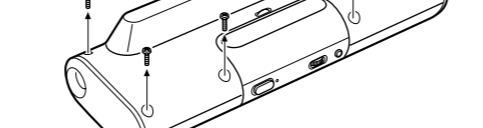
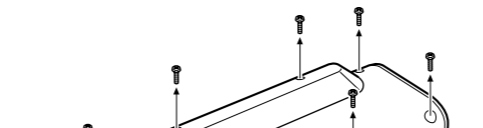
The effective areas of the transmitter
The optimum distance is up to approximately 150 feet (46 m) without the system picking up some interference. However, the distance may vary according to the surroundings and environment. If the system picks up some noise while using it within the above mentioned distance, reduce the distance between the transmitter unit and the speaker system, or select another channel.

- Notes**
- When you use the speaker system within the effective areas of the transmitter, the transmitter can be placed in any direction from the listener.
 - Even within the signal reception area, there are some spots (dead spot) where the RF signal cannot be received. This is a characteristic inherent to RF signals, and does not indicate malfunction. By slightly moving the transmitter, location of the dead spot can be changed.

Disposing of the speaker system

Be sure to remove the built-in rechargeable battery from the speaker system before you dispose of the speaker system.

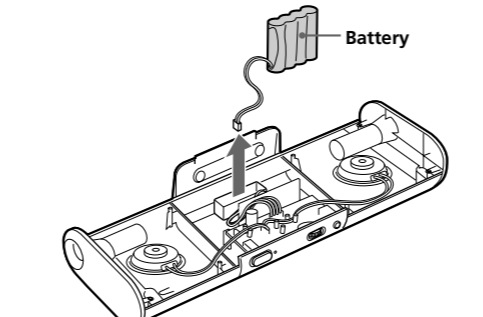
- 1 Remove 8 screws from the speaker system using a cross-point screw driver as illustrated below.



- Notes**
- When the POWER indicator of the speaker system does not light up, or if it turns off immediately, charge the rechargeable battery.
 - Do not place the transmitter and the speaker system near any metal instrument. Otherwise, the receiving range from the transmitter may be reduced.

2 Open the cabinet of the speaker system

and remove the rechargeable battery as illustrated.



Additional information

Precautions

Notes on the AC power adaptor

- Plug the AC power adaptor into a nearby AC outlet. In case of a problem, unplug from the AC outlet immediately.
- Do not use the AC power adaptor on a bookshelf or in a confined place such as a cabinet.
- Do not use the AC power adaptor in a place subject to liquid or moisture to avoid fire or electric shock. Furthermore, do not place liquid-filled vessels, such as a vase, etc., on the AC power adaptor.
- When the transmitter is not to be used for a long period of time, disconnect the AC power adaptor from the AC outlet holding the plug. Do not pull on the cord.

Notes on the location you set the speaker system

- Do not leave the wireless speaker system in a location subject to:
 - Direct sunlight or extremely high temperature such as near a heater or in a car with its windows closed.
 - High humidity such as in a bathroom.
 - Excessive dust or sandy places.
- The speaker system is magnetically shielded, but do not put a recorded tape, watch, cash card or floppy disk in front of the speaker system.
- Set up the speaker system on a flat surface.

Notes on charging the battery

- When you charge the rechargeable battery, use the supplied transmitter only.
- The charging time differs depending on usage conditions of the battery.
- When you use the battery for the first time or the battery has not been used for a long time, the battery duration time may become shorter than the usual duration time. However, after you charge the battery several times, the battery duration time returns to its normal condition.
- If the battery duration time becomes half of its normal time even after the battery is charged fully, the battery is worn out. In this case, consult your nearest Sony dealer.

Notes on using the speaker system

- Do not disassemble the speaker unit, built-in amplifier or cabinet.
- Do not insert an object into the jack. Doing so may cause a malfunction.
- Keep the volume at a moderate level to prevent distortion.
- Do not touch the contact points of the transmitter or the contact pins of the speaker system with any metal object, otherwise a short circuit may occur.
- If the contact points or the contact pins are dirty, charging may not occur. Clean them regularly with a soft cloth, etc., taking care not to damage the contact pins.

Note on cleaning

Clean the cabinet of the speaker system with a soft cloth slightly moistened with water or a mild detergent solution. Do not use any type of abrasive pad, scouring powder or solvent such as alcohol or benzene as it may mar the finish of the cabinet.

When the color of your monitor screen becomes irregular

Because this speaker system is magnetically shielded, you can set it up near a monitor. But depending on the model of the monitor, color irregularity may occur.

To correct the color irregular

Turn off the monitor, and then turn it on again after 15 to 30 minutes.

If color irregularity remains after performing the above

- Separate the monitor and the speaker system.
- Make sure that no magnetic object, such as may be attached to a door of shelf, healthcare device or toys, etc., is located near the speaker system.

If you have any questions or problems concerning the system that are not covered in this manual, please consult your nearest Sony dealer.

Troubleshooting

No sound/Muffled sound

- Check the connection of the audio/video equipment.
- Check that the audio/video equipment is turned on.
- Turn up the volume on the connected audio/video equipment, if the transmitter is connected to the headphones jack.

- Change the radio frequency with the CHANNEL selector on the transmitter, then adjust the TUNE dial again.

- No sound is heard by wireless transmission.
 - If a cord is connected to the AUDIO IN jack of the speaker system, no sound is heard by wireless transmission. Disconnect the cord from the AUDIO IN jack first, and use the TUNE dial to adjust the tuning of the speaker system until sound is heard.
- The speaker system's POWER indicator light is turned off.
 - Turn on the POWER switch, and turn it off, then turn it on again.
 - Charge the built-in rechargeable battery or if the POWER indicator is still off after charging the built-in rechargeable battery, take the speaker system to a Sony dealer for replacement of the rechargeable battery.

- If you connect the transmitter to the LINE OUT or REC OUT jack of an audio reproducer, make sure that the NOISE FILTER switch is set to OFF.
- Make sure that the NOISE FILTER switch is set to either ON or OFF. (If the switch gets stuck between ON and OFF, the sound will be cut off.)

Distortion

- If the transmitter is connected to the headphones jack, turn down the volume of the connected audio/video equipment. If the connected audio/video equipment has BASS BOOST function, set its function to OFF.
- If the connected audio/video equipment has a LINE OUT jack, connect its LINE OUT jack.
- Change the radio frequency with the CHANNEL selector on the transmitter, then adjust the TUNE dial again.
- The speaker system's POWER indicator light is turned off.
 - Turn on the POWER switch, and turn it off, then turn it on again.
 - Charge the built-in rechargeable battery or if the POWER indicator is still off after charging the built-in rechargeable battery, take the speaker system to a Sony dealer for replacement of the rechargeable battery.
- If you connect the transmitter to the LINE OUT or REC OUT jack of an audio reproducer, make sure that the NOISE FILTER switch is set to OFF.

Loud background noise

- Move closer to the transmitter. As you move away from the transmitter, more noise is likely to be heard.
- If the transmitter is connected to the headphones jack, turn up the volume of the connected audio/video equipment.
- Change the radio frequency with the CHANNEL selector on the transmitter, then adjust the TUNE dial again.
- The speaker system's POWER indicator light is turned off.
 - Turn on the POWER switch, and turn it off, then turn it on again.
 - Charge the built-in rechargeable battery or if the POWER indicator is still off after charging the built-in rechargeable battery, take the speaker system to a Sony dealer for replacement of the rechargeable battery.
- If you connect the transmitter to the LINE OUT or REC OUT jack of an audio reproducer, make sure that the NOISE FILTER switch is set to OFF.

The CHARGE indicator does not light up even though the speaker system sits on the transmitter

- Remove the speaker system from the transmitter, then replace it after 15 seconds.
- The speaker system is not placed correctly on the transmitter.
- Place the speaker system in the correct orientation onto the transmitter.
- The speaker system is placed backwards on the transmitter.
- Clean the contact pins of the speaker system and the contact points of the transmitter with a soft cloth.

The battery duration time is short

- If you use the battery under the temperature lower than 0 °C (32 °F), this is not a malfunction.
- The battery life may end. If the battery duration time becomes half of its normal time even after the battery is charged fully, consult your nearest Sony dealer.

Specifications

General	
Carrier frequency	913.5, 914, 914.5 MHz
Channel	Ch1, Ch2, Ch3
Modulation	FM stereo
Transmitter	
Power source	DC 9 V; supplied AC power adaptor (AC-5901)
Audio input	Input cord - stereo mini plug (1.5 m)/stereo mini jack
Input impedance	27 kΩ / 50 Ω at 1 kHz
Dimensions	Approx. 120 × 107 × 123 mm (4 3/4 × 4 1/4 × 4 7/8 in.) (w/h/d)
Mass	Approx. 192 g (6.8 oz.)
Speaker system	
Speaker system	Full range, Bass reflex, magnetically shielded
Speaker Unit	57 mm (diameter)
Rated output	2 W
Audio input	stereo mini jack
Input impedance	59 kΩ at 1 kHz
Dimensions	Approx. 366 × 120 × 86 mm (14 1/2 × 4 3/4 × 3 1/2 in.) (w/h/d)
Mass	Approx. 905 g (31.9 oz.) incl. built-in rechargeable battery
Built-in Ni-MH rechargeable battery	
Voltage	4.8 V
Capacity	700 mAh
Duration time	Approx. 14 hours*
Charging time	Approx. 16 hours (from fully discharged to fully charged)
* at 5 mW + 5 mW output	

Supplied accessories

- AC adaptor (1)
- Operating instructions (1)

Optional accessories

- Connecting cord RK-G129 (Stereo mini plug ↔ Phono plug × 2, 1.5 m)
- RK-G136 (Stereo mini plug ↔ Stereo mini plug, 1.5 m)
- Plug adaptor PC-236MS (stereo mini jack ↔ monaural mini plug)

Design and specifications are subject to change without notice.

Français

AVERTISSEMENT

Pour éviter tout risque d'incendie ou de choc électrique, n'exposez pas l'appareil à la pluie ou à l'humidité.
Pour prévenir tout risque d'électrocution, n'ouvrez jamais le coffret. Adressez-vous à un personnel qualifié uniquement pour toute intervention sur l'appareil.

Avertissement

Soyez avisé que toute modification non expressément approuvée dans le présent mode d'emploi pourrait entraîner l'annulation de vos droits d'utilisation de ce produit.

Pour les utilisateurs au Canada

Son utilisation est autorisée seulement aux conditions suivantes: (1) Il ne doit pas produire de brouillage et (2) l'utilisateur du dispositif doit être prêt à accepter tout brouillage radioélectrique reçu, même si ce brouillage est susceptible de compromettre le fonctionnement du dispositif.

Pour les utilisateurs aux Etats-Unis et au Canada

RECYCLAGE DES ACCUMULATEURS À HYDRURE MÉTALLIQUE DE NICKEL

Les accumulateurs à hydrure métallique de nickel sont recyclables. Vous pouvez contribuer à préserver l'environnement en rapportant les piles usées dans un point de collection et recyclage le plus proche.

Pour plus d'informations sur le recyclage des accumulateurs, téléphonez le numéro gratuit 1-800-822-8837 (Etats-Unis et Canada uniquement), ou visitez <http://www.rbrc.org/>

Avertissement : Ne pas utiliser des accumulateurs à hydrure métallique de nickel qui sont endommagés ou qui fuient.

Bienvenue !

Nous vous remercions d'avoir fait l'acquisition du système d'enceinte stéréo sans fil SRS-RF930RK de Sony. Avant de faire fonctionner cet appareil, lisez attentivement le fonctionner mode d'emploi et conservez-le pour toute référence ultérieure. Cet appareil offre, entre autres, les caractéristiques suivantes :

- Système sans fil permettant l'utilisation de votre système sans être limité par le cordon des enceintes.
- Longue portée de réception des signaux allant jusqu'à environ 46 m (150 pi.).
- Ce système d'enceinte peut être alimenté par une batterie rechargeable intégrée afin d'obtenir un système d'enceinte sans fil parfait.
- Système intelligent de recharge de la batterie sur le transmetteur.
- Enceinte de type stéréo à boîtier unique facile à transporter et permettant une installation dans n'importe quel endroit.
- 2 entrées sur le transmetteur permettent de raccorder un ordinateur, ainsi que d'autres équipements audio.
- L'entrée analogique sur l'appareil principal permet de raccorder directement un autre équipement audio portatif.
- Fonction de syntonisation manuelle disponible sur l'enceinte.

Remarques sur la qualité de transmission

Comme le système de cet appareil utilise des signaux de très haute fréquence dans la bande des 900 MHz, l'environnement de l'appareil peut entraîner une détérioration de la qualité de transmission. Les exemples suivants illustrent les situations pouvant réduire la plage de transmission et perturber la réception.

- Utilisation à l'intérieur d'un bâtiment à structure en acier.
- Utilisation dans des pièces contenant de nombreux classeurs ou autres éléments en acier.
- Utilisation à proximité d'un grand nombre d'appareils électriques générant des parasites électromagnétiques.
- Installation du transmetteur sur un instrument métallique.
- Utilisation à proximité d'une route.
- Parasites ou interférences autour de l'appareil, provenant d'émetteurs-récepteurs de camions ou d'autres appareils.
- Parasites ou interférences autour de l'appareil, provenant de systèmes de communication sans fil installés le long des routes.
- Installation du transmetteur directement sur le sol. Il est recommandé d'installer le transmetteur en hauteur, par exemple sur un bureau.

Préparatifs

Déballage

Vérifiez que vous disposez de tous les éléments suivants :

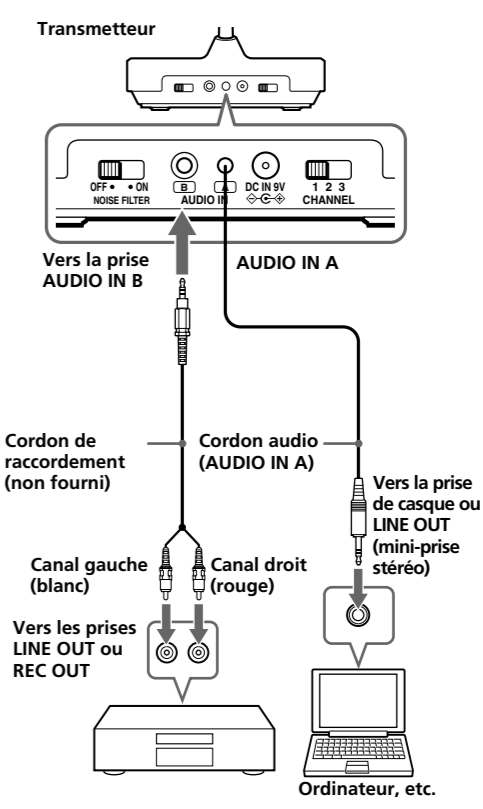
- Système d'enceinte
- Transmetteur
- Adaptateur CA

Raccordement du système

Raccordement du transmetteur à un appareil audio ou vidéo

Installez le transmetteur en effectuant les étapes suivantes. Choisissez le raccordement à effectuer selon le type de prise de l'appareil audio ou vidéo auquel vous souhaitez raccorder le transmetteur.

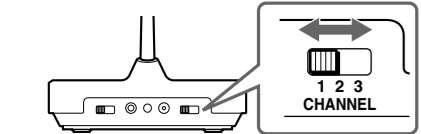
- Ⓐ Raccordement à une prise LINE OUT, REC OUT ou une prise de casque.



- Ⓑ Raccordement à un téléviseur ou à un autre appareil.

Si des parasites sont audibles

3 Seleccionez la frecuencia radio à l'aide du sélecteur CHANNEL.



Remarque
Si vous utilisez l'appareil à proximité d'un téléphone sans fil, il risque d'y avoir des interférences radio. Si la réception est mauvaise, sélectionnez un autre canal à l'aide du sélecteur CHANNEL.

4 Utilisez la molette TUNE pour ajuster la syntonisation du système d'enceinte. Utilisez la commande VOL pour régler le volume.

Remarques

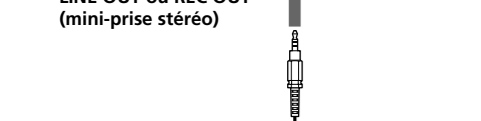
- Si le témoin POWER du système d'enceinte ne s'allume pas ou si l's éteint immédiatement, chargez la batterie rechargeable.
- N placez ni le transmetteur, ni le système d'enceinte à proximité d'un outil en métal. Sinon, la plage de réception à partir du transmetteur risque d'être réduite.

Écoute d'un autre appareil audio raccordé au système d'enceinte

Vous pouvez utiliser ce système d'enceinte pour écouter un CD/MD WALKMAN, etc. en vous raccordant à la prise AUDIO IN à l'aide du cordon de raccordement RK-G136 vendu séparément.



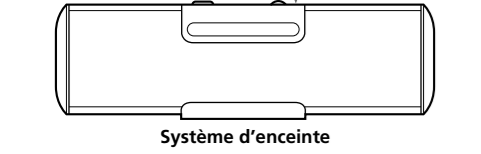
vers la prise de casque, LINE OUT ou REC OUT (mini-prise stéréo)



Cordon de raccordement (non fourni)



vers la prise AUDIO IN



Remarques

- Si vous utilisez le système d'enceinte, retirez-le du transmetteur.
- N'utilisez pas le système d'enceinte lors de la mise en charge de la batterie. Sinon, l'autonomie de la batterie risque d'être raccourcie.

* «WALKMAN» est une marque déposée par Sony Corporation pour représenter les produits stéréo dotés d'écouteurs.

Émission des signaux RF par le transmetteur

Le transmetteur se met automatiquement à émettre des signaux RF quand il détecte des signaux audio provenant de l'appareil raccordé. S'il ne détecte aucun signal audio pendant plus d'environ quatre minutes, le transmetteur cesse d'émettre des signaux RF et le témoin POWER s'éteint.

Si le transmettre reçoit de nouveau un signal audio, il commence à émettre les signaux RF et le témoin POWER s'allume de nouveau en rouge. Si le signal audio est très faible, le transmetteur n'émet pas de signaux RF. Si le transmetteur est raccordé à une prise de casque, réglez le volume de l'appareil raccordé à 5 ou 6 ou plus.

Il se peut que vous ne puissiez pas entendre les premiers sons émis par le système d'enceinte, jusqu'à ce que le transmetteur commence à émettre des signaux RF après la détection d'un signal.

Remarques

- Si le transmetteur est raccordé à la prise de casque de l'appareil source, réglez le volume de cet appareil au niveau le plus élevé possible sans provoquer une distorsion du signal audio.
- Si un sifflement se fait entendre, rapprochez l'appareil du transmetteur.
- Si vous tenez l'antenne du transmetteur à la main, des parasites risquent de se produire, mais ceci n'a rien d'anormal.

Portée du transmetteur

La portée optimale du transmetteur est de 46 m (150 pi) environ sans que le système ne capte d'interférences. Cependant, cette distance peut varier selon l'environnement de l'appareil. Si le système capte des parasites alors qu'il est utilisé dans la zone définie ci-dessus, rapprochez le transmetteur et le système d'enceinte ou sélectionnez un autre canal.

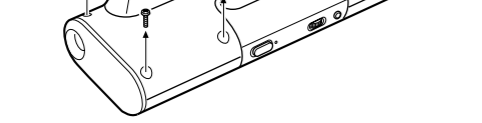
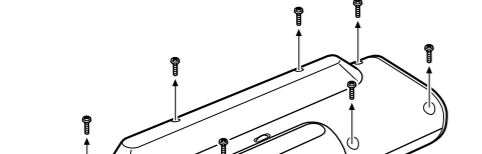
Remarques

- Quand vous utilisez le système d'enceinte dans la zone de couverture du transmetteur, la direction du transmetteur par rapport à l'émetteur n'importe pas.
- Dans la zone de réception des signaux, il existe cependant certains endroits (zones de silence) où la réception des signaux RF est impossible. Il s'agit d'une caractéristique inhérente aux signaux RF et n'indique pas un problème de fonctionnement. Il est possible de modifier l'emplacement de la zone de silence en déplaçant légèrement le transmetteur.

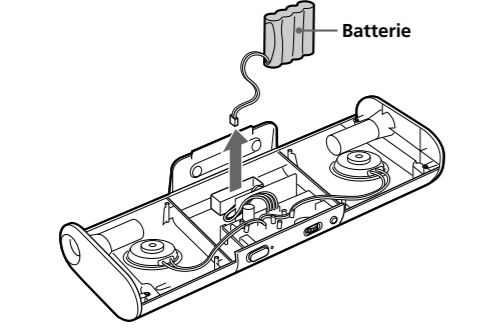
Élimination du système d'enceinte

Veillez à retirer la batterie rechargeable intégrée du système d'enceinte avant de le mettre au rebut.

1 Retirez les 8 vis du système d'enceinte à l'aide d'un tournevis à pointe en croix, tel qu'illustré ci-dessous.



2 Ouvrez le boîtier du système d'enceinte et retirez la batterie rechargeable comme illustré.



Informations complémentaires

Précautions

Remarques sur l'adaptateur CA

- Branchez l'adaptateur CA sur une prise de courant située à proximité. En cas de problème, débranchez-le immédiatement de la prise de courant.

- Ne placez pas l'adaptateur CA sur une bibliothèque ou dans un espace restreint comme dans un meuble.
- N'utilisez pas l'adaptateur CA dans un endroit soumis aux projections liquides ou à l'humidité afin d'éviter tout incendie ou choc électrique. En outre, ne placez pas de récipients remplis de liquide, tels qu'un vase, etc. sur l'adaptateur CA.
- S'éteint.
- Si vous comptez ne pas utiliser le transmetteur pendant une longue période, débranchez l'adaptateur CA de la prise de courant en tirant sur la fiche et non pas sur le cordon.

Remarques sur l'emplacement du système d'enceinte

- Ne placez pas le système d'enceinte sans fil dans un endroit:
 - soumis aux rayons directs du soleil ou à des températures très élevées, par exemple à côté d'un appareil de chauffage ou dans une voiture dont les vitres sont relevées ;
 - soumis à une forte humidité, comme par exemple dans une salle de bain ;
 - très poussiéreux ou sablonneux.
- Le système d'enceinte est doté d'un blindage magnétique. Évitez cependant de placer une cassette enregistrée, une montre, une carte de crédit ou de débit ou une disquette devant le système d'enceinte.
- Installez le système d'enceinte sur une surface plane.

Remarques sur la charge de la batterie

- Lorsque vous chargez la pile rechargeable, utilisez le transmetteur fourni uniquement.
- La durée de charge varie selon les conditions d'utilisation de la batterie.
- Lorsque vous utilisez la batterie pour la première fois ou lorsque que vous ne l'avez pas utilisée pendant une longue période, l'autonomie de la batterie peut devenir inférieure à la durée d'utilisation normale. Toutefois, après avoir rechargé la batterie plusieurs fois, son autonomie revient à des conditions normales.
- Lorsque l'autonomie de la batterie devient deux fois plus courte que la normale, même lorsqu'elle a été rechargée complètement, cela signifie qu'elle est complètement usée. Dans ce cas, consultez votre détaillant Sony le plus proche.

Remarques sur le système d'enceinte

- Ne démontez pas l'enceinte, l'amplificateur intégré ni le boîtier.
- N'insérez pas d'autres objets que la fiche dans la prise. Ceci pourrait entraîner un problème de fonctionnement.
- Maintenez le volume à un niveau raisonnable afin d'éviter toute distorsion du son.
- Ne touchez pas les points de contact du transmetteur ou les broches de contact du système d'enceinte avec un objet en métal, pour ne pas entraîner de court-circuit.

- Si les points de contact ou les broches de contact sont sales, le chargement risque d'être impossible. Nettoyez-les régulièrement avec un chiffon doux, etc., en prenant garde de ne pas endommager les broches de contact.

Remarque sur l'entretien

Nettoyez le boîtier du système d'enceinte avec un chiffon doux légèrement humecté d'eau ou d'une solution détergente douce. N'utilisez pas de tampon abrasif, de poudre à récurer ou de solvant, tel que l'alcool ou la benzine qui risquent d'endommager le fini du boîtier.

Si la couleur de l'écran du moniteur présente des irrégularités

Étant donné que ce système d'enceinte est doté d'un blindage magnétique, vous pouvez l'installer à proximité d'un moniteur. Toutefois, selon le modèle du moniteur, les couleurs à l'écran peuvent devenir irrégulières.

Pour corriger les irrégularités de couleur
Mettez le moniteur hors tension, puis remettez-le sous tension après 15 à 30 minutes.

Si les irrégularités de couleur persistent après l'opération ci-dessus

- Éloignez le moniteur du système d'enceinte.
- Veillez à ne placer aucun objet magnétique à proximité du système d'enceinte, par exemple des objets aimantés pouvant être fixés à la porte d'un meuble, à un appareil médical, à un jouet, etc.

Si vous avez des questions ou des problèmes au sujet du fonctionnement de cet appareil qui ne sont pas abordés dans ce manuel, consultez votre détaillant Sony le plus proche.

Lorsqu'une réparation doit être effectuée, raportez le système d'enceinte ainsi que le transmetteur à votre détaillant Sony.

Guide de dépannage

Pas de son/son étouffé

- Vérifiez les raccordements de l'appareil audio ou vidéo.
- Assurez-vous que l'appareil audio ou vidéo est sous tension.
- Augmentez le volume de l'appareil audio ou vidéo raccordé, si le transmetteur est raccordé à la prise de casque.
- Changez la fréquence radio avec le sélecteur CHANNEL du transmetteur, puis ajustez de nouveau la molette TUNE.
- Aucun son n'est audible avec la transmission sans fil.
 - Si un câble est raccordé à la prise AUDIO IN du système d'enceinte, aucun son n'est audible avec la transmission sans fil. Commencez par débrancher le câble de la prise AUDIO IN, puis utilisez la molette TUNE pour ajuster la syntonisation du système d'enceinte jusqu'à ce que le son soit audible.

- Le témoin POWER du système d'enceinte est éteint.
 - Mettez le système d'enceinte sous tension à l'aide du commutateur POWER, puis mettez-le hors tension et de nouveau sous tension.
 - Rechargez la batterie rechargeable intégrée ou, si le témoin POWER ne s'allume toujours pas après la fin du cycle de charge, confiez votre système d'enceinte à un détaillant Sony afin de remplacer la batterie rechargeable.
- Si vous raccordez le transmetteur à la prise LINE OUT ou REC OUT d'un lecteur audio, assurez-vous que le commutateur NOISE FILTER est réglé à OFF.
- Assurez-vous que le commutateur NOISE FILTER est réglé à ON ou OFF. (si le commutateur est bloqué entre ON et OFF, le son est interrompu.)

Distorsion

- Si le transmetteur est raccordé à la prise de casque, baissez le volume de l'appareil audio ou vidéo raccordé. Si l'appareil audio ou vidéo raccordé est équipé d'une fonction BASS BOOST, désactivez cette fonction.
- Si l'appareil audio ou vidéo raccordé est équipé d'une prise LINE OUT, raccordez cette prise LINE OUT.
- Changez la fréquence radio avec le sélecteur CHANNEL du transmetteur, puis ajustez de nouveau la molette TUNE.
- Le témoin POWER du système d'enceinte est éteint.
 - Mettez le système d'enceinte sous tension à l'aide du commutateur POWER, puis mettez-le hors tension et de nouveau sous tension.
 - Rechargez la batterie rechargeable intégrée ou, si le témoin POWER ne s'allume toujours pas après la fin du cycle de charge, confiez votre système d'enceinte à un détaillant Sony afin de remplacer la batterie rechargeable.
- Si vous raccordez le transmetteur à la prise LINE OUT ou REC OUT d'un lecteur audio, assurez-vous que le commutateur NOISE FILTER est réglé à OFF.

Bruit de fond important

- Rapprochez le système d'enceinte du transmetteur. Plus vous vous éloignez du transmetteur, plus le bruit de fond augmente.
- Si le transmetteur est raccordé à une prise de casque, augmentez le volume de l'appareil audio ou vidéo raccordé.
- Changez la fréquence radio avec le sélecteur CHANNEL du transmetteur, puis ajustez de nouveau la molette TUNE.
- Le témoin POWER du système d'enceinte est éteint.
 - Mettez le système d'enceinte sous tension à l'aide du commutateur POWER, puis mettez-le hors tension et de nouveau sous tension.
 - Rechargez la batterie rechargeable intégrée ou, si le témoin POWER ne s'allume toujours pas après la fin du cycle de charge, confiez votre système d'enceinte à un détaillant Sony afin de remplacer la batterie rechargeable.
- Si vous raccordez le transmetteur à la prise LINE OUT ou REC OUT d'un lecteur audio, assurez-vous que le commutateur NOISE FILTER est réglé à OFF.

Le témoin CHARGE ne s'allume pas même si le système d'enceinte est placé sur le transmetteur

- Retirez le système d'enceinte du transmetteur, puis remettez-le en place après 15 secondes.
- Le système d'enceinte n'est pas placé correctement sur le transmetteur.

- Placez le système d'enceinte dans le bon sens sur le transmetteur.
- Le système d'enceinte est placé à l'arrière sur le transmetteur.

- Nettoyez les broches de contact du système d'enceinte et les points de contact du transmetteur avec un chiffon doux.

L'autonomie de la batterie est courte

→ Ce phénomène est normal si vous utilisez la batterie à une température inférieure à 0 °C (32 °F).

- La fin de la durée de vie de la batterie peut être atteinte. Si l'autonomie de la batterie devient deux fois plus courte que la normale, même après une charge complète, consultez votre détaillant Sony le plus proche.

Spécifications

Généralités	
Fréquence de la porteuse	913,5, 914, 914,5 MHz
Canaux	Ch1, Ch2, Ch3
Modulation	stéréo FM
Transmetteur	
Alimentation	9 V CC ; adaptateur secteur fourni (AC-5901)
Entrée audio	cordon d'entrée - mini-fiche stéréo (1,5 m)/mini-prise stéréo
Impédance d'entrée	27 kΩ /50 Ω à 1 kHz
Dimensions	environ 120 × 107 × 123 mm (4 3/4 × 4 1/2 × 4 7/8 po) (l/h/p)
Masse	environ 192 g (6,8 oz)
Système d'enceinte	
Système acoustique	gamme étendue, Bass reflex, dotée d'un bouclier magnétique
Enceinte	57 mm (diamètre)
Sortie nominale	2W
Entrée audio	mini-prise stéréo
Impédance d'entrée	5,9 kΩ à 1 kHz
Dimensions	environ 366 × 120 × 86 mm (14 3/8 × 4 7/8 × 3 1/2 po) (l/h/p)
Masse	environ 905 g (31,9 oz), pile rechargeable intégrée comprise

Pile rechargeable Ni-MH intégrée

Tension	4,8 V
Capacité	700 mAh
Autonomie	environ 14 heures*
Temps de charge	environ 16 heures (de complément déchargé à complètement chargé)

* à une sortie de 5 mW + 5 mW

Accessoires fournis

Adaptateur secteur (1)

Mode d'emploi (1)

Accessoires facultatifs

Cordon de raccordement

- RK-G129 (mini-fiche stéréo ↔ fiche phono × 2, 1,5 m)
- RK-G136 (mini-fiche stéréo ↔ mini-fiche stéréo, 1,5 m)

Adaptateur de fiche

- PC-236MS (mini prise stéréo ↔ mini fiche mono)

La conception et les spécifications sont sujettes à modification sans préavis.

Español

ADVERTENCIA

Para reducir el riesgo de incendios o descargas eléctricas, no exponga el aparato a la lluvia ni a la humedad. Para evitar descargas eléctricas, no abra la unidad. En caso de avería, solicite los servicios de personal cualificado.

Información

Tenga en cuenta que cualquier cambio o modificación no expresamente aprobado en este manual puede anular su autoridad para utilizar este equipo.

Para clientes en EE UU, y Canadá

RECICLADO DE BATERÍAS DE NIQUEL-HIDRURO METALICO

Las baterías de níquel-hidruro metálico son reciclables. Usted podrá ayudar a conservar el medio ambiente devolviendo las baterías usadas al punto de reciclaje más cercano.

Para más información sobre el reciclado de baterías, llame al número gratuito 1-800-822-8837, o visite http://www.rbr.org/

Precaución: No utilice baterías de níquel-hidruro metálico dañadas o con fugas.

Bienvenido

Gracias por adquirir el sistema de altavoces estéreo SRS-RF930RK de Sony. Antes de poner el equipo en funcionamiento, lea cuidadosamente este manual y consérvelo para consultarlo en el futuro. Algunas de sus características son:

- Sistema inalámbrico que le permite utilizar el sistema sin las restricciones que imponen los cables de los altavoces.
- Amplio rango de recepción de la señal de hasta aproximadamente 46 m.
- Este sistema de altavoces puede alimentarse mediante la batería cargadora incorporada para que sea un sistema de altavoces inalámbrico perfecto.
- Sistema de carga de la batería inteligente en el transmisor.
- Altavoz de tipo estéreo de caja única que permite un transporte y una instalación sencillos en cualquier habitación o lugar.
- 2 entradas en el transmisor que permiten conectar la computadora y otros equipos de audio.
- 1 entrada analógica en la unidad principal que permite conectar directamente otro equipo de audio portátil.
- Función de sintonización manual disponible en el altavoz.

Notas sobre el desempeño de la recepción

El sistema de este equipo emplea señales de frecuencia muy alta en la banda de los 900 MHz de modo que el desempeño de la recepción puede verse afectado por el entorno. El ejemplo siguiente ilustra las condiciones que pueden reducir el rango de recepción posible o provocar interferencia con la recepción.

- Dentro de una edificación con muros que contengan vigas de acero.
- Área con muchos archivadores de acero y objetos similares.
- Área con muchos aparatos eléctricos capaces de generar ruido electromagnético.
- Transmisor ubicado sobre un instrumento metálico.
- Área orientada hacia la calle.
- Hay ruido o señales de interferencia en el entorno debido a receptores-transmisores en camiones o elementos similares.
- Hay ruido o señales de interferencia en el entorno debido a sistemas de comunicación inalámbrica instalados en calles o carreteras.
- Transmisor colocado directamente sobre el piso.
- Se recomienda colocar losajos del suelo, por ejemplo en un escritorio.

Procedimientos iniciales

Desembalaje

Compruebe que dispone de los siguientes elementos:

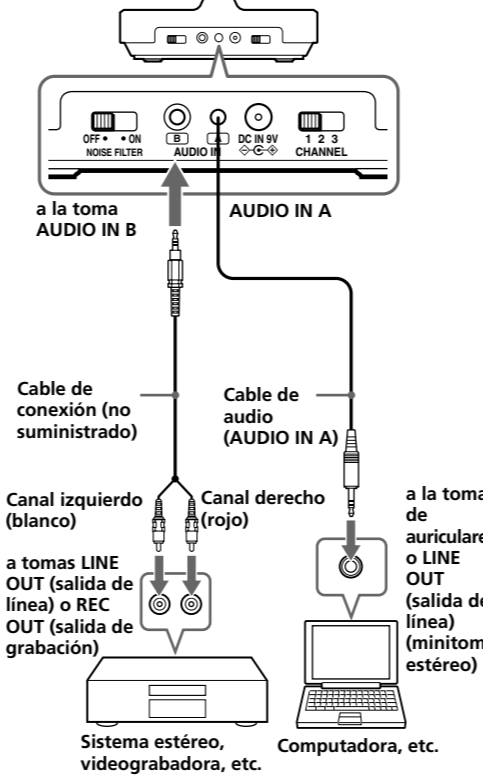
- Sistema de altavoces
- Transmisor
- Adaptador de alimentación de ca

Conexión del sistema

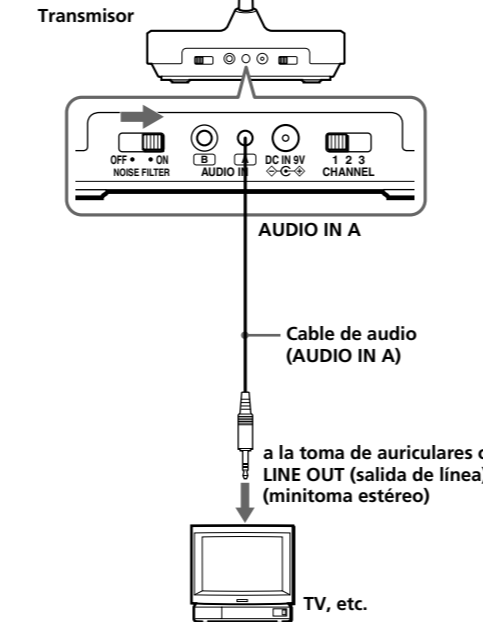
Conexión del transmisor a un equipo de audio o vídeo

Instale el transmisor siguiendo los pasos que se enumeran a continuación. Seleccione el tipo de instalación en función del tipo de tomas del equipo de audio o vídeo al que desea conectar el transmisor.

Ⓐ Para conectar a la toma LINE OUT (salida de línea), REC OUT (salida de grabación) o de auriculares.

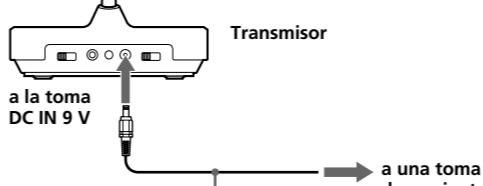


Ⓑ Para conectar al televisor, etc. Si se presenta ruido cuando el transmisor esté conectado a la toma de auriculares de su televisor o videograbadora, coloque el interruptor NOISE FILTER (filtro de ruido) en ON (encendido).



- Notas**
- Si conecta el transmisor a las tomas LINE OUT o REC OUT, no encienda el interruptor NOISE FILTER. Si lo hace, el volumen se verá limitado.
 - El interruptor NOISE FILTER sólo es efectivo en caso de realizar la conexión mediante la toma AUDIO IN A.
 - Es posible que el transmisor reciba ruido si se coloca encima de un televisor o cerca de él. En tal caso, coloque el transmisor lejos del televisor.
 - Si conecta el cable de conexión directamente a una toma de auriculares, la señal de audio no saldrá por el al canal derecho. En tal caso, utilice el adaptador de clavijas PC-236MS, que se vende por separado.
 - Si el equipo conectado tiene la función AVLS (sistema automático de limitación de volumen), asegúrese de desactivarla cuando esté utilizando el transmisor. Si no lo hace, deberá subir el volumen del sistema de altavoces, y eso puede ocasionar que se presente ruido.
 - Si el equipo conectado tiene funciones BASS BOOST o MEGA BASS, asegúrese de desactivarlas cuando esté utilizando el transmisor. Si no lo hace, el sonido del sistema de altavoces puede distorsionarse.
 - No coloque el transmisor cerca de una lámpara fluorescente o elemento similar cuando esté utilizando el sistema.

Conexión del transmisor a una toma de ca mediante el adaptador de ca suministrado



Adaptador de alimentación de ca (suministrado: AC-5901)

Nota
Utilice únicamente el adaptador de alimentación de ca suministrado. No utilice ningún otro adaptador de alimentación de ca para evitar dañar el transmisor.



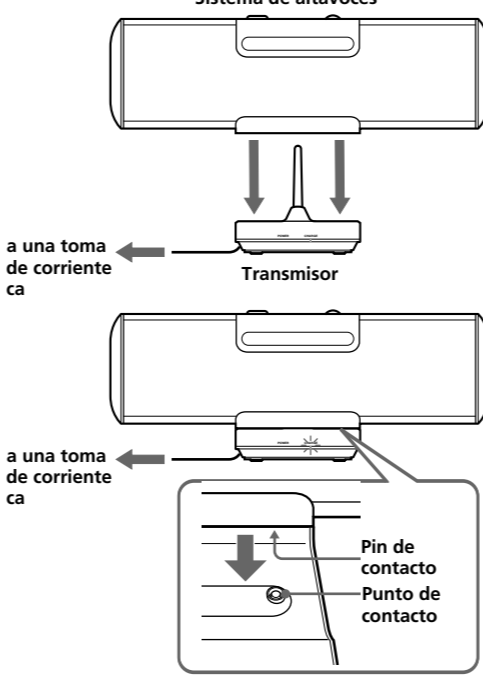
Nota

Si el indicador POWER del sistema de altavoces no se ilumina o si se apaga repentinamente, cargue la batería cargadora.

- No coloque el transmisor y el sistema de altavoces cerca de ningún instrumento de metal. De lo contrario, es posible que el rango de recepción desde el transmisor se reduzca.

Carga de la batería del sistema de altavoces

Coloque el sistema de altavoces en el transmisor para que los pines de contacto del mismo encajen en los puntos de contacto del transmisor mientras comprueba si el indicador CHARGE se ilumina en verde.



Notas

- Mientras se carga la batería, apague el sistema de altavoces.
- La carga se completa en aproximadamente 16 horas y el indicador CHARGE se apaga.
- Realice la carga de la batería en un rango de temperaturas de 0 °C a 35 °C.
- No encienda el sistema de altavoces durante la carga de la batería rechargeable ya que, de lo contrario, ésta no se cargará completamente.
- No retire el sistema de altavoces del transmisor hasta que finalice la carga.
- Si retira el sistema de altavoces del transmisor y lo sustituye, la carga se demorará más tiempo.
- Si retira el sistema de altavoces del transmisor accidentalmente y vuelva a colocarlo antes de que transcurran 5 segundos, el tiempo de carga no se verá afectado.
- Si vuelva a cargar el sistema de altavoces después de que se apague el indicador CHARGE, retirelo del transmisor y vuelva a colocarlo una vez transcurridos aproximadamente 15 segundos.
- Para prolongar la vida útil de la batería rechargeable, cárguela únicamente después de haberla agotado por completo.
- La vida útil de la batería rechargeable incorporada es de aproximadamente tres años, pero este tiempo variará en función de las condiciones de funcionamiento.

Notas

- Cuando utilice el sistema de altavoces, retirelo del transmisor.
- No utilice el sistema de altavoces durante la carga de la batería rechargeable ya que, de lo contrario, es posible que la vida útil de la batería se reduzca.

* «WALKMAN» es una marca registrada de Sony Corporation que representa los productos audíofos estéreo.

Envío de señales de radiofrecuencia desde el transmisor

El trasmisor comienza a enviar automáticamente las señales de radiofrecuencia cuando detecta las señales de audio del equipo al que está conectado. Si no detecta ninguna señal de audio durante más de cuatro minutos aproximadamente, el transmisor dejará de enviar señales de radiofrecuencia y el indicador POWER se apagará. Cuando el transmisor vuelva a recibir una señal de audio, comenzará a enviar las señales de radiofrecuencia y el indicador POWER se iluminará en rojo nuevamente.

Si la señal de audio es muy débil, el transmisor no enviará señales de radiofrecuencia. Si el transmisor está conectado a una toma de auriculares, asegúrese de que el volumen del equipo conectado esté ajustado en 5, 6 o más.

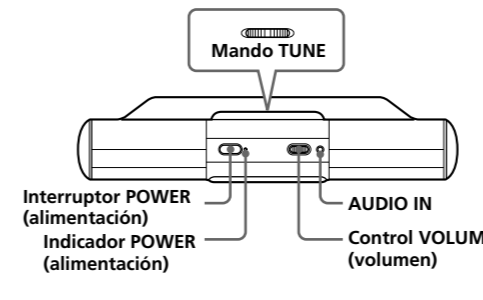
Es posible que no escuche en el sistema de altavoces el principio del sonido hasta que el transmisor empiece a enviar señales de radiofrecuencia después de detectar una señal de audio.

Utilización del sistema

Audición de un programa

Antes de utilizar el sistema de altavoces, cargue la batería rechargeable incorporada. Disminuya el volumen del sistema de altavoces antes de reproducir un programa en el equipo de audio o vídeo conectado a él.

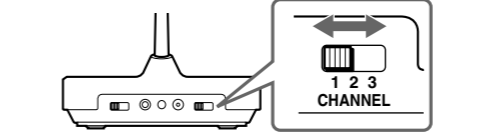
Audición de programas desde el transmisor mediante transmisión inalámbrica



1 Primero encienda el equipo de audio/vídeo e inicie la reproducción. El indicador POWER del transmisor se iluminará.

2 Encienda el sistema de altavoces. El indicador POWER del sistema de altavoces se iluminará en rojo.

3 Seleccione la frecuencia de radio con el selector CHANNEL (canal).



Nota
Si utiliza la unidad cerca de un teléfono inalámbrico, éste puede causar interferencias de radio. Si se produce una mala recepción, pruebe con otro canal mediante el selector CHANNEL (canal).

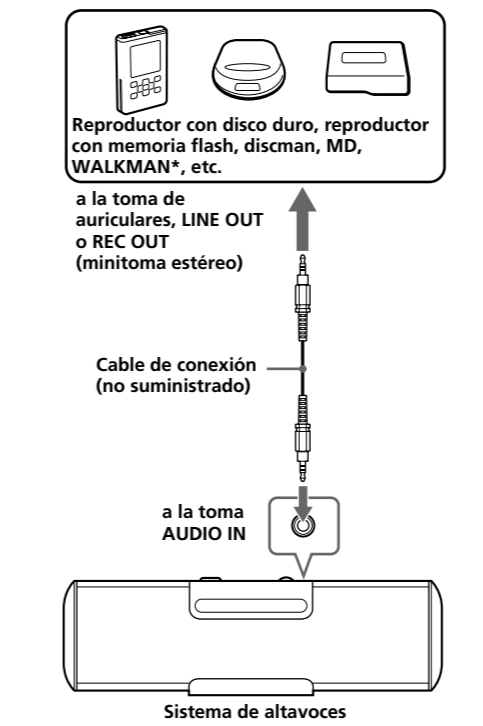
4 Utilice el mando TUNE para ajustar la sintonización del sistema de altavoces. Utilice el control VOL para ajustar el volumen.

Notas

- Si el indicador POWER del sistema de altavoces no se ilumina o si se apaga repentinamente, cargue la batería cargadora.
- No coloque el transmisor y el sistema de altavoces cerca de ningún instrumento de metal. De lo contrario, es posible que el rango de recepción desde el transmisor se reduzca.

Audición de otro dispositivo de audio conectado al sistema de altavoces

Es posible utilizar el sistema de altavoces para escuchar un CD/MD WALKMAN, etc., si lo conecta a la toma AUDIO IN mediante el cable de conexión RK-G136 que se vende por separado.



Notas

- Cuando utilice el sistema de altavoces, retirelo del transmisor.
- No utilice el sistema de altavoces durante la carga de la batería rechargeable ya que, de lo contrario, es posible que la vida útil de la batería se reduzca.

* «WALKMAN» es una marca registrada de Sony Corporation que representa los productos audíofos estéreo.

Envío de señales de radiofrecuencia desde el transmisor

El trasmisor comienza a enviar automáticamente las señales de radiofrecuencia cuando detecta las señales de audio del equipo al que está conectado. Si no detecta ninguna señal de audio durante más de cuatro minutos aproximadamente, el transmisor dejará de enviar señales de radiofrecuencia y el indicador POWER se apagará. Cuando el transmisor vuelva a recibir una señal de audio, comenzará a enviar las señales de radiofrecuencia y el indicador POWER se iluminará en rojo nuevamente.

Si la señal de audio es muy débil, el transmisor no enviará señales de radiofrecuencia. Si el transmisor está conectado a una toma de auriculares, asegúrese de que el volumen del equipo conectado esté ajustado en 5, 6 o más.

Es posible que no escuche en el sistema de altavoces el principio del sonido hasta que el transmisor empiece a enviar señales de radiofrecuencia después de detectar una señal de audio.

Notas

- Si el transmisor está conectado a la toma de auriculares del equipo de sonido, ajuste