

**SONY**

3-800-820-21 (1)

# **Active Speaker System**

---

## **Operating Instructions**

Before operating the unit, please read this manual thoroughly and retain it for future reference.

**SRS-T50PC**

Sony Corporation © 1995 Printed in Japan

---

## **Owner's Record**

The model number is located on the right side of the unit and the serial number is located inside the battery compartment. Record the serial number in the space provided below. Refer to them whenever you call upon your Sony dealer regarding this product.

Model No. SRS-T50PC

Serial No. \_\_\_\_\_

---

## **WARNING**

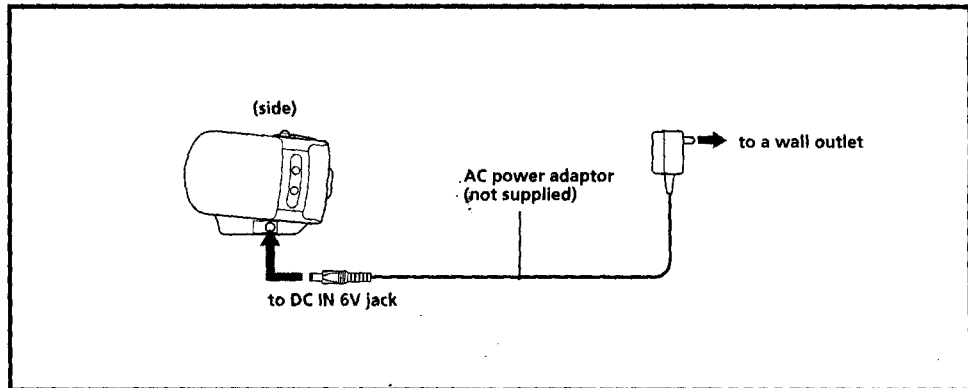
**To prevent fire or shock hazard, do not expose the unit to rain or moisture.**

To avoid electrical shock, do not open the cabinet.  
Refer servicing to qualified personnel only.

---

## Power Sources

### Using on house current

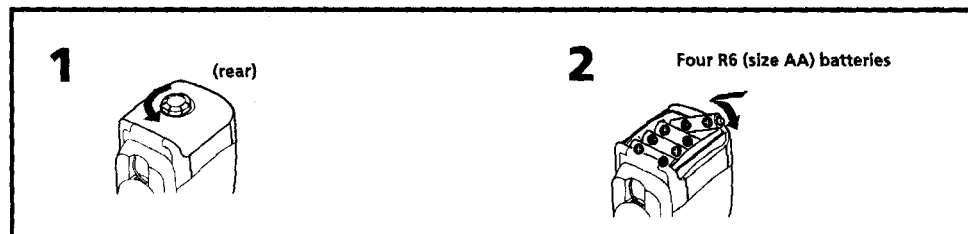


When the AC power adaptor is connected to the system, internal batteries are automatically disconnected.

**Note on the AC power adaptor**  
Use only the AC power adaptor AC-E60HG (not supplied). Do not use any other AC power adaptor.



### Battery installation



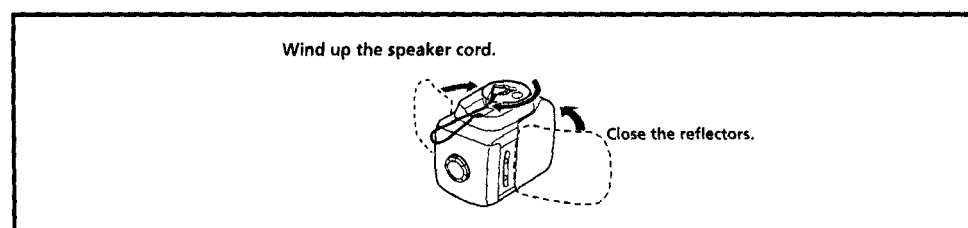
#### Battery Replacement

When the batteries are weak, the POWER indicator will start flickering and become faint, or the playback sound will be distorted or unstable.

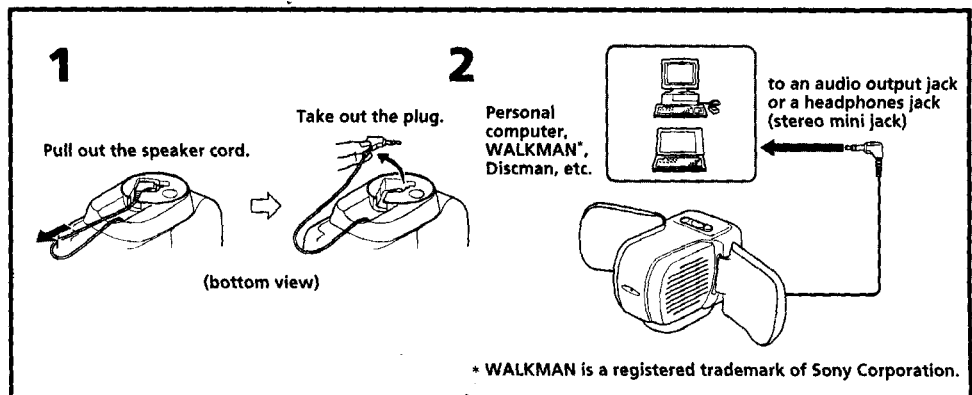
In such a case, replace all the batteries with new ones. For battery life, see "Specifications".

---

## To Carry the System



## Connections



### Connect the system to the source equipment.

The cord length can be extended to 1.5 m with the supplied connecting cord.

If your personal computer does not have audio output jacks, you will have to install a sound board, etc. Consult qualified personnel for details.

### To connect to a stereo phone-type headphones jack,

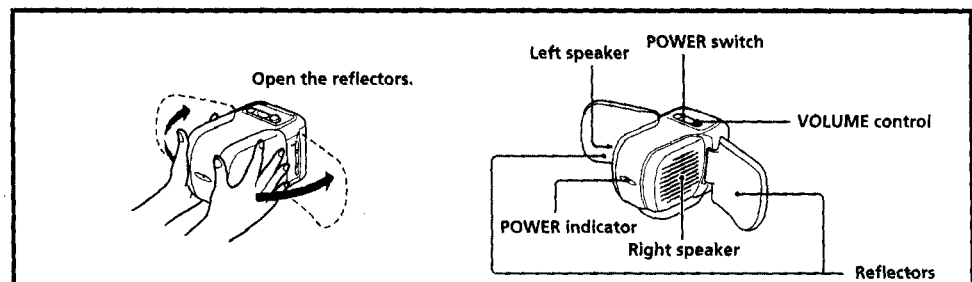
use the optional PC-234HG plug adaptor or RK-G138HG connecting cord.

### When the system is connected to a monaural jack of a radio, etc.,

the sound may not come through the right speaker. In such a case, use the optional Sony plug adaptor PC-236HG.

The sound will come through both speakers.

## How to Use



- 1** Open the reflectors by applying pressure with your thumbs on the front sides as shown in the illustration.
- 2** Set the POWER switch to ON or OFF/DIRECT.

### To listen to the sound through the built-in amplifier,

set the POWER switch to ON. The POWER indicator lights up. Adjust the VOLUME control.

### To listen to the sound without the built-in amplifier,

set the POWER switch to OFF/DIRECT. Adjust the volume with the connected equipment such as a personal computer, WALKMAN, Discman, etc.

### After listening,

set the POWER switch to OFF/DIRECT. The POWER indicator goes off.

Turn off the WALKMAN's MEGA BASS or Discman's BASS BOOST function as they may cause sound distortion.

## Precautions

- Operate the system only on 6 V DC.  
For AC operation, use only the AC power adaptor AC-E60HG (not supplied). Do not use any other AC power adaptor.
- After operating the system with the AC power adaptor, disconnect the AC power adaptor from the wall outlet if the system is not to be used for an extended period of time. The POWER switch on the system does not turn the AC power adaptor off.
- If the system is not to be used for a long period of time or is to be operated extensively on AC power, remove the batteries to avoid damage caused by battery leakage and corrosion.
- Do not open the cabinet. Refer servicing to qualified personnel only.
- Do not leave the system in a location near heat sources, or in a place subject to direct sunlight, excessive dust, moisture, rain or mechanical shock.
- Should any solid object or liquid fall into the system, remove the batteries and have the system checked by qualified personnel before operating it any further.
- Do not use alcohol, benzene or thinner to clean the cabinet.
- Although this system is magnetically shielded, do not leave recorded tapes, watches, personal credit cards or floppy disks using magnetic coding in front of the system for an extended period of time.

### If the TV picture or monitor display is magnetically distorted

Although this system is magnetically shielded, there may be cases that the picture on some TV sets/personal computer sets may become magnetically distorted. In such a case, turn off the power of the TV set/personal computer set once, and after 15 to 30 minutes turn it on again. For the personal computer set, take the appropriate measures such as data storage before turning it off.

### When there seems to be no improvement,

locate the system further away from the TV set/personal computer set. Furthermore, be sure not to place objects in which magnets are attached or used near the TV set/personal computer set, such as audio racks, TV stands, toys etc. These may cause magnetic distortion to the picture due to their interaction with the system.

If you have any questions or problems concerning your system that are not covered in this manual, please consult your nearest Sony dealer.

## Specifications

### Amplifier section

Power output	2 W + 2 W
Input	Speaker cord equipped with stereo mini plug (0.5 m)
Input impedance	1.7 kilohms (at 1 kHz)

### Speaker section

System	Full-range (magnetically shielded), ø 65 mm (2 5/8 in.)
Nominal impedance	8 ohms (OFF/DIRECT)
Rated input power	2 W (OFF/DIRECT)

### General

Power requirement	DC 6 V, four size AA (R6) batteries
Battery life (at 5 mW + 5 mW output)	Approx. 10 hours with Sony batteries R6P Approx. 23 hours with Sony alkaline batteries LR6

Dimensions	Approx. 77 x 101 x 142 mm (3 x 4 x 5 5/8 in.) closing the reflectors (w/h/d) Approx. 225 x 101 x 142 mm (8 7/8 x 4 x 5 5/8 in.) opening the reflectors (w/h/d)
Mass	Approx. 680 g (1 lb. 8 oz.) not incl. batteries Approx. 760 g (1 lb. 11 oz.) incl. batteries
Cord length	0.5 m
Supplied accessory	Connecting cord (1)
Optional accessories	AC power adaptor AC-E60HG Plug adaptor PC-236HG, PC-234HG Connecting cord RK-G138HG

Design and specifications are subject to change without notice.