

Speaker System

SS-CR62

(SS-CN62/SS-U31)

Operating Instructions

Before operating the speaker system, please read this manual thoroughly and retain it for future reference.

Precautions

- As the units are precisely made, do not attempt to open the enclosure or modify the speaker units.
- Do not connect to an amplifier which provides a rated output of more than Maximum input power. Should the speakers have to be connected to such an amplifier, be careful in setting the volume control of the amplifier.
- Set the volume control to the minimum position each time you turn your amplifier on or off.
- To maintain the new condition of your speaker system, periodically wipe the cabinet with a soft cloth. Do not use any type of scouring powder, abrasive pad or solvent.
- Avoid installing the speakers in the following locations.
 - In a place subject to high temperature or direct sunlight
 - In a humid place
 - Near a heating apparatus
- Avoid supplying the following signals for a long period of time.
 - FM interstation noise
 - Continuous high-frequency signals of electronic instruments
 - High-frequency signals in the fast forward and rewind modes of tape recorder
- The front grilles cannot be removed from the unit.

In case color irregularity is observed on nearby TV screen

With the anti-magnetism design of the unit, the speakers can be installed near a TV set. However, color irregularity may still be observed on the TV screen depending on the type of your TV set.

If color irregularity is observed...

Turn off the TV set once, then turn it on after 15 to 30 minutes.

If color irregularity is observed again...

Place the unit more apart from the TV set.

If it still persists...

Check that there is no other source of magnetism* near the TV set. Any other source of magnetism can cause color irregularity due to an interaction with the speaker.

* Examples of source of magnetism...Rack, magnets attached to secure the doors of the TV stand, health tools, magnets used with a toy, etc.

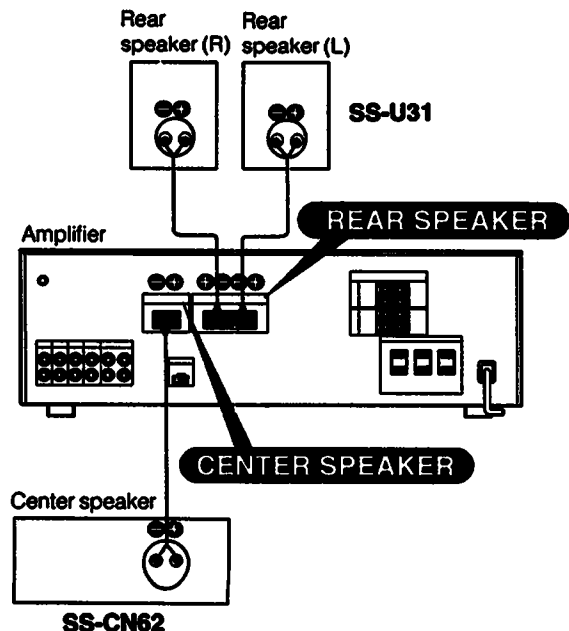
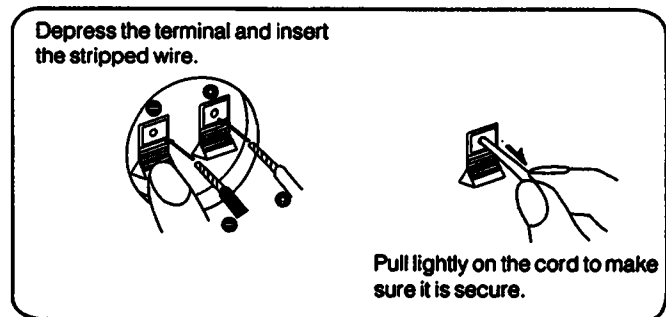
Connection to the Amplifier

Before making the speaker connections, be sure to turn off the amplifier or surround processor and unplug the power cord.

Connect the speaker cords as follows:

Connect each speaker to the appropriate speaker terminals of the amplifier, i.e., right speaker to the right terminals of the amplifier and left speaker to the left terminals.

The \oplus input terminal of the speaker system should be connected to the \oplus terminal of the amplifier, and the \ominus terminal to the \ominus terminal.



Specifications

SS-CN62

Speaker system	Full range
Speaker unit	12 cm (4 ³ / ₄ inches) cone type
Enclosure type	Acoustic suspension
Rated impedance	4 ohms
Maximum input power	60 W
Dimensions	Approx. 430 x 150 x 155 mm (17 x 6 x 6 ¹ / ₈ inches) (w/h/d) including front grille
Weight	Approx. 2.4 kg (5 lb 5 oz)
Magnetically shielded type	

SS-U31

Speaker system	Full range
Speaker unit	12 cm (4 ³ / ₄ inches) cone type
Enclosure type	Acoustic suspension
Rated impedance	8 ohms
Maximum input power	30 W
Dimensions	Approx. 210 x 150 x 148 mm (8 ³ / ₈ x 6 x 5 ⁷ / ₈ inches) (w/h/d) including front grille
Weight	Approx. 1.3 kg (2 lb 14 oz)

Supplied accessories Speaker cords 3 m (10 feet) (3)
Foot (12)

Design and specifications are subject to change without notice.