

**SONY**

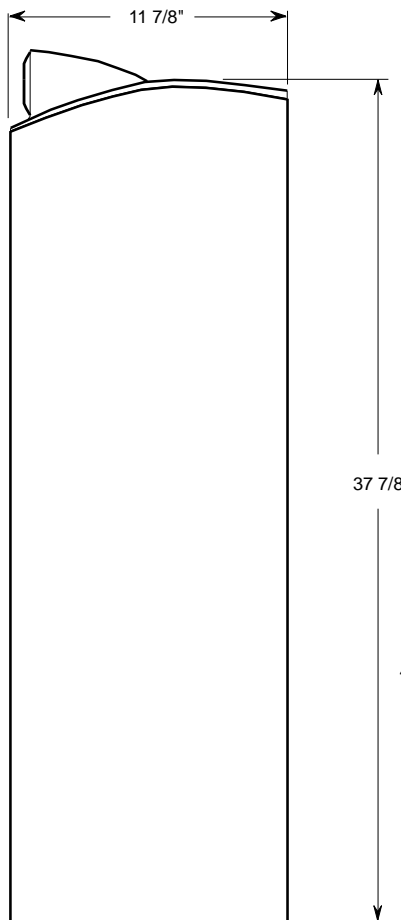
# SSX90ED

DESCRIPTION: ES High End Speaker System  
DIMENSIONS (WHD): 10 1/4" x 39" x 11 7/8"  
WEIGHT: 70 lbs 8 oz

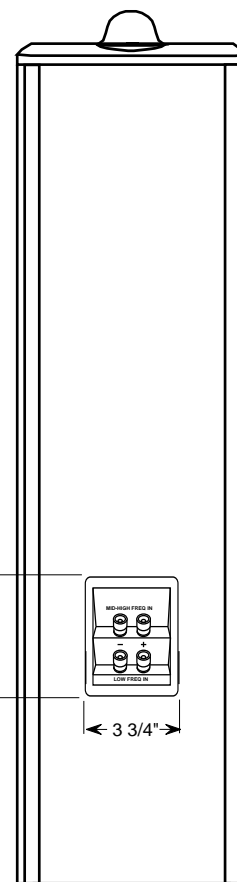
POWER REQUIREMENTS: N/A  
POWER HANDLING: 100W@8ohms  
200W Max



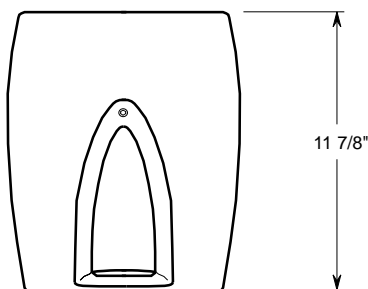
**FRONT VIEW**



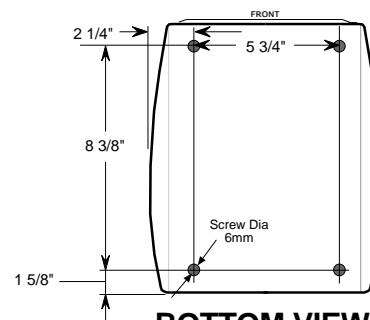
**SIDE VIEW**



**BACKVIEW**



**TOP VIEW**



**BOTTOM VIEW**

Speaker Grill Not Shown!

NOTE :  
WHERE THERE ARE CLOSE TOLERANCES INVOLVED IN CABINET BUILDING OR APPLICATIONS WHICH REQUIRE A GREAT DEGREE OF PRECISION WE RECOMMEND THAT THE PRODUCT ITSELF BE USED TO MAKE THE ACTUAL MEASUREMENTS. SONY WILL NOT BE RESPONSIBLE FOR INACCURACIES IN THE DESIGN OR MANUFACTURE OF ENCLOSURES .