

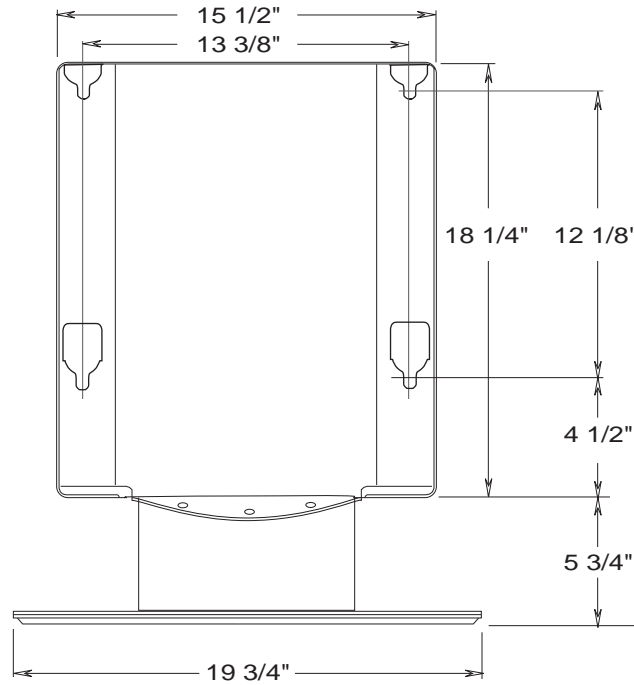
SONY

SU-P42T2

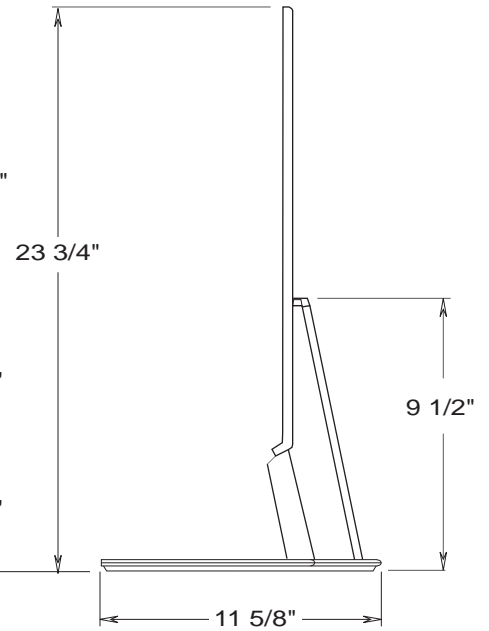
DESCRIPTION: Plasma Table
Stand
DIMENSIONS
(WHD): 19 3/4" x 23 3/4" x 11 5/8"
WEIGHT: Approx 35 lbs

POWER
REQUIREMENTS: N/A
POWER
CONSUMPTION: N/A

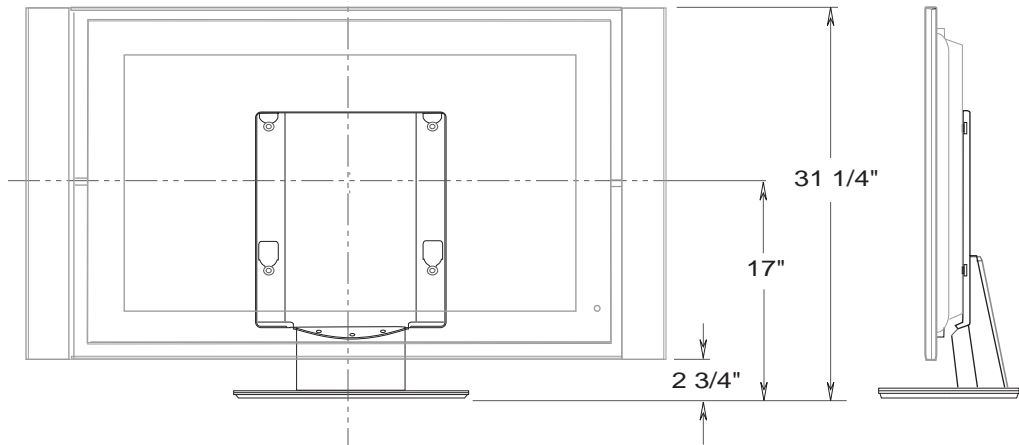
FRONT VIEW



SIDE VIEW



KE-42XBR900/KDE-42XBR950



NOTE:
WHERE THERE ARE CLOSE TOLERANCES INVOLVED IN CABINET BUILDING OR APPLICATIONS WHICH REQUIRE A GREAT DEGREE OF PRECISION WE RECOMMEND THAT THE PRODUCT ITSELF BE USED TO MAKE THE ACTUAL MEASUREMENTS. SONY WILL NOT BE RESPONSIBLE FOR INACCURACIES IN THE DESIGN OR MANUFACTURE OF ENCLOSURES .