

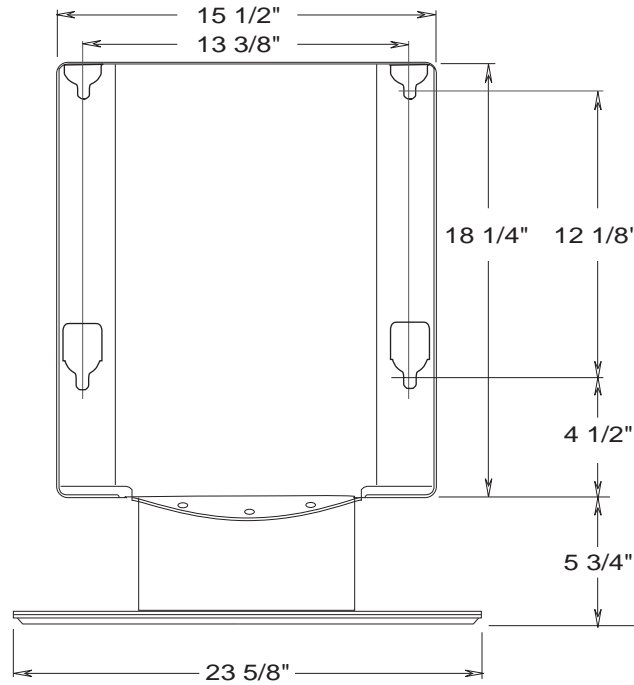
**SONY**

# SU-P50T2

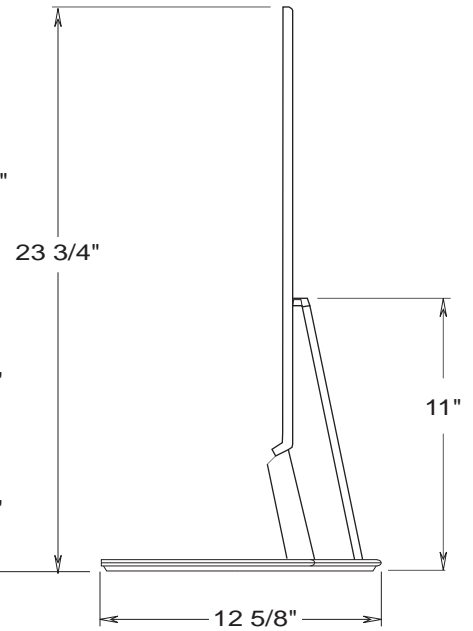
DESCRIPTION: Plasma Table  
Stand  
DIMENSIONS  
(WHD): 19 3/4 " x 23 3/4 " x 11 5/8 "  
WEIGHT: Approx 42 lbs

POWER  
REQUIREMENTS: N/A  
POWER  
CONSUMPTION: N/A

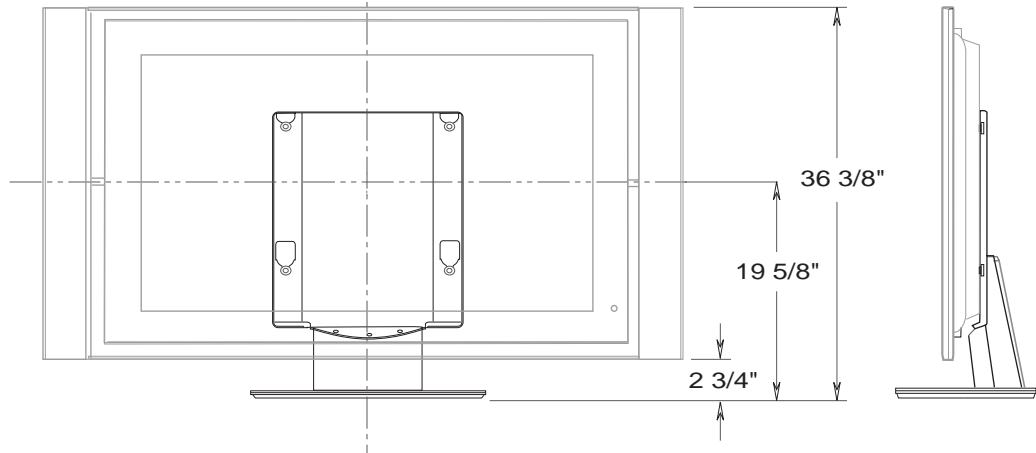
**FRONT VIEW**



**SIDE VIEW**



**KE-50XBR900/KDE-50XBR950**



NOTE:  
WHERE THERE ARE CLOSE TOLERANCES INVOLVED IN CABINET BUILDING OR APPLICATIONS WHICH REQUIRE A GREAT DEGREE OF PRECISION WE RECOMMEND THAT THE PRODUCT ITSELF BE USED TO MAKE THE ACTUAL MEASUREMENTS. SONY WILL NOT BE RESPONSIBLE FOR INACCURACIES IN THE DESIGN OR MANUFACTURE OF ENCLOSURES .