

SONY

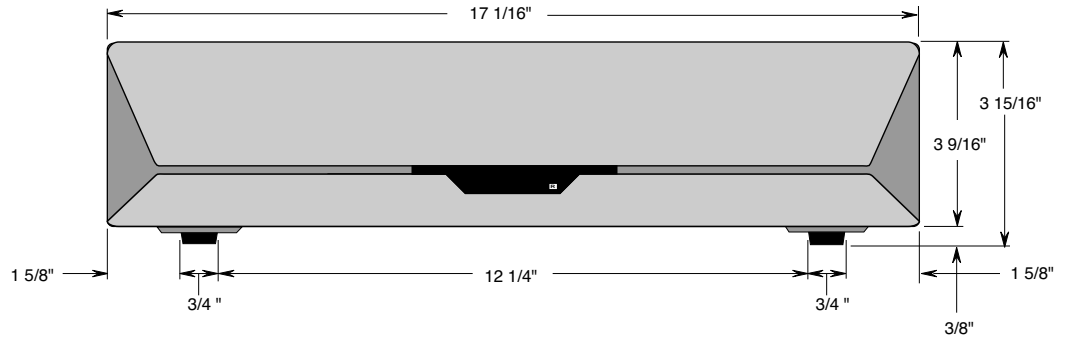
SVR-2000

DESCRIPTION: Digital Media Recorder
DIMENSIONS (WHD): 17 15/16" x 3 15/16" x 13 3/8"
WEIGHT: 9 lbs 1 oz

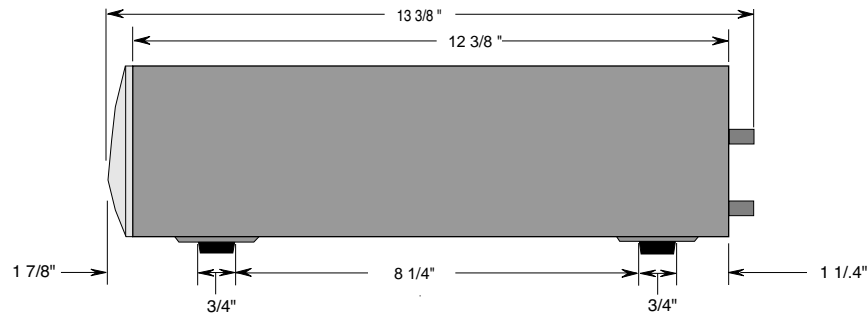
POWER REQUIREMENTS: 120V 60Hz
POWER CONSUMPTION: 40 W

RMT-V303 REMOTE CONTROL

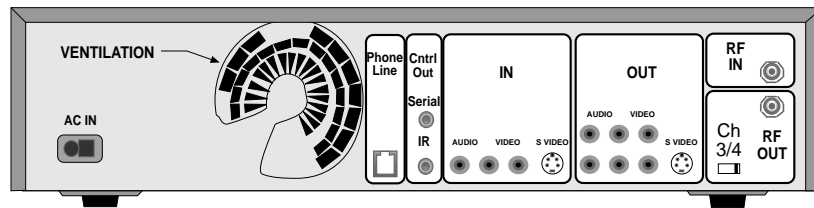
FRONT VIEW



SIDE VIEW



BACK VIEW



NOTE :
WHERE THERE ARE CLOSE TOLERANCES INVOLVED IN CABINET BUILDING OR APPLICATIONS WHICH REQUIRE A GREAT DEGREE OF PRECISION WE RECOMMEND THAT THE PRODUCT ITSELF BE USED TO MAKE THE ACTUAL MEASUREMENTS. SONY WILL NOT BE RESPONSIBLE FOR INACCURACIES IN THE DESIGN OR MANUFACTURE OF ENCLOSURES .