

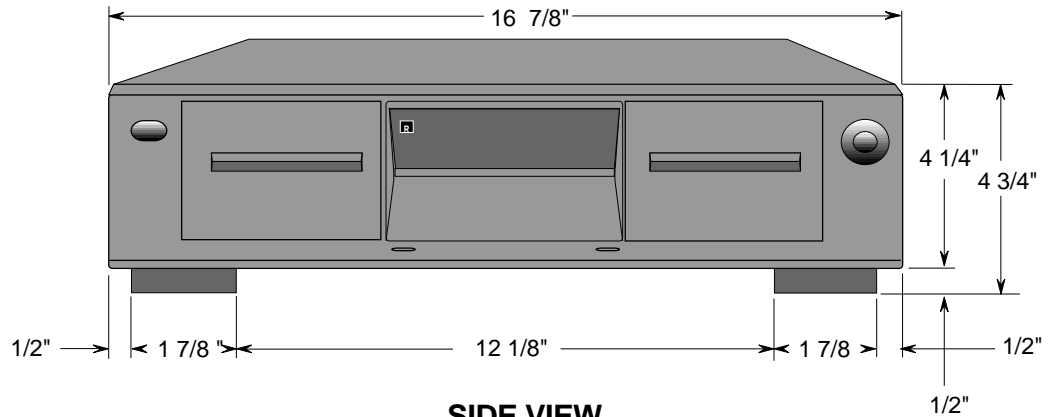
**SONY**

**TC-WE475**

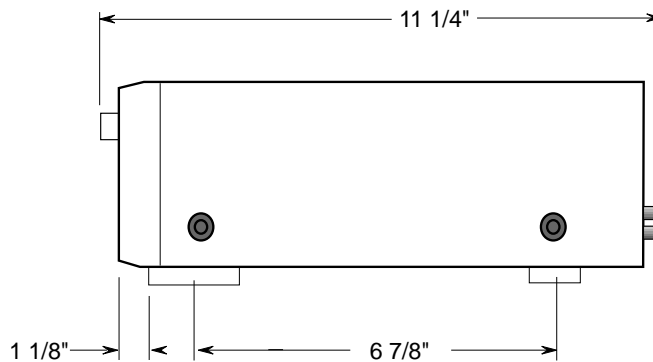
DESCRIPTION:     Dual     POWER  
DIMENSIONS     Cassette Deck     REQUIREMENTS 120VAC  
(WHD): 16 7/8" X 4 3/4" X 11 1/4" POWER 60Hz  
WEIGHT: 11 lbs CONSUMPTION: 11 Watt  
(max)

**REMOTE COMMANDER RM-J910**

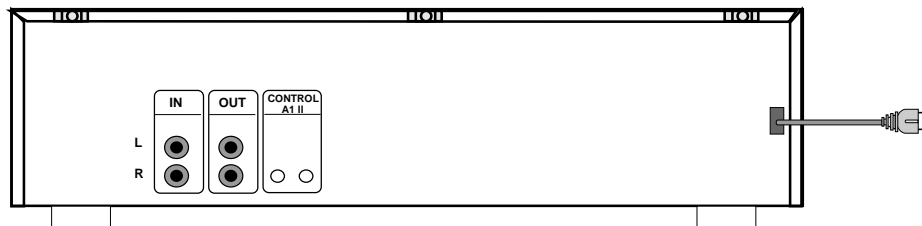
**FRONT VIEW**



**SIDE VIEW**



**BACK VIEW**



NOTE:  
WHERE THERE ARE CLOSE TOLERANCES INVOLVED IN CABINET BUILDING OR APPLICATIONS WHICH REQUIRE A GREAT DEGREE OF PRECISION WE RECOMMEND THAT THE PRODUCT ITSELF BE USED TO MAKE THE ACTUAL MEASUREMENTS. SONY WILL NOT BE RESPONSIBLE FOR INACCURACIES IN THE DESIGN OR MANUFACTURE OF ENCLOSURES .