

WM-AF605

Operating Instructions

Before operating the unit, please read this manual thoroughly and retain it for future reference.

PROPERTY OF THE
NATIONAL DEFENSE ACADEMY

Owner's Record

The model number is located at the rear and the serial number is located in the inside of the cassette holder. Record the serial number in the space provided below. Refer to them whenever you call upon your Sony dealer regarding this product.

Model No. WM-AF605 Serial No. _____

Features

- The synthesized tuner can memorize 7 stations for each FM and AM.
- Doby B NR system reduces tape hiss noise during playback.
- DBB (Dynamic Bass Boost) function for powerful mega bass sound.
- EX Amorphous head produces clear treble sound.
- Auto-reverse function changes the tape playback direction without turning the cassette over.

WARNING

To prevent fire or shock hazard, do not expose the unit to rain or moisture.

Precautions

Handling your Walkman

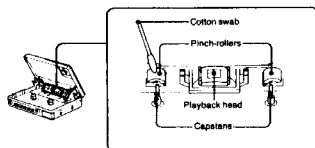
- Operate the unit only on 1.5 V DC.
- For car battery operation, use accessories recommended for this unit. Do not use any other type.
- Should any solid object or liquid fall into the unit, remove the battery and have it checked by qualified personnel before operating the unit.
- Do not leave the unit in a location near heat sources, or in a place subject to direct sunlight, excessive dust or sand, moisture, rain, mechanical shock, or in a car with its windows closed.
- If the unit has not been used for a long time, set it in the playback mode and warm it up for a few minutes before inserting a cassette.

Tip on headphone listening

- Do not listen with headphones while driving, cycling, etc.
- Listen at a moderate volume to avoid damaging your ears and to avoid disturbing those close to you.

Maintenance

- Prolonged use may contaminate the tape head. If the sound becomes noisy or distorted, clean the head and tape path shown in illustration below with alcohol.
- Clean your headphone plug periodically for optimum sound.
- Do not use alcohol, benzine, or thinner to clean the case.



Notes on the Radio

The digital display will become dim if you place the unit in a location which is extremely hot or cold.

- Do not place the unit in
- a place continuously subjected to direct sunlight or ultraviolet light (for example, on the seaside, etc.)
 - a temperature below 0°C or over 40°C. In a hot place, the display will be seen as 188.8, and in a cold place, the display's flickering may become slower. (However, this is not a trouble. Use the unit in a normal temperature.)
 - a damp place (for example, in a bathroom, etc.) It will cause malfunction.
 - a place subject to mechanical vibration or shock.

Note on the rechargeable battery

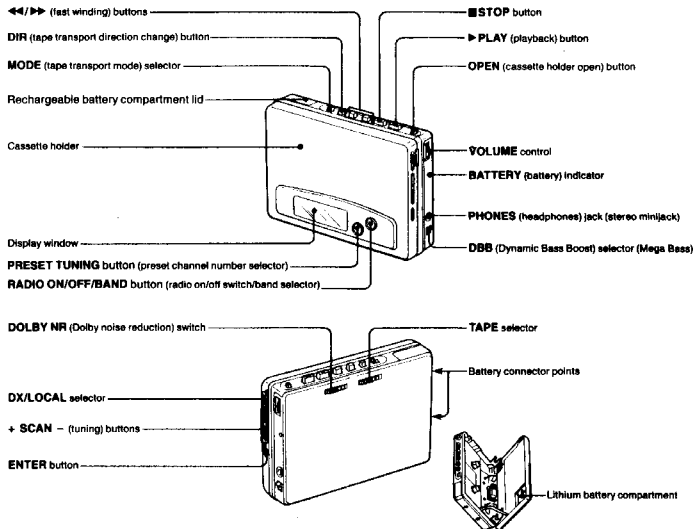
Never peel the polyvinyl covers of the rechargeable battery. It could cause short circuit.

Note on cassettes longer than 90 minutes

The use of cassettes longer than 90 minutes is not recommended except for long continuous playback.

If you have any question or problem concerning your unit that is not covered in this manual, please consult the nearest Sony dealer.

Parts Identification



Specifications

Radio section		Dimensions	Approx. 107.5 × 74.6 × 27.1 mm (w/H/D) (4 1/4 × 3 × 1 1/8 inches) not incl. projecting parts and controls
Frequency range	FM: 87.8 - 107.9 MHz AM: 530 - 1,710 kHz		Approx. 109 × 77 × 27.8 mm (w/H/D) (4 3/8 × 3 1/8 × 1 1/8 inches) incl. projecting parts and controls
Antenna	FM: Headphones cord antenna AM: Built-in ferrite bar antenna	Weight	Approx. 230 g (8.5 oz), incl. rechargeable battery, not incl. other accessories
Tape player section and general		Accessories supplied	Rechargeable battery (1) Battery charger (1) Lithium battery (1) Battery case (1) Carrying case (1) Note on the supplied carrying case After putting the unit into the supplied carrying case, be sure to fasten the belt on the case to hold the unit securely in the case.
Frequency responses (DOLBY NR off)	20 - 18,000 Hz		
Output	Headphones (PHONES jack) load impedance 8 - 300Ω		
Power output	5 mW + 5 mW at DC operation, 180		
Power requirements	1.5 V DC Rechargeable battery One size AA (RR) battery DC IN 1.5 V jack accept: • Sony DCC-70 (optional) for use with 12 V car battery		

Battery life

Battery	Playback	Radio reception
Rechargeable NC-SWM fully charged	Approx. 3 hours	Approx. 4 hours
Sony SUM-3 (NS)	Approx. 2 hours	Approx. 7.5 hours
Sony AM3 (N)	Approx. 7.5 hours	Approx. 16.5 hours
Rechargeable NC-SWM with Sony AM3 (N)	Approx. 9.5 hours	Approx. 22 hours

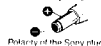
For maximum performance we recommend the use of alkaline batteries.

Design and specifications subject to change without notice.

Optional accessories
AC power adaptor AC-D1M
Car battery cord DCC-70
Lithium battery CR-2016

Your dealer may not handle these optional accessories. Please ask the dealer for detailed information.

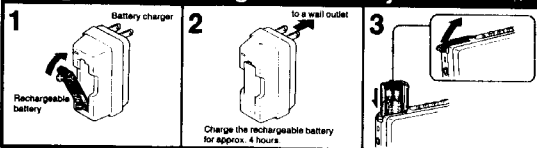
Note: Use only the recommended car battery cord manufactured by Sony. Polarity of the plug of other manufacturers may be different.



Polarity of the Sony plug

Using with a Rechargeable Battery

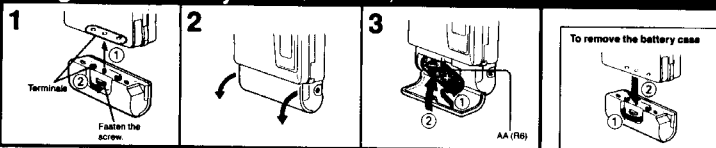
Before using, charge the rechargeable battery for approx. 4 hours with the supplied battery charger.



- Notes**
- Use only the supplied battery charger.
 - Unplug the battery charger from the wall outlet after the battery is charged. Over charging (for more than 20 hours) may damage the battery.
 - The supplied rechargeable battery can be recharged approx. 300 times.

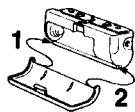
Using with a Battery

The battery case is necessary.



Note on the Battery Case

If the battery compartment lid is detached by an accidental drop, excessive force, etc., attach it as illustrated in the numbered order.



Notes

- Do not short circuit the terminal of the battery case when the battery is installed.
- Insert the battery with correct polarity.
- When the unit is not to be used for a long period of time, remove the battery to avoid damage caused by battery leakage and corrosion.

When the battery becomes weak

When the battery is weak, the BATTERY indicator will glow faintly and playback sound will be distorted or unstable. In this case, replace the battery or when using the rechargeable battery, recharge the battery.

Concerning the battery life, see "Specifications".

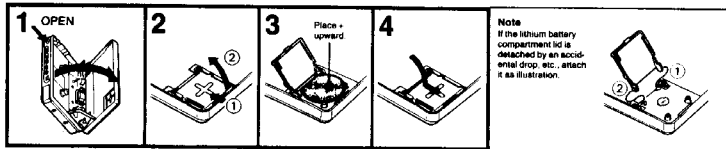
Installing a Lithium Battery

(back up for the radio memory preset)

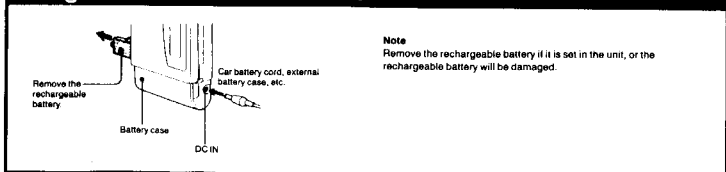
The unit can be operated without the lithium battery except radio memory preset.

When the lithium battery runs down, the memorized channels will be faded.

Preset the stations when reinstall the lithium battery again. Battery life is about a year.



Using Alternate Power Sources



Note
Remove the rechargeable battery if it is set in the unit, or the rechargeable battery will be damaged.

SONY

AUDIO TAPE RECORDER
COMPACT DISC COMPACT PLAYER

LIMITED WARRANTY

SONY CORPORATION OF AMERICA ("SONY") warrants this product against defects in material or workmanship, as follows:

1. For a period of 90 days from the date of purchase, SONY will pay the labor charges of your SONY authorized service facility to repair the defective product. After this 90-day period, you must pay for all labor charges.

2. In addition, SONY will supply, at no charge, new or rebuilt replacements for defective parts for a period of 1 year from the original date of purchase.

Labor and Parts

To obtain warranty service during the initial 90-day period, you must take the product, or deliver the product prepaid, to a SONY authorized service facility.

Parts Only

During the remainder of the warranty period, any defective part will be replaced if it is taken, or delivered prepaid, to a SONY service center. Labor for removal and installation is available from your SONY authorized service facility or SONY service center, at your expense.

This warranty does not cover cosmetic damage, and damage due to acts of God, accident, misuse, abuse or negligence to the product, including the antenna. This warranty is valid only in the United States of America.

Proof of purchase in the form of a bill of sale or receipted invoice which is evidence that the unit is within the warranty period must be presented to obtain warranty service.

This warranty is valid only if the serial number appears on the product.

REPAIR OR REPLACEMENT AS PROVIDED UNDER THIS WARRANTY IS THE EXCLUSIVE REMEDY OF THE CONSUMER. SONY SHALL NOT BE LIABLE FOR ANY INCIDENTAL OR CONSEQUENTIAL DAMAGES FOR BREACH OF ANY EXPRESS OR IMPLIED WARRANTY ON THIS PRODUCT. EXCEPT TO THE EXTENT PROHIBITED BY APPLICABLE LAW, ANY IMPLIED WARRANTY OF MERCHANTABILITY OR FITNESS FOR A PARTICULAR PURPOSE ON THIS PRODUCT IS LIMITED IN DURATION TO THE DURATION OF THIS WARRANTY.

Some states do not allow the exclusion or limitation of incidental or consequential damages, or allow limitations on how long an implied warranty lasts, so the above limitations or exclusions may not apply to you. In addition, if you enter into a service contract with the Sony Partnership within 90 days of the date of sale, the limitation on how long an implied warranty lasts does not apply to you. This warranty gives you specific legal rights, and you may also have other rights which vary from state to state.

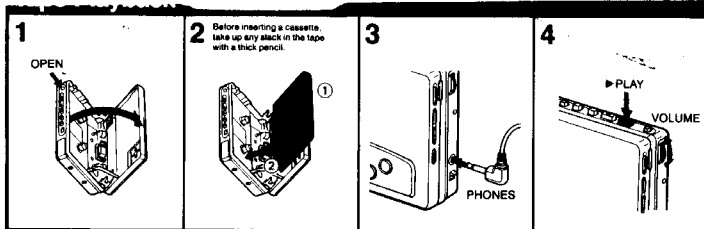
For your convenience, Sony Corporation of America has established the Customer Information Center to supply you with product or service information.

SONY CUSTOMER INFORMATION CENTER
201-930-SONY (7669)

or write to:

Sony Customer Information Center
Sony Drive, Mail Drop #M-1
Park Ridge, NJ 07656

SONY CORPORATION OF AMERICA
Sony Drive, Park Ridge, New Jersey 07656



To stop the tape, press **STOP**.
 To wind the tape rapidly, depress **◀◀** or **▶▶**.
 To listen to the other side of the cassette during playback, press **DIR**.
 After winding the tape with **◀◀** or **▶▶**, be sure to press **STOP**.

DOLBY NR

For Dolby B NR* processed tapes: set DOLBY NR to ON.

*Dolby noise reduction manufactured under license from Dolby Laboratories Licensing Corporation.

"DOLBY" and the double-D symbol are trademarks of Dolby Laboratories Licensing Corporation.

MODE
 On playback mode

To playback both sides of the cassette once, set MODE to **↔**. When the playback starts from the reverse side of the cassette, the unit will be shut off at the end of that side.

To playback both sides of the cassette repeatedly, set it to **↔**.

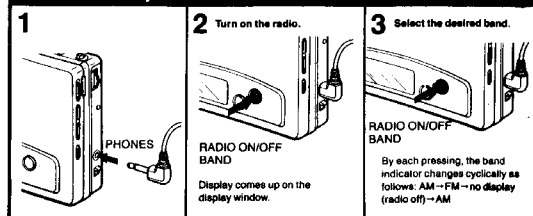
TAPE
 To get the best performance from your tape

For normal (TYPE I) tapes: set TAPE to **NORM**.
 For CrO₂ (TYPE II) or metal (TYPE IV) tapes: set it to **METAL/CrO₂**.

DBB
 To listen to heavy and powerful sound

Set the DBB (mega bass) selector to the desired position. Bass will be boosted in the order of **NORM**, **MID** and **MAX**.

Radio Reception



4 Tune in the desired station.

There are three ways to tune in.

- One step scan
 Press either of the scan buttons. Then release it immediately. With each pressing, the frequency changes as listed below with rapid beeps.

FM	0.2 MHz
AM	10 kHz

- Seeking scan
 Press either of the scan buttons for a second, then release it. The frequency goes up or down automatically and each station can be heard. When a desired station is heard, press the scan button again to stop the scanning.
- Fast scan
 Keep either of the scan buttons pressed for more than 1.5 seconds. The frequency goes up or down quickly. When it comes up to your desired station, release the button. When a desired station is heard, press the scan button again to stop the scanning.

Press to tune in a higher frequency

Press to tune in a lower frequency

5 Adjust the volume.

VOLUME

To stop the radio

Press the RADIO ON/OFF BAND button repeatedly until the band indicator disappears.

Display window

Preset number indicator

Frequency indicator

Band indicator

FM
 Since the headphone cord serves as an FM antenna, extend it for better reception.

AM
 Since the reception is affected by the direction of the unit, move the unit for optimum reception.

Notes

- *Be sure to remove the cassette tape if it has metallic cassette shell or metallic labels. Such cassettes may cause interference or difficulty in tuning.
- **When you press the tape operation buttons (**▶▶** or **◀◀**) during radio reception, the indications on the display window will disappear. The radio will be turned off and the unit will go to the tape operation mode (playback or fast-winding).

To Improve FM and AM Sensitivity

Use the **DX/LOCAL** selector.
 Normally set to **DX**. If a very strong station signal causes noise, set to **LOCAL**.
 The noise will be reduced.

DX I LOCAL

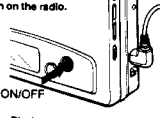
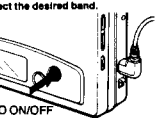
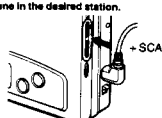
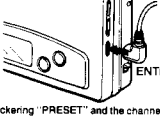

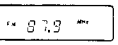
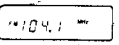
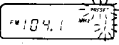
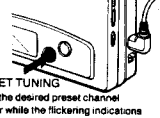
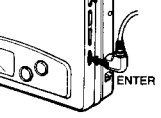
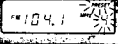
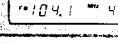
To Listen to Heavy and Powerful Radio Sound

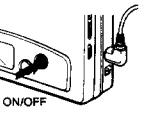
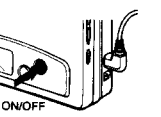
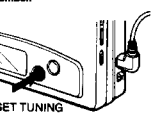

Set the **DBB** (mega bass) selector to the desired position.
 The **DBB** (mega bass) selector functions even when listening to the radio sound.

When the battery becomes weak while listening to the radio
 The display may go off and the **BATTERY** indicator may glow brightly.
 (The indicator should glow faintly when the battery becomes weak.)
 If this happens, replace or recharge the battery.

Memory Preset Tuning

Steps 4 to 6 are cancelled after about 4 seconds. Proceed the step quickly. Up to 7 stations can be memorized for each AM and FM.

<p>1 Turn on the radio.</p>  <p>RADIO ON/OFF BAND Display comes up.</p>	<p>2 Select the desired band.</p>  <p>RADIO ON/OFF BAND</p>	<p>3 Tune in the desired station.</p>  <p>+SCAN-</p>	<p>4</p>  <p>ENTER</p> <p>Flickering "PRESET" and the channel number come up in the display window.</p>
<p>Example Try to preset FM 104.1 MHz in the preset channel 4.</p> 	<p>Press the button until FM is come up in the display window.</p> 	<p>Press the + button to tune in 104.1 MHz.</p> 	<p>Flickers about 4 seconds.</p> 
<p>5</p>  <p>PRESET TUNING Select the desired preset channel number while the flickering indications are in the display.</p>	<p>6</p>  <p>ENTER</p>	<p>Repeat steps 1 to 6 for each AM and FM.</p> <p>To turn off the radio, press the RADIO ON/OFF BAND button repeatedly until the band indicator disappears.</p> <p>Note Steps 4 to 6 are cancelled in about 4 seconds after you press the corresponding buttons. If the indications stop flickering before you finish the step, repeat the step again.</p>	
<p>Press the button until the desired preset channel number comes up in the display window.</p> <p>Flickers about another 4 seconds.</p> 	<p>When you press the ENTER button, the indications will stop flickering and the station will be memorized.</p> 		

<p>1 Turn on the radio.</p>  <p>RADIO ON/OFF BAND</p>	<p>2 Select the desired band.</p>  <p>RADIO ON/OFF BAND</p>	<p>3 Select the desired preset channel number.</p>  <p>PRESET TUNING</p>	<p>4 Adjust the volume.</p>  <p>VOLUME</p> <p>To turn off the radio, press the RADIO ON/OFF BAND button repeatedly until the band indicator disappears.</p>
---	---	--	--

Sony Service Centers

Arizona Phoenix 2240 North Scottsdale Road Tempe, AZ 85281 (602) 949-7669	Hawaii Honolulu 950 Mapunapuna Street Honolulu, HI 96819 (808) 834-6622	Missouri St. Louis 12462 O Natural Bridge Road Bridgeton, MO 63044 (314) 291-2201
California Burbank (Los Angeles area) 2820 West Olive Avenue, Suite B Burbank, CA 91505 (818) 842-7669 Costa Mesa (Orange County area) 2729 Bristol Street South Costa Mesa, CA 92626 (714) 549-4833 San Bruno (San Francisco area) 751 Camino Plaza San Bruno, CA 94066 (415) 871-2810 San Diego 8975 Complex Drive San Diego, CA 92123 (619) 279-2724 San Jose 1359 Old Oakland Road San Jose, CA 95112 (408) 280-7669	Illinois Niles (Chicago N.W.) 7540 Caldwell Avenue Niles, IL 60648 (312) 647-2400 Westmont (Chicago S.W.) 6036-38 South Cass Avenue Westmont, IL 60558 (312) 969-0049	New Jersey Englewood Cliffs (N.Y. Metro. area) 41 Sylvan Avenue Englewood Cliffs, NJ 07632 (201) 585-1974 Mahwah (N.Y. Metropolitan Area) 388 Route 17 South Mahwah, NJ 07430 (201) 529-1655
Colorado Denver Havana Place Center 10740 East Iliff Avenue Aurora, CO 80014 (303) 755-7669	Kansas Kansas City 11712 West 95 Street Overland Park KS 66214 (913) 888-2622	Ohio Cleveland 6370 York Road Parma Heights, OH 44130 (216) 845-7669
Florida Fort Lauderdale 3904 North 29th Avenue Hollywood, FL 33020 (305) 920-5600	Maryland (Washington D.C.) Washington D.C. 1358 Holton Lane Langley Park, MD 20783 (301) 439-3500/1	Pennsylvania Philadelphia 10360 Drummond Road Philadelphia, PA 19154 (215) 637-0850/1 Pittsburgh Wexford Plaza 10610 Perry Highway (Rt. 19N) Wexford, PA 15090 (412) 935-8466
Georgia Atlanta 120 Interstate North Parkway East Suite 410 Atlanta, GA 30339 (404) 953-5871	Massachusetts Boston 390 University Avenue 128 Westwood Industrial Center Westwood, MA 02090 (617) 329-5130	Texas Dallas 401 Preston Valley Shopping Center Dallas, TX 75230 (214) 861-3537 Houston 5747 Richmond Avenue Houston, TX 77057 (713) 783-8761
	Michigan Detroit 24301 Indoplex Circle Farmington Hills, MI 48018 (313) 477-1900	Washington Seattle 515 South Michigan Street Seattle, WA 98108 (206) 762-6500
	Minnesota Minneapolis 4300 W. 38 1/2 Street St. Louis Park, MN 55418 (612) 920-8000	

Sony District Service Offices

Western Zone	Central Zone	Eastern Zone
Western District Sony Service Company 2729 Bristol Street South Costa Mesa, CA 92626 (714) 549-4838	Mid-West District Sony Service Company 7540 Caldwell Avenue Niles, IL 60648 (312) 647-2424	Eastern District Sony Service Company 386 Route 17 South Mahwah, NJ 07430 (201) 529-1616
Northwestern District Sony Service Company 1359 Old Oakland Road San Jose, CA 95112 (408) 280-7675	East Central District Sony Service Company 24301 Indoplex Circle Farmington Hills, MI 48018 (313) 477-4805	Mid-Atlantic District Sony Service Company 10360 Drummond Road Philadelphia, PA 19154 (215) 632-7997
Southwestern District Sony Service Company 2701 W. Airport Freeway, Suite 112 Irving, TX 75062 (214) 258-1167		Southeastern District Sony Service Company 3904 North 29th Avenue Hollywood, FL 33020 (305) 920-5858