

**SONY.**

***FM/AM  
Cassette  
Car Stereo***

---

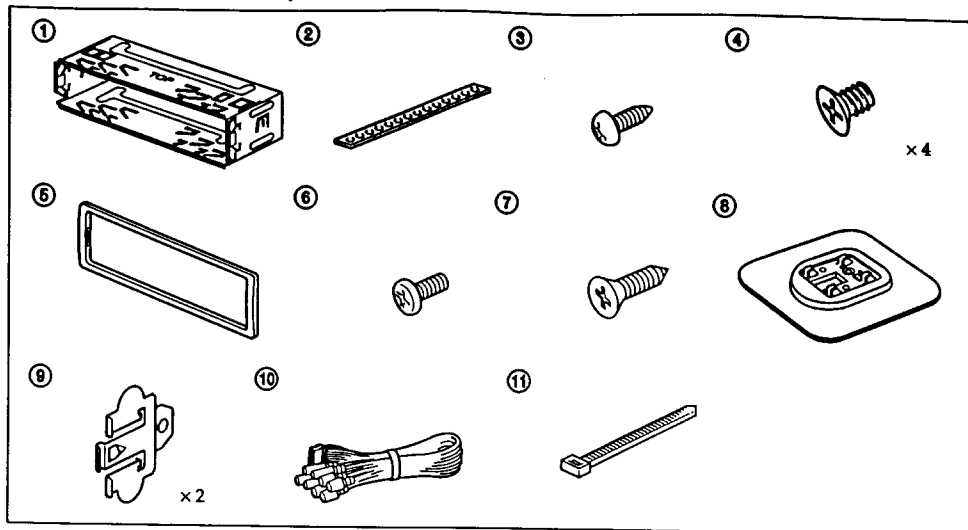
Installation/Connections

***XR-C8220***

Sony Corporation © 1999 Printed in Japan

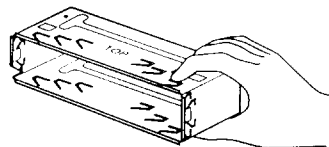
## Parts list

The numbers in the list are keyed to those in the instructions.



### Caution

Cautionary notice for handling the bracket ①.  
Handle the bracket carefully to avoid injuring your fingers.



# Connections

## Caution

- This unit is designed for negative ground 12 V DC operation only.
- Be careful not to pinch any wires between a screw and the body of the car or this unit or between any moving parts such as the seat railing, etc.
- Connect the **yellow** and **red** power input leads only after all other leads have been connected.
- Be sure to connect the red power input lead to the positive 12 V power terminal which is energized when the ignition key is in the accessory position.
- **Run all ground wires to a common ground point.**
- Connect the yellow cord to a free car circuit rated higher than the unit's fuse rating. If you connect this unit in series with other stereo components, the car circuit they are connected to must be rated higher than the sum of the individual component's fuse rating. If there are no car circuits rated as high as the unit's fuse rating, connect the unit directly to the battery. If no car circuits are available for connecting this unit, connect the unit to a car circuit rated higher than the unit's fuse rating in such a way that if the unit blows its fuse, no other circuits will be cut off.

## Reset Button

When the installation and connections are complete, be sure to press the reset button with a ball-point pen etc.



## Notes of connection example

### Notes on the control leads

- The power antenna control lead (blue) supplies +12 V DC when you turn on the tuner or when you activate the ATA (Automatic Tuner Activation) Function.
- A power antenna without relay box cannot be used with this unit.

### Memory hold connection

When the yellow power input lead is connected, power will always be supplied to the memory circuit even when the ignition key is turned off.

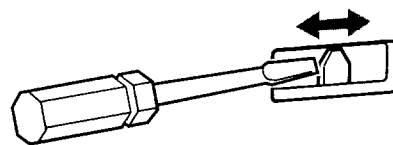
## If your car has no accessory position on the ignition key switch

### — POWER SELECT switch

The front panel illumination is factory-set to be turned on even when the unit is not being played. However, this setting may cause some car battery wear if your car has no accessory position on the ignition key switch. To avoid this battery wear, set the **POWER SELECT** switch located on the bottom of the unit to the **ⓐ** position, then press the reset button. The illumination is reset to stay off while the unit is not being played.

### Notes

- The caution alarm for the front panel is not activated when the **POWER SELECT** switch is set to the **ⓐ** position.
- Do not use excessive force when changing the **POWER SELECT** switch.



## Inverter

### Cautions

- Install the inverter far away from the unit using double-side adhesive tape or something similar.
- Be sure not to mount the inverter under a mat or in a place exposed to splashing water of air conditioner. It may cause electric shock or damage to the unit.

### Note

If the inverter's cord is pinched, the display indications may not appear.

### Notes on speaker connection

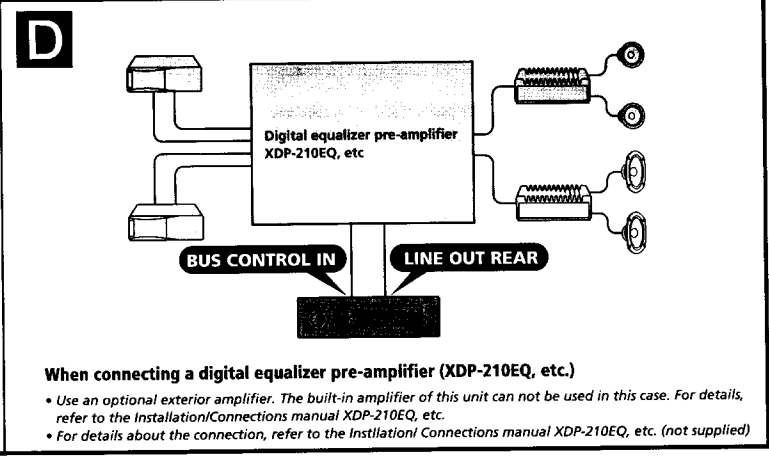
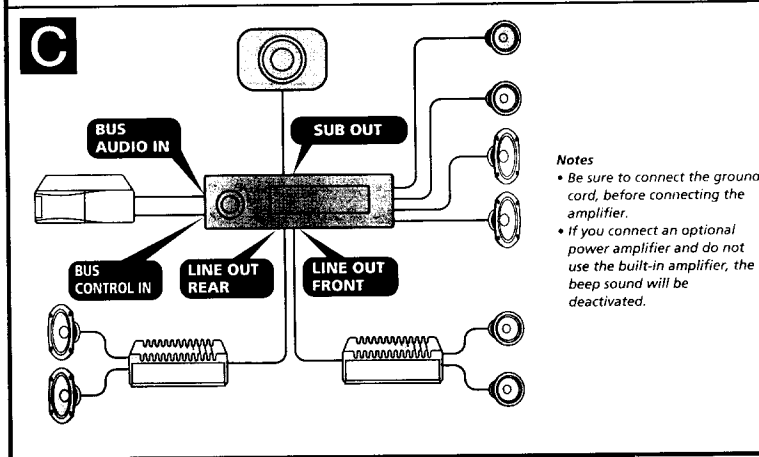
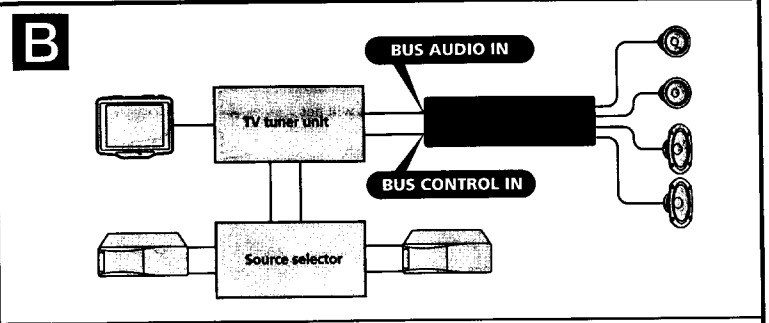
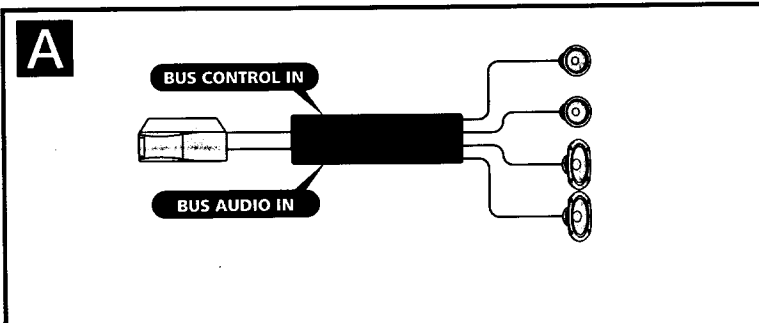
- Before connecting the speakers, turn the unit off.
- Use speakers with an impedance of 4 to 8 ohms, and with adequate power handling capacities. Otherwise, the speakers may be damaged.
- Do not connect the terminals of the speaker system to the car chassis, and do not connect the terminals of the right speaker with those of the left speaker.
- Do not attempt to connect the speakers in parallel.
- Do not connect any active speakers (with built-in amplifiers) to the speaker terminals of the unit. Doing so may damage the active speakers. Therefore, be sure to connect passive speakers to these terminals.

# Connection diagram

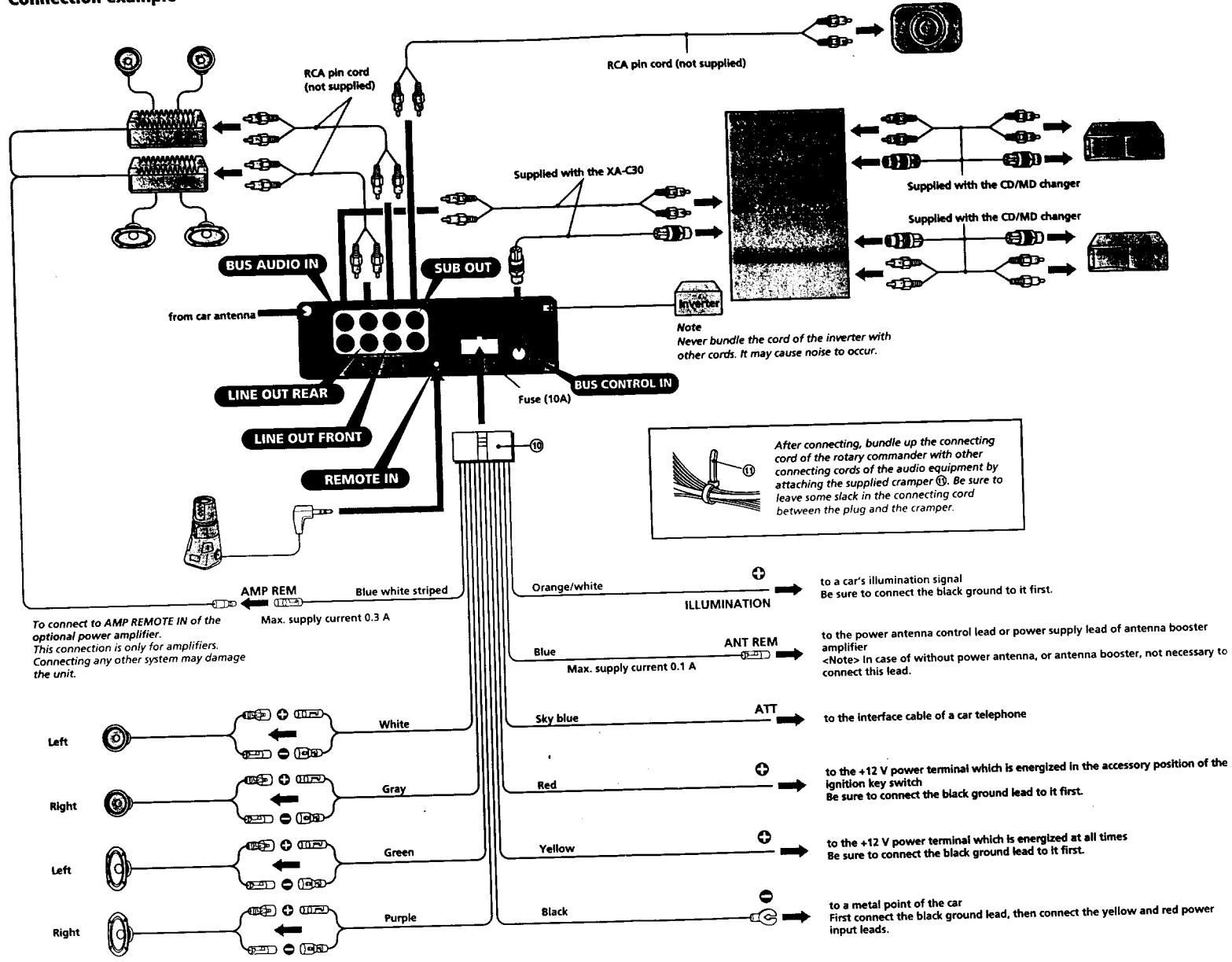
Equipment used in illustrations (not supplied)



**Note**  
For connecting two or more changers, the source selector XA-C30 (optional) is necessary.



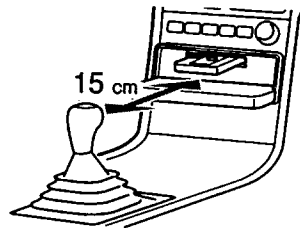
**Connection example**



# Installation

## Precautions

- Do not tamper with the four holes on the upper surface of the unit. They are for tuner adjustments to be done only by service technicians.
- If you mount other Sony equipment with this unit, it is better to mount this unit in the lower position.
- There must be a distance of at least 15 cm between the cassette slot of the unit and shift lever to insert cassette easily. Choose the installation location carefully so the unit does not interfere with gear shifting and other driving operations.
- Choose the installation location carefully so that the unit will not hamper the driver during driving.
- Avoid installing the unit where it would be subject to high temperatures, such as from direct sunlight or hot air from the heater, or where it would be subject to dust, dirt or excessive vibration.
- Use only the supplied mounting hardware for a safe and secure installation.



## Mounting angle adjustment

Adjust the mounting angle to less than 20°.

## How to detach and attach the front panel

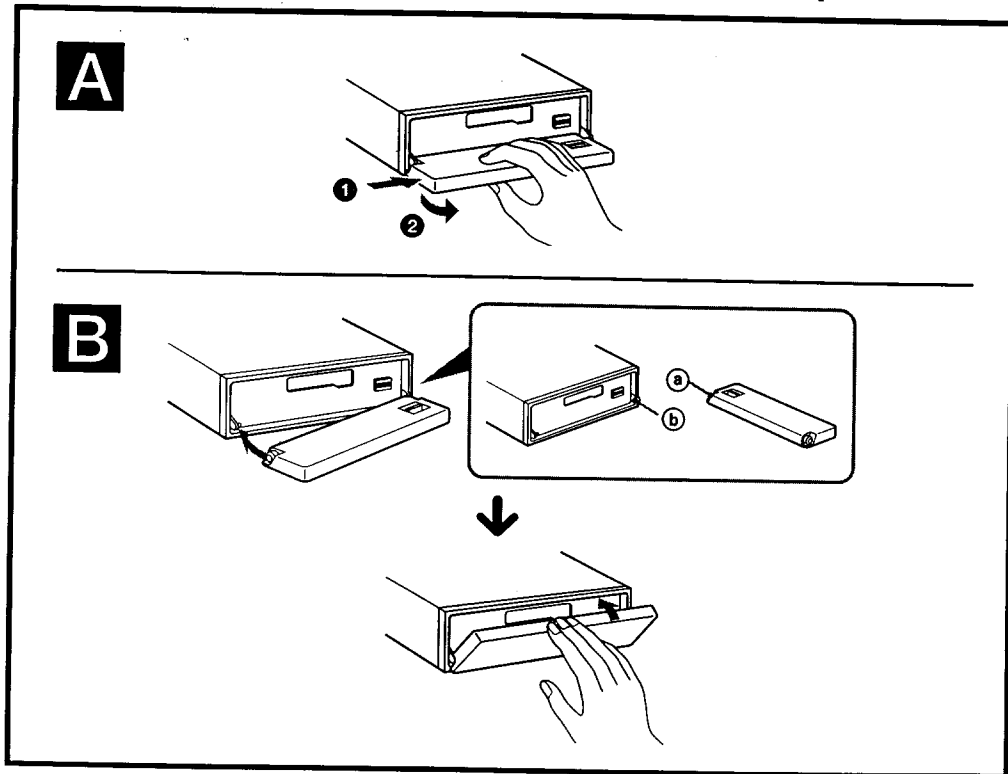
Before installing the unit, detach the front panel.

### A To detach

Before detaching the front panel, be sure to press **OFF**. Press **OPEN**, then slide the front panel to the right side, and pull out the left side.

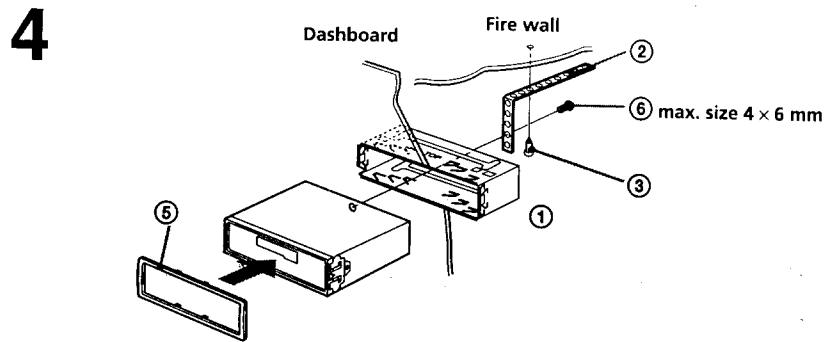
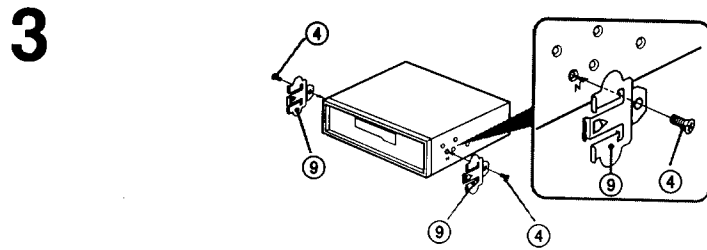
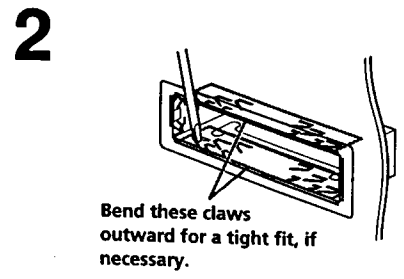
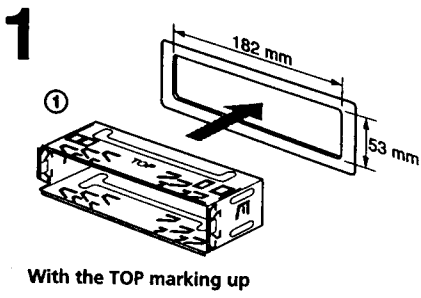
### B To attach

Place the hole **a** in the front panel onto the spindle **b** on the unit as illustrated, then push the left side in.



# Mounting example

## Installation in the dashboard

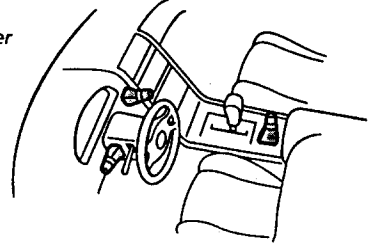


## Installing the rotary commander

### Example of a mounting location

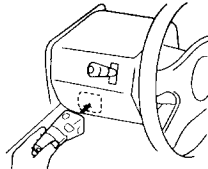
#### Notes

- Choose the mounting location carefully so that the rotary commander will not interfere with operating the car.
- Do not install the rotary commander in a place where it may jeopardize the safety of the (front) passenger in anyway.
- When installing the rotary commander, be sure not to damage the electrical cables etc. on the other side of the mounting surface.
- Avoid installing the rotary commander where it may be subject to high temperatures, such as from direct sunlight or hot air from the heater etc.



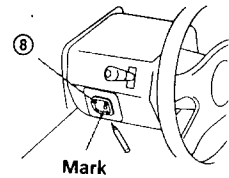
### 1 Choose the exact location for the rotary commander to be mounted, then clean the mounting surface.

Dirt or oil impair the adhesive strength of the double-sided adhesive tape.

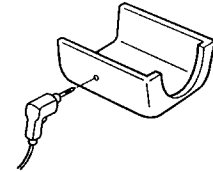


### 2 Mark position for the supplied screw.

Use the screw hole on the mounting hardware ⑧ to mark the position.

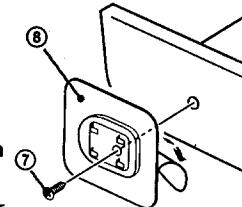


### 3 Remove the steering wheel column cover, and drill 2 mm diameter hole where you have marked.

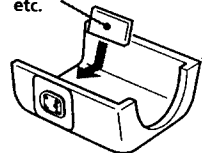


### 4 Warm the mounting surface and the double-sided adhesive tape on the mounting hardware ⑧ to the temperature of 20°C to 30°C, and attach the mounting hardware onto the mounting surface by applying even pressure. Then screw it down with the supplied screw ⑦.

Attach a piece of heavy duty tape etc. on the other side of the mounting surface to cover the protruding tips of the screws so that they will not interfere with the electrical cables etc. inside the steering wheel column.



Heavy duty tape etc.



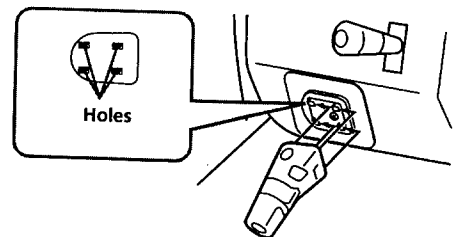
#### Note

Cut the mounting hardware ⑧ if necessary.

### 5 After installing the steering wheel column cover, attach the rotary commander to the mounting hardware by aligning the four holes on the bottom of the rotary commander to the four catches on the mounting hardware and sliding the rotary commander until it locks into place as illustrated.

#### Note

If you are mounting the rotary commander to the steering wheel column, make sure that the protruding tips of the screws on the inner surface of the column do not in anyway hinder or interfere with the movement of the rotating shaft, operative parts of the switches or the electrical cables etc. inside the column.

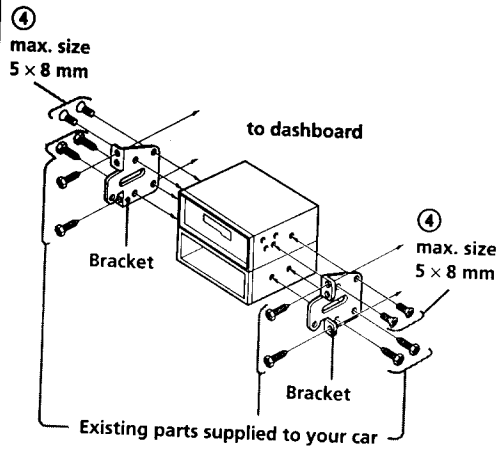




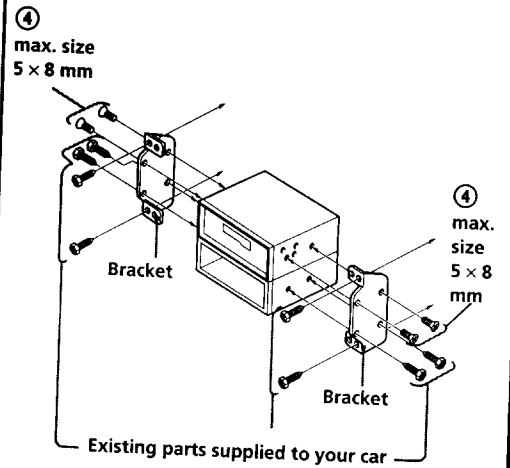
## Mounting the unit in a Japanese car

You may not be able to install this unit in some makes of Japanese cars. In such a case, consult your Sony dealer.

### TOYOTA



### NISSAN



#### Notes

- To prevent malfunction, install only with the supplied screws ④.
- If you cannot mount the unit in the lower tier after cutting off all claws, install it in the upper tier.