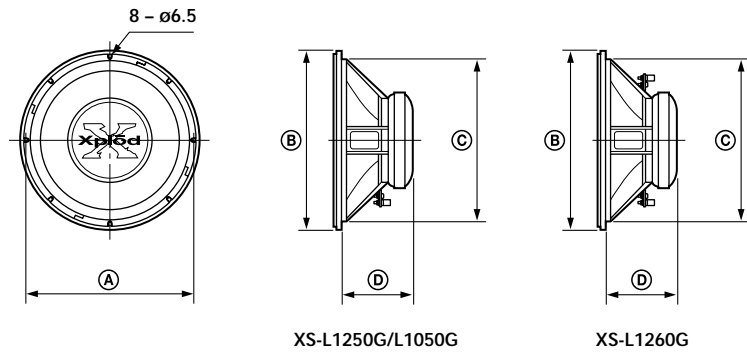


Specifications

	XS-L1260G	XS-L1250G	XS-L1050G
Speaker	Woofer 30 cm (12 in.), cone type	Woofer 30 cm (12 in.), cone type	Woofer 25 cm (10 in.), cone type
Maximum input power	450 watts	450 watts	400 watts
Rated input power	150 watts	150 watts	120 watts
Impedance	2 ohms + 2 ohms	4 ohms	4 ohms
Sensitivity	89 dB/W/m	89 dB/W/m	88 dB/W/m
Frequency response	20 - 3,000 Hz	20 - 3,000 Hz	25 - 3,500 Hz
Mass	Approx. 5.5 kg (11 lb. 2 oz.) per speaker	Approx. 5.5 kg (11 lb. 2 oz.) per speaker	Approx. 3.7 kg (8 lb. 3 oz.) per speaker

Dimensions

Unit: mm (in.)



	A	B	C	D
XS-L1260G /L1250G	$\phi 294$ (11 5/8")	$\phi 310$ (12 1/4")	$\phi 280$ (11 1/8")	122 (4 7/8")
XS-L1050G	$\phi 243$ (9 5/8")	$\phi 258$ (10 1/4")	$\phi 232$ (9 1/4")	109 (4 3/8")

SONY®

3-866-689-01(1)

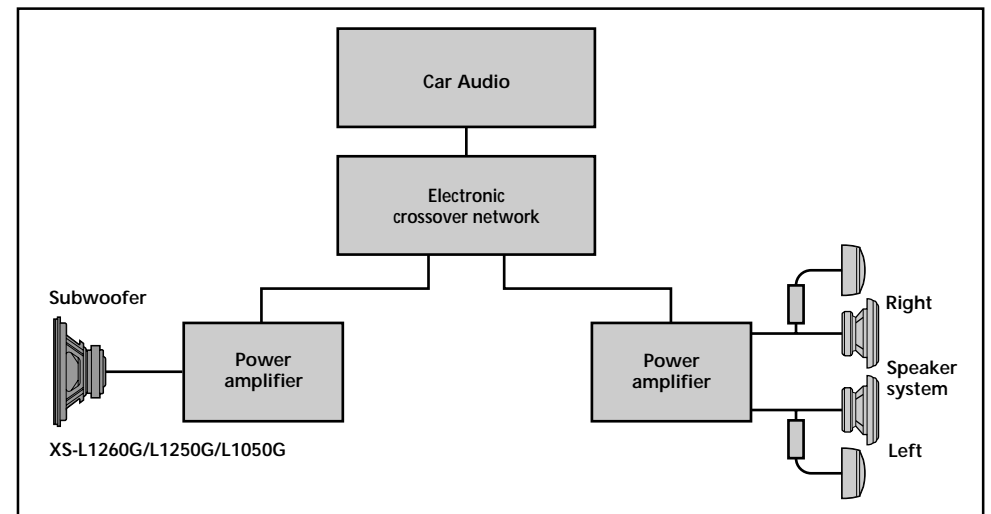
Subwoofer

Installation/Connections

XS-L1260G/L1250G/L1050G

Sony Corporation © 1999 Printed in TAIWAN, R.O.C.

Connections

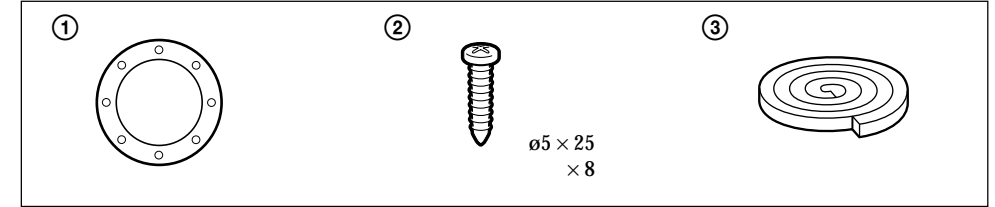


Installation

Precautions

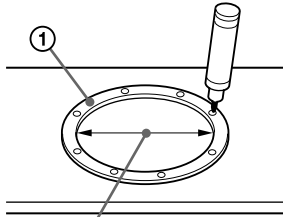
- Be careful not to overload the speaker system beyond its power handling capacity.
- Keep recorded tapes, watches, and credit cards with magnetic coding, etc. away from the speaker system to prevent damage caused by the magnets in the speakers.
- When installing the unit, be careful not to damage the diaphragm by hand or tools.
- The subwoofer is heavy, so attach it firmly to a solid, thick, base plate or metal board.
- When using a parallel connection (speaker impedance: 1 ohm) for the XS-L1260G speaker system, the connected power amplifier should support an output of 1 ohm impedance.

Parts list

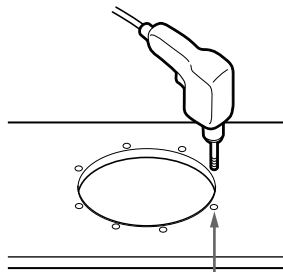


1

Unit: mm (in.)

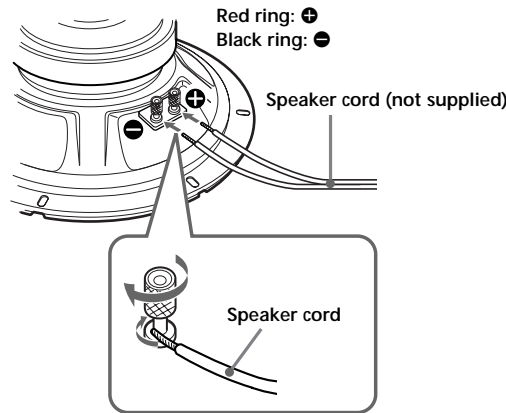


XS-L1050G: ø245 (9 3/4")
 XS-L1260G/XS-L1250G:
 ø 282 (11 1/8")



ø 3.2 (1/8")

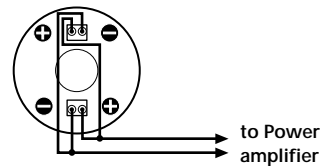
2



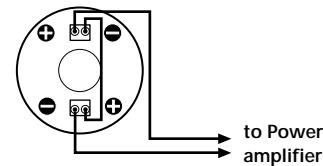
When connecting the speaker cords, be sure to match the polarities of the speaker cords and the terminals on the speakers correctly; refer to the + and - marks engraved on the speaker terminal tab.

When using the XS-L1260G speaker system, you can connect the speaker cords by using either of the two connection methods, a parallel or serial connection as illustrated below.

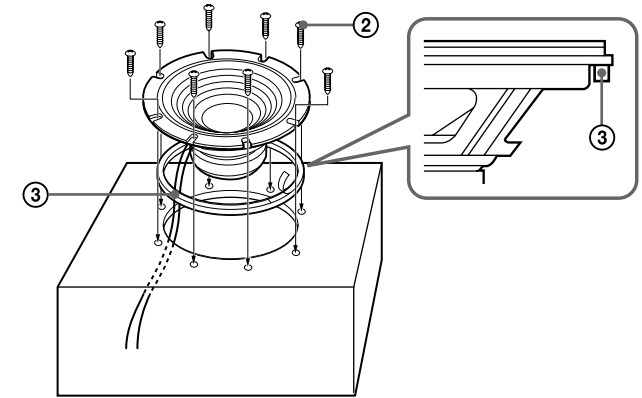
Parallel connection
 (Speaker impedance: 1 ohm)



Serial connection
 (Speaker impedance: 4 ohms)



3



Example

