

**SONY**

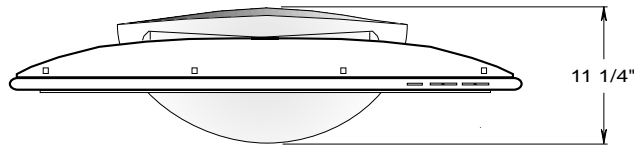
# KE-42TS2

DESCRIPTION: 42" Flat Panel TV  
 DIMENSIONS (WHD): 41 5/8" X 30 1/8" X 5"  
 WEIGHT: 81 lbs 9 oz.

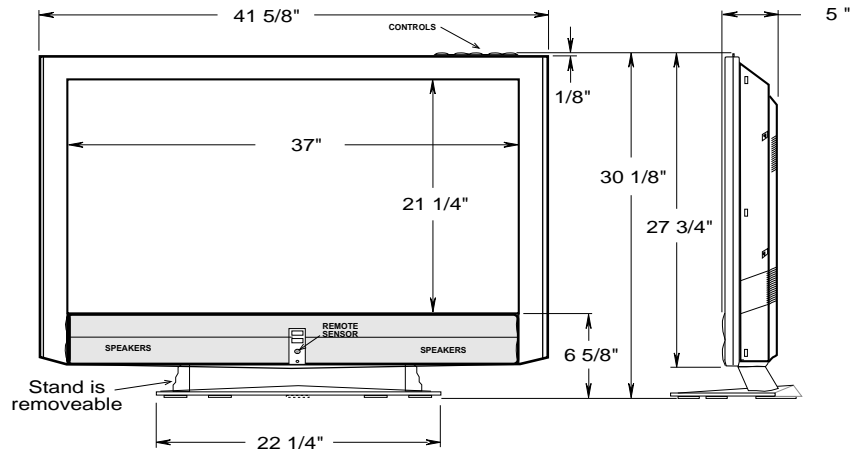
POWER REQUIREMENTS: 120V AC 60Hz  
 POWER CONSUMPTION: 415W 2.9w Sby

## RM-923Y REMOTE CONTROL

**TOP VIEW**

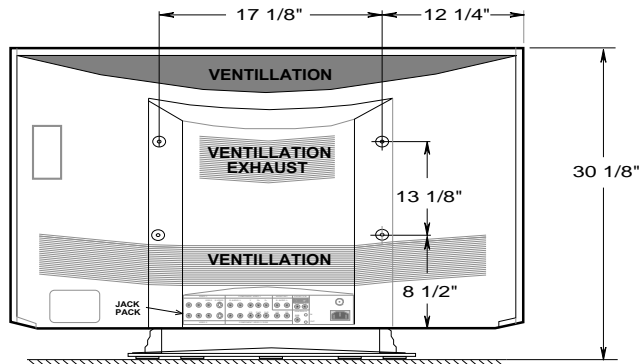


**SIDE VIEW**

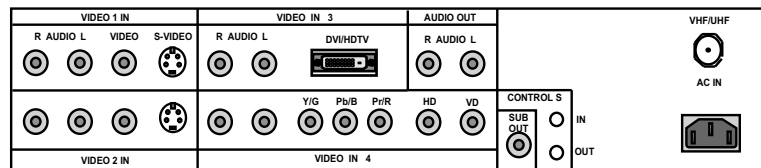


**FRONT VIEW**

**BACK VIEW**



**JACK PACK**



NOTE:  
 WHERE THERE ARE CLOSE TOLERANCES INVOLVED IN CABINET BUILDING OR APPLICATIONS WHICH REQUIRE A GREAT DEGREE OF PRECISION WE RECOMMEND THAT THE PRODUCT ITSELF BE USED TO MAKE THE ACTUAL MEASUREMENTS. SONY WILL NOT BE RESPONSIBLE FOR INACCURACIES IN THE DESIGN OR MANUFACTURE OF ENCLOSURES .