

SONY

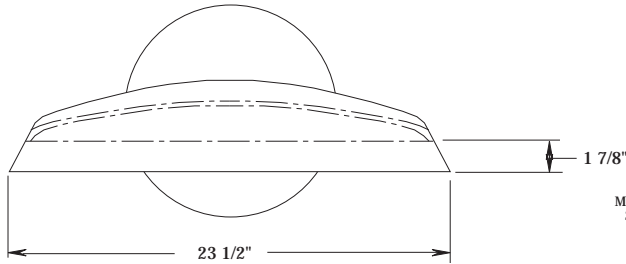
KLV-23HR2

DESCRIPTION: LCD TV
 DIMENSIONS (WHD): 23 1/2" x 20" x 9"*
 WEIGHT: 24 lbs 6 oz w/stand
 22 lbs 1 oz no/stand

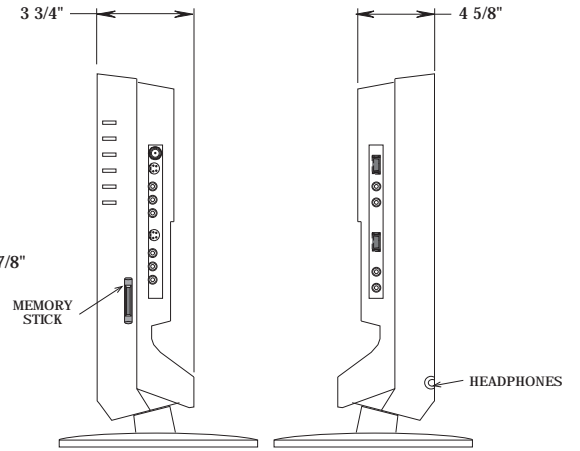
POWER REQUIREMENTS: 120V AC
 60Hz
 CONSUMPTION: 88 W
 1.2 (stby)

RM-Y1105 REMOTE CONTROL

TOP VIEW



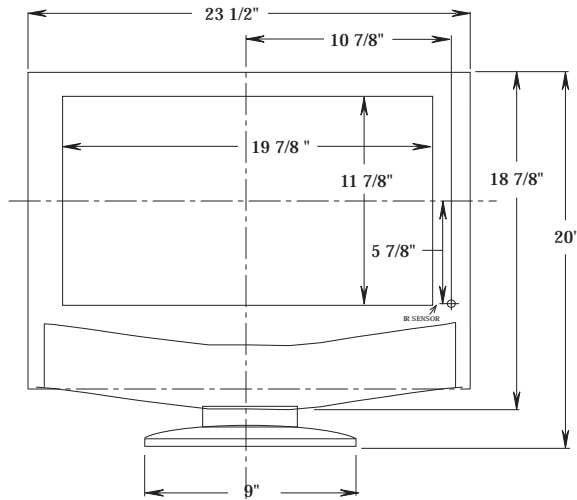
SIDE VIEW



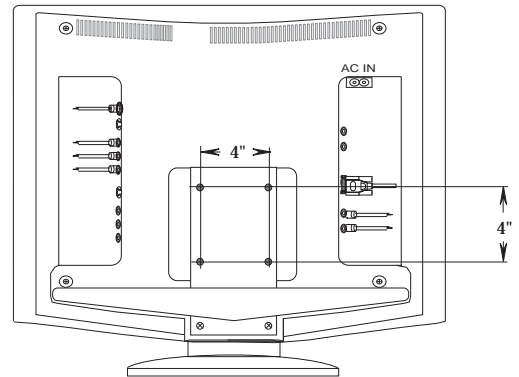
JACK PACK



FRONT VIEW



BACK VIEW



OPTIONAL WALL MOUNT SU-W210

* INCLUDES SUPPLIED STAND

NOTE:

WHERE THERE ARE CLOSE TOLERANCES INVOLVED IN CABINET BUILDING OR APPLICATIONS WHICH REQUIRE A GREAT DEGREE OF PRECISION WE RECOMMEND THAT THE PRODUCT ITSELF BE USED TO MAKE THE ACTUAL MEASUREMENTS. SONY WILL NOT BE RESPONSIBLE FOR INACCURACIES IN THE DESIGN OR MANUFACTURE OF ENCLOSURES .