

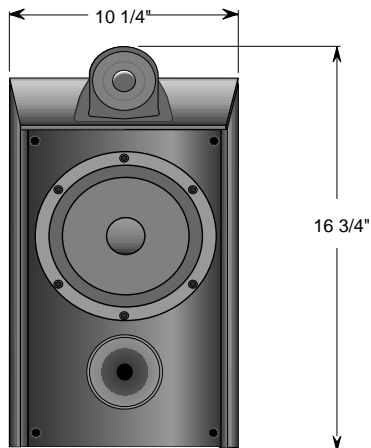
SONY

SSX30ED

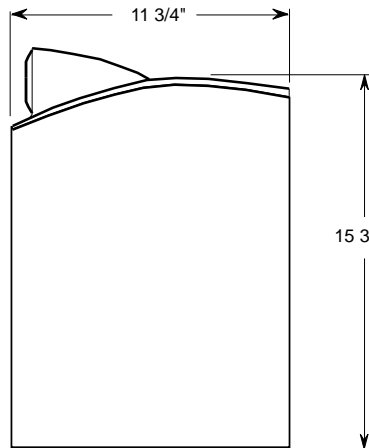
DESCRIPTION: ES High End
Speaker System
DIMENSIONS (WHD): 10 1/4" x 16 1/4" x 11 3/4"
WEIGHT: 26 lbs 8oz

POWER REQUIREMENTS: N/A
POWER HANDLING: 60W@8ohms
150W Max

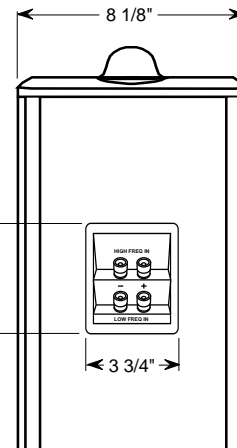
FRONT VIEW



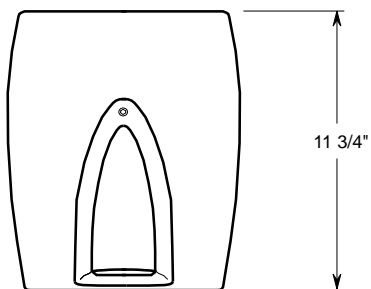
SIDE VIEW



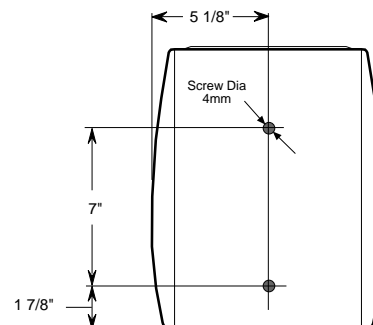
BACKVIEW



TOP VIEW



BOTTOM VIEW



Speaker Grill Not Shown!

NOTE :
WHERE THERE ARE CLOSE TOLERANCES INVOLVED IN CABINET BUILDING OR APPLICATIONS WHICH REQUIRE A GREAT DEGREE OF PRECISION WE RECOMMEND THAT THE PRODUCT ITSELF BE USED TO MAKE THE ACTUAL MEASUREMENTS. SONY WILL NOT BE RESPONSIBLE FOR INACCURACIES IN THE DESIGN OR MANUFACTURE OF ENCLOSURES .